

Product Discontinuation Notices

Power Controllers

April 4, 2011

No. 2011E020

Discontinuation Notice of Power Controllers. G3PX Single-phase series

Product Discontinuation

Recommended Replacement



G3PX Single-phase series

G3PW series

Discontinuation date : The end of March, 2012

Caution on recommended replacement

- The internal control method, G3PX is analog, and G3PW is digital, it is greatly different.
- Outside dimension, the wiring connection, the mounting dimension, and the operation method are greatly different.
- Please refer to the datasheet and the user's manual for details.

Difference from discontinued product

| Model | Body Color | Dimensions | Wire connection | Mounting Dimensions | Characteristics | Operation ratings | Operation methods |
|-------|------------|------------|-----------------|---------------------|-----------------|-------------------|-------------------|
| G3PW | -- | -- | -- | -- | * | * | -- |

** : Fully compatible

* : The change is a little/Almost compatible

-- : Not compatible



- : No corresponding specification

Product Discontinuation and recommended replacement

| Product discontinuation | Recommended replacement |
|-------------------------|-------------------------|
| G3PX-220EUN AC100/200 | G3PW-A220EU-S(C) |
| G3PX-240EUN AC100/200 | G3PW-A245EU-S(C) |
| G3PX-260EUN AC100/200 | G3PW-A260EU-S(C) |
| G3PX-220EH-CT03 | G3PW-A220EC-S(C)-FLK |
| G3PX-220EH-CT10 | G3PW-A220EC-S(C)-FLK |
| G3PX-240EH-CT03 | G3PW-A245EC-S(C)-FLK |
| G3PX-240EH-CT10 | G3PW-A245EC-S(C)-FLK |
| G3PX-260EH-CT03 | G3PW-A260EC-S(C)-FLK |
| G3PX-260EH-CT10 | G3PW-A260EC-S(C)-FLK |
| G3PX-220EHN-CT03 | G3PW-A220EC-S(C)-FLK |
| G3PX-220EHN-CT10 | G3PW-A220EC-S(C)-FLK |
| G3PX-240EHN-CT03 | G3PW-A245EC-S(C)-FLK |
| G3PX-240EHN-CT10 | G3PW-A245EC-S(C)-FLK |
| G3PX-260EHN-CT03 | G3PW-A260EC-S(C)-FLK |
| G3PX-260EHN-CT10 | G3PW-A260EC-S(C)-FLK |
| G3PX-220EC-CT03 | G3PW-A220EC-S(C)-FLK |
| G3PX-220EC-CT10 | G3PW-A220EC-S(C)-FLK |
| G3PX-240EC-CT03 | G3PW-A245EC-S(C)-FLK |
| G3PX-240EC-CT10 | G3PW-A245EC-S(C)-FLK |
| G3PX-260EC-CT03 | G3PW-A260EC-S(C)-FLK |
| G3PX-260EC-CT10 | G3PW-A260EC-S(C)-FLK |

Note. G3PW-[]-S is screw terminal mode, G3PW-[]-C is screw-less clamp terminal model.

Body color

| Product discontinuation G3PX Single-phase | Recommendable replacement G3PW |
|---|--|
| <p>Color of body: Ivory</p>  | <p>Color of body: Black</p>  |

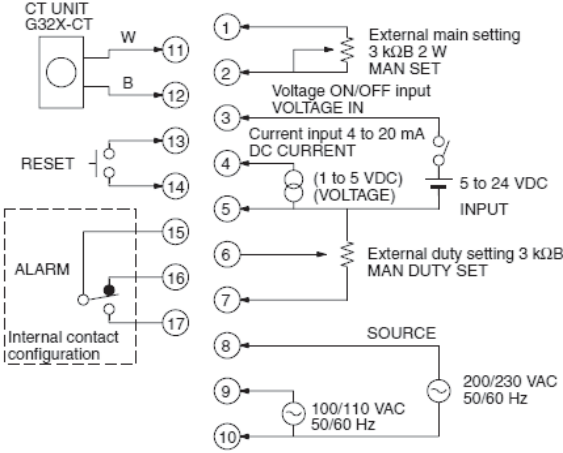
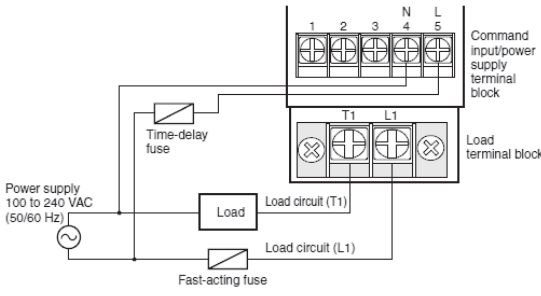
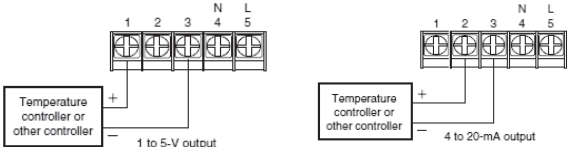
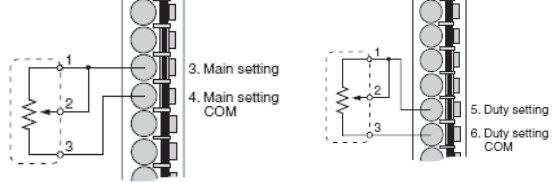
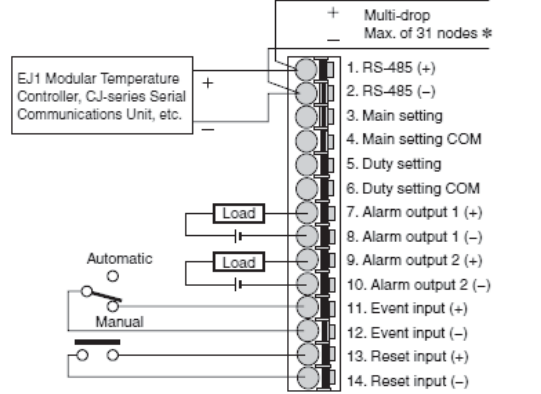
Dimensions

| Product discontinuation G3PX Single-phase | Recommendable replacement G3PW |
|--|-----------------------------------|
| <p>G3PX-220E series</p> | <p>G3PW-A220E series</p> |
| <p>G3PX-240E series</p> | <p>G3PW-A245E series</p> |
| <p>G3PX-260E series</p> | <p>G3PW-A260E series</p> |

Wire Connection

| Product discontinuation G3PX Single-phase | Recommendable replacement G3PW |
|--|---|
| <p>G3PX-220/240/260EUN series</p> | <p>G3PW series</p> <p>1) Wiring the power supply and load circuits</p> <p>2) Command input and power supply terminal wiring</p> <p>1. Voltage input 2. Current input</p> <p>3) Wiring input for external settings</p> <p>1. Wiring to adjust the main setting 2. Wiring to adjust the duty setting</p> <p>4) Terminal Names</p> <p>For standard models, 1 and 2 are not used.</p> |

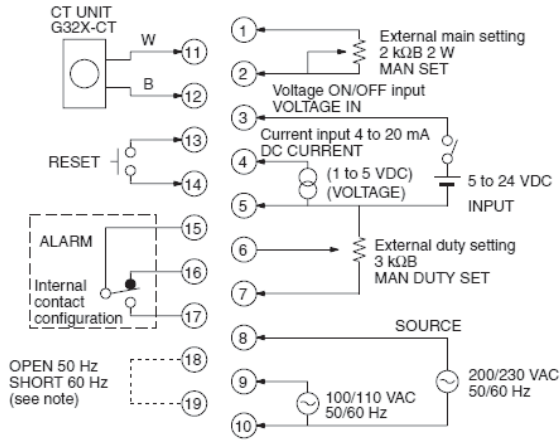
Wire Connection

| Product discontinuation G3PX Single-phase | Recommendable replacement G3PW |
|--|--|
| <p data-bbox="244 389 598 421">G3PX-220/240/260EH series</p>  <p data-bbox="209 456 774 907"> CT UNIT G32X-CT terminals: W (11), B (12) RESET terminals: (13), (14) ALARM terminals: (15), (16), (17) Internal contact configuration: (15), (16), (17) Terminal 1: External main setting 3 kΩB 2 W MAN SET Terminal 2: Voltage ON/OFF input VOLTAGE IN Terminal 3: Current input 4 to 20 mA DC CURRENT Terminal 4: (1 to 5 VDC) (VOLTAGE) Terminal 5: 5 to 24 VDC INPUT Terminal 6: External duty setting 3 kΩB MAN DUTY SET Terminal 7: External duty setting 3 kΩB MAN DUTY SET Terminal 8: SOURCE Terminal 9: 100/110 VAC 50/60 Hz Terminal 10: 200/230 VAC 50/60 Hz </p> | <p data-bbox="882 389 1045 421">G3PW series</p> <p data-bbox="882 421 1444 452">1) Wiring the power supply and load circuits</p>  <p data-bbox="869 456 1412 750"> Power supply: 100 to 240 VAC (50/60 Hz) Time-delay fuse Fast-acting fuse Load circuit (T1) Load circuit (L1) Command input/power supply terminal block (terminals 1, 2, 3, 4, 5) Load terminal block (terminals T1, L1) </p> <p data-bbox="882 790 1460 857">2) Command input and power supply terminal wiring</p> <p data-bbox="882 857 1085 889">1. Voltage input</p> <p data-bbox="1157 857 1364 889">2. Current input</p>  <p data-bbox="837 896 1412 1041"> Temperature controller or other controller + - 1 to 5-V output 4 to 20-mA output </p> <p data-bbox="882 1113 1332 1144">3) Wiring input for external settings</p> <p data-bbox="882 1144 1117 1211">1. Wiring to adjust the main setting</p> <p data-bbox="1157 1144 1396 1211">2. Wiring to adjust the duty setting</p>  <p data-bbox="837 1220 1396 1400"> 3. Main setting 4. Main setting COM 5. Duty setting 6. Duty setting COM </p> <p data-bbox="882 1476 1125 1507">4) Terminal Names</p>  <p data-bbox="869 1523 1412 1915"> + Multi-drop - Max. of 31 nodes * 1. RS-485 (+) 2. RS-485 (-) 3. Main setting 4. Main setting COM 5. Duty setting 6. Duty setting COM 7. Alarm output 1 (+) 8. Alarm output 1 (-) 9. Alarm output 2 (+) 10. Alarm output 2 (-) 11. Event input (+) 12. Event input (-) 13. Reset input (+) 14. Reset input (-) </p> <p data-bbox="1212 1915 1412 1960">For standard models, 1 and 2 are not used.</p> |

Wire Connection

Product discontinuation G3PX Single-phase

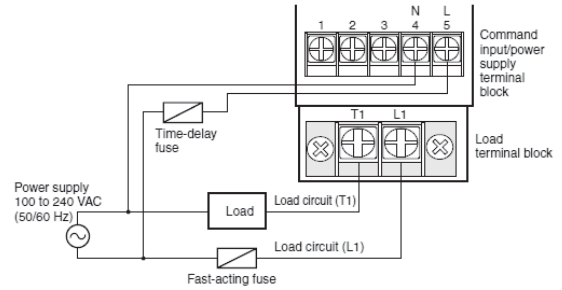
G3PX-220/240/260EHN series
G3PX-220/240/260EC series



Recommendable replacement G3PW

G3PW series

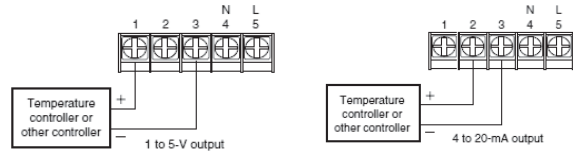
1) Wiring the power supply and load circuits



2) Command input and power supply terminal wiring

1. Voltage input

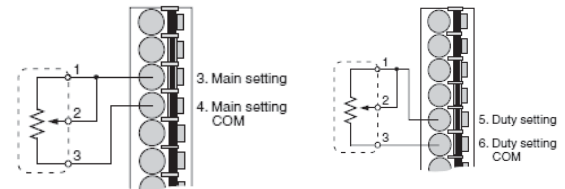
2. Current input



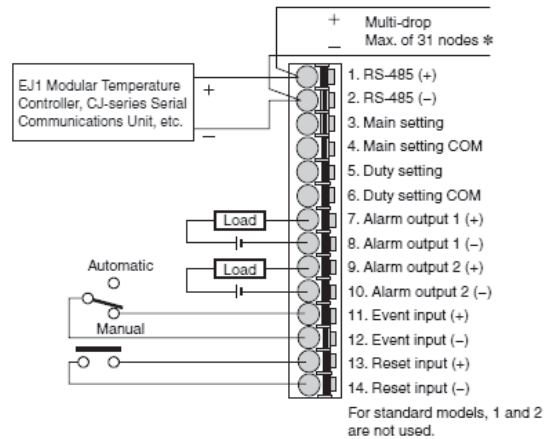
3) Wiring input for external settings

1. Wiring to adjust the main setting

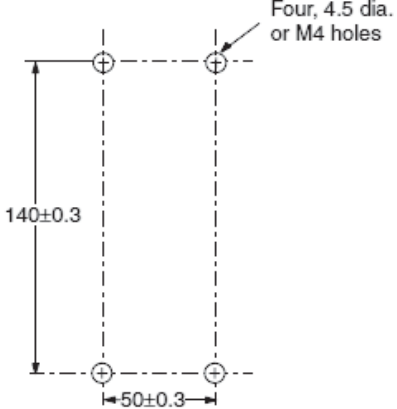
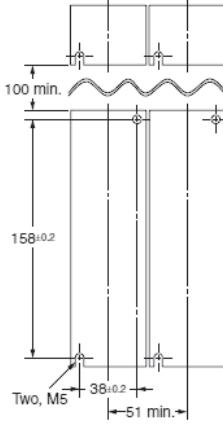
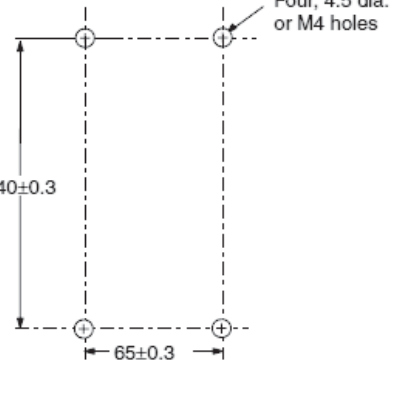
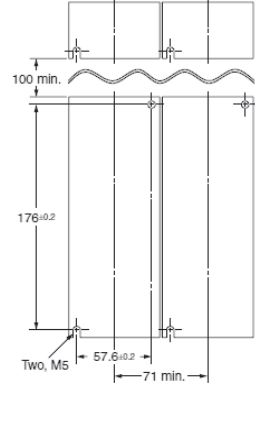
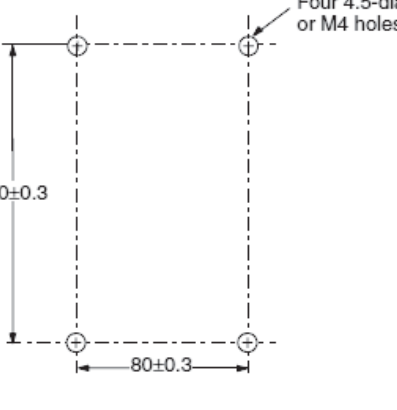
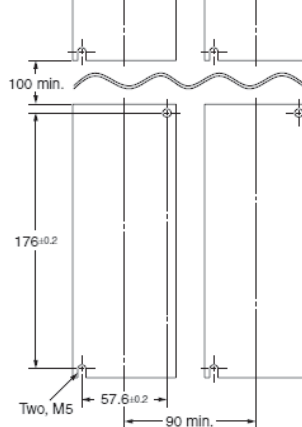
2. Wiring to adjust the duty setting



4) Terminal Names



Mounting dimensions

| Product discontinuation G3PX Single-phase | Recommendable replacement G3PW |
|--|--|
| <p>G3PX-220E series</p>  <p>Four, 4.5 dia. or M4 holes</p> <p>140±0.3</p> <p>50±0.3</p> | <p>G3PW-A220E series</p>  <p>100 min.</p> <p>158±0.2</p> <p>Two, M5</p> <p>38±0.2</p> <p>51 min.</p> |
| <p>G3PX-240E series</p>  <p>Four, 4.5 dia. or M4 holes</p> <p>140±0.3</p> <p>65±0.3</p> | <p>G3PW-A245E series</p>  <p>100 min.</p> <p>176±0.2</p> <p>Two, M5</p> <p>57.6±0.2</p> <p>71 min.</p> |
| <p>G3PX-260E series</p> <p>Mounting Holes</p>  <p>Four 4.5-dia. or M4 holes</p> <p>140±0.3</p> <p>80±0.3</p> | <p>G3PW-A260E series</p>  <p>100 min.</p> <p>176±0.2</p> <p>Two, M5</p> <p>57.6±0.2</p> <p>90 min.</p> |

Characteristics

| Product discontinuation G3PX Single-phase | | Recommendable replacement G3PW | | | | | | | | | | | | | | | | | | | | | | | | | | | | | | | | | | | | | | | | | | | |
|--|-----------------------|---|--|-------------|---------------|--|--------------------|-----------|--|---------|--------------------------|-----------------------|------------------------|---------------|-------------------------|----------------------|------------|-----------------------|------------------------|------------------|--|-----------------|--|--|------|--|-------------|---------------|--|--------------------|-----------|--|---------|--------------------------|-----------------------|------------------------|---------------|-------------------------|----------------------|------------|-----------------------|------------------------|------------------|--|--------------------------------------|
| Ratings | | | | | | | | | | | | | | | | | | | | | | | | | | | | | | | | | | | | | | | | | | | | | |
| G3PX-EUN series | | G3PW-EU series (Standard type) | | | | | | | | | | | | | | | | | | | | | | | | | | | | | | | | | | | | | | | | | | | |
| <table border="1"> <thead> <tr> <th colspan="2">Item</th> <th>Rated value</th> </tr> </thead> <tbody> <tr> <td colspan="2">Rated voltage</td> <td>AC100/110/200/220V</td> </tr> <tr> <td colspan="2">Frequency</td> <td>50/60Hz</td> </tr> <tr> <td rowspan="4">Input signal for control</td> <td>External main setting</td> <td>2kΩ (B-Characteristic)</td> </tr> <tr> <td>Current input</td> <td>DC4 to 20mA (DC1 to 5V)</td> </tr> <tr> <td>Voltage ON/OFF Input</td> <td>DC5 to 24V</td> </tr> <tr> <td>External duty setting</td> <td>3kΩ (B-Characteristic)</td> </tr> <tr> <td colspan="2">Output for alarm</td> <td>1c Relay output</td> </tr> </tbody> </table> | | Item | | Rated value | Rated voltage | | AC100/110/200/220V | Frequency | | 50/60Hz | Input signal for control | External main setting | 2kΩ (B-Characteristic) | Current input | DC4 to 20mA (DC1 to 5V) | Voltage ON/OFF Input | DC5 to 24V | External duty setting | 3kΩ (B-Characteristic) | Output for alarm | | 1c Relay output | <table border="1"> <thead> <tr> <th colspan="2">Item</th> <th>Rated value</th> </tr> </thead> <tbody> <tr> <td colspan="2">Rated voltage</td> <td>AC100/110/200/220V</td> </tr> <tr> <td colspan="2">Frequency</td> <td>50/60Hz</td> </tr> <tr> <td rowspan="4">Input signal for control</td> <td>External main setting</td> <td>2kΩ (B-Characteristic)</td> </tr> <tr> <td>Current input</td> <td>DC4 to 20mA (DC1 to 5V)</td> </tr> <tr> <td>Voltage ON/OFF Input</td> <td>DC5 to 24V</td> </tr> <tr> <td>External duty setting</td> <td>2kΩ (B-Characteristic)</td> </tr> <tr> <td colspan="2">Output for alarm</td> <td>Two output: Open-collector output</td> </tr> </tbody> </table> | | Item | | Rated value | Rated voltage | | AC100/110/200/220V | Frequency | | 50/60Hz | Input signal for control | External main setting | 2kΩ (B-Characteristic) | Current input | DC4 to 20mA (DC1 to 5V) | Voltage ON/OFF Input | DC5 to 24V | External duty setting | 2kΩ (B-Characteristic) | Output for alarm | | Two output: Open-collector output |
| Item | | Rated value | | | | | | | | | | | | | | | | | | | | | | | | | | | | | | | | | | | | | | | | | | | |
| Rated voltage | | AC100/110/200/220V | | | | | | | | | | | | | | | | | | | | | | | | | | | | | | | | | | | | | | | | | | | |
| Frequency | | 50/60Hz | | | | | | | | | | | | | | | | | | | | | | | | | | | | | | | | | | | | | | | | | | | |
| Input signal for control | External main setting | 2kΩ (B-Characteristic) | | | | | | | | | | | | | | | | | | | | | | | | | | | | | | | | | | | | | | | | | | | |
| | Current input | DC4 to 20mA (DC1 to 5V) | | | | | | | | | | | | | | | | | | | | | | | | | | | | | | | | | | | | | | | | | | | |
| | Voltage ON/OFF Input | DC5 to 24V | | | | | | | | | | | | | | | | | | | | | | | | | | | | | | | | | | | | | | | | | | | |
| | External duty setting | 3kΩ (B-Characteristic) | | | | | | | | | | | | | | | | | | | | | | | | | | | | | | | | | | | | | | | | | | | |
| Output for alarm | | 1c Relay output | | | | | | | | | | | | | | | | | | | | | | | | | | | | | | | | | | | | | | | | | | | |
| Item | | Rated value | | | | | | | | | | | | | | | | | | | | | | | | | | | | | | | | | | | | | | | | | | | |
| Rated voltage | | AC100/110/200/220V | | | | | | | | | | | | | | | | | | | | | | | | | | | | | | | | | | | | | | | | | | | |
| Frequency | | 50/60Hz | | | | | | | | | | | | | | | | | | | | | | | | | | | | | | | | | | | | | | | | | | | |
| Input signal for control | External main setting | 2kΩ (B-Characteristic) | | | | | | | | | | | | | | | | | | | | | | | | | | | | | | | | | | | | | | | | | | | |
| | Current input | DC4 to 20mA (DC1 to 5V) | | | | | | | | | | | | | | | | | | | | | | | | | | | | | | | | | | | | | | | | | | | |
| | Voltage ON/OFF Input | DC5 to 24V | | | | | | | | | | | | | | | | | | | | | | | | | | | | | | | | | | | | | | | | | | | |
| | External duty setting | 2kΩ (B-Characteristic) | | | | | | | | | | | | | | | | | | | | | | | | | | | | | | | | | | | | | | | | | | | |
| Output for alarm | | Two output: Open-collector output | | | | | | | | | | | | | | | | | | | | | | | | | | | | | | | | | | | | | | | | | | | |
| G3PX-EH series (Type for one heater open detection) | | G3PW-EC series (Type for constant current) | | | | | | | | | | | | | | | | | | | | | | | | | | | | | | | | | | | | | | | | | | | |
| <table border="1"> <thead> <tr> <th colspan="2">Item</th> <th>Rated value</th> </tr> </thead> <tbody> <tr> <td colspan="2">Rated voltage</td> <td>AC100/110/200/220V</td> </tr> <tr> <td colspan="2">Frequency</td> <td>50/60Hz</td> </tr> <tr> <td rowspan="4">Input signal for control</td> <td>External main setting</td> <td>3kΩ (B-Characteristic)</td> </tr> <tr> <td>Current input</td> <td>DC4 to 20mA (DC1 to 5V)</td> </tr> <tr> <td>Voltage ON/OFF Input</td> <td>DC5 to 24V</td> </tr> <tr> <td>External duty setting</td> <td>3kΩ (B-Characteristic)</td> </tr> <tr> <td colspan="2">Output for alarm</td> <td>1c Relay output</td> </tr> </tbody> </table> | | Item | | Rated value | Rated voltage | | AC100/110/200/220V | Frequency | | 50/60Hz | Input signal for control | External main setting | 3kΩ (B-Characteristic) | Current input | DC4 to 20mA (DC1 to 5V) | Voltage ON/OFF Input | DC5 to 24V | External duty setting | 3kΩ (B-Characteristic) | Output for alarm | | 1c Relay output | <table border="1"> <thead> <tr> <th colspan="2">Item</th> <th>Rated value</th> </tr> </thead> <tbody> <tr> <td colspan="2">Rated voltage</td> <td>AC100/110/200/220V</td> </tr> <tr> <td colspan="2">Frequency</td> <td>50/60Hz</td> </tr> <tr> <td rowspan="4">Input signal for control</td> <td>External main setting</td> <td>2kΩ (B-Characteristic)</td> </tr> <tr> <td>Current input</td> <td>DC4 to 20mA (DC1 to 5V)</td> </tr> <tr> <td>Voltage ON/OFF Input</td> <td>DC5 to 24V</td> </tr> <tr> <td>External duty setting</td> <td>2kΩ (B-Characteristic)</td> </tr> <tr> <td colspan="2">Output for alarm</td> <td>Two output: Open-collector output</td> </tr> </tbody> </table> | | Item | | Rated value | Rated voltage | | AC100/110/200/220V | Frequency | | 50/60Hz | Input signal for control | External main setting | 2kΩ (B-Characteristic) | Current input | DC4 to 20mA (DC1 to 5V) | Voltage ON/OFF Input | DC5 to 24V | External duty setting | 2kΩ (B-Characteristic) | Output for alarm | | Two output: Open-collector output |
| Item | | Rated value | | | | | | | | | | | | | | | | | | | | | | | | | | | | | | | | | | | | | | | | | | | |
| Rated voltage | | AC100/110/200/220V | | | | | | | | | | | | | | | | | | | | | | | | | | | | | | | | | | | | | | | | | | | |
| Frequency | | 50/60Hz | | | | | | | | | | | | | | | | | | | | | | | | | | | | | | | | | | | | | | | | | | | |
| Input signal for control | External main setting | 3kΩ (B-Characteristic) | | | | | | | | | | | | | | | | | | | | | | | | | | | | | | | | | | | | | | | | | | | |
| | Current input | DC4 to 20mA (DC1 to 5V) | | | | | | | | | | | | | | | | | | | | | | | | | | | | | | | | | | | | | | | | | | | |
| | Voltage ON/OFF Input | DC5 to 24V | | | | | | | | | | | | | | | | | | | | | | | | | | | | | | | | | | | | | | | | | | | |
| | External duty setting | 3kΩ (B-Characteristic) | | | | | | | | | | | | | | | | | | | | | | | | | | | | | | | | | | | | | | | | | | | |
| Output for alarm | | 1c Relay output | | | | | | | | | | | | | | | | | | | | | | | | | | | | | | | | | | | | | | | | | | | |
| Item | | Rated value | | | | | | | | | | | | | | | | | | | | | | | | | | | | | | | | | | | | | | | | | | | |
| Rated voltage | | AC100/110/200/220V | | | | | | | | | | | | | | | | | | | | | | | | | | | | | | | | | | | | | | | | | | | |
| Frequency | | 50/60Hz | | | | | | | | | | | | | | | | | | | | | | | | | | | | | | | | | | | | | | | | | | | |
| Input signal for control | External main setting | 2kΩ (B-Characteristic) | | | | | | | | | | | | | | | | | | | | | | | | | | | | | | | | | | | | | | | | | | | |
| | Current input | DC4 to 20mA (DC1 to 5V) | | | | | | | | | | | | | | | | | | | | | | | | | | | | | | | | | | | | | | | | | | | |
| | Voltage ON/OFF Input | DC5 to 24V | | | | | | | | | | | | | | | | | | | | | | | | | | | | | | | | | | | | | | | | | | | |
| | External duty setting | 2kΩ (B-Characteristic) | | | | | | | | | | | | | | | | | | | | | | | | | | | | | | | | | | | | | | | | | | | |
| Output for alarm | | Two output: Open-collector output | | | | | | | | | | | | | | | | | | | | | | | | | | | | | | | | | | | | | | | | | | | |

Characteristics

| Product discontinuation G3PX Single-phase | | Recommendable replacement G3PW | | | | | | | | | | | | | | | | | | | | | | | | | | | | | | | | | | | | | | | | | | | |
|--|-----------------------|--|--|-------------|---------------|--|--------------------|-----------|--|---------|--------------------------|-----------------------|-----------------------------------|---------------|----------------------------|----------------------|------------|-----------------------|-----------------------------------|------------------|--|-----------------|--|--|------|--|-------------|---------------|--|--------------------|-----------|--|---------|--------------------------|-----------------------|-----------------------------------|---------------|----------------------------|----------------------|------------|-----------------------|-----------------------------------|------------------|--|--------------------------------------|
| Ratings G3PX-EHN series (Type for two or more heater open detection) | | G3PW-EC series (Type for constant current) | | | | | | | | | | | | | | | | | | | | | | | | | | | | | | | | | | | | | | | | | | | |
| <table border="1"> <thead> <tr> <th colspan="2">Item</th> <th>Rated value</th> </tr> </thead> <tbody> <tr> <td colspan="2">Rated voltage</td> <td>AC100/110/200/220V</td> </tr> <tr> <td colspan="2">Frequency</td> <td>50/60Hz</td> </tr> <tr> <td rowspan="4">Input signal for control</td> <td>External main setting</td> <td>2kΩ (B-Characteristic)</td> </tr> <tr> <td>Current input</td> <td>DC4 to 20mA (DC1 to 5V)</td> </tr> <tr> <td>Voltage ON/OFF Input</td> <td>DC5 to 24V</td> </tr> <tr> <td>External duty setting</td> <td>3kΩ (B-Characteristic)</td> </tr> <tr> <td colspan="2">Output for alarm</td> <td>1c Relay output</td> </tr> </tbody> </table> | | Item | | Rated value | Rated voltage | | AC100/110/200/220V | Frequency | | 50/60Hz | Input signal for control | External main setting | 2k Ω (B-Characteristic) | Current input | DC4 to 20mA (DC1 to 5V) | Voltage ON/OFF Input | DC5 to 24V | External duty setting | 3k Ω (B-Characteristic) | Output for alarm | | 1c Relay output | <table border="1"> <thead> <tr> <th colspan="2">Item</th> <th>Rated value</th> </tr> </thead> <tbody> <tr> <td colspan="2">Rated voltage</td> <td>AC100/110/200/220V</td> </tr> <tr> <td colspan="2">Frequency</td> <td>50/60Hz</td> </tr> <tr> <td rowspan="4">Input signal for control</td> <td>External main setting</td> <td>2kΩ (B-Characteristic)</td> </tr> <tr> <td>Current input</td> <td>DC4 to 20mA (DC1 to 5V)</td> </tr> <tr> <td>Voltage ON/OFF Input</td> <td>DC5 to 24V</td> </tr> <tr> <td>External duty setting</td> <td>2kΩ (B-Characteristic)</td> </tr> <tr> <td colspan="2">Output for alarm</td> <td>Two output: Open-collector output</td> </tr> </tbody> </table> | | Item | | Rated value | Rated voltage | | AC100/110/200/220V | Frequency | | 50/60Hz | Input signal for control | External main setting | 2k Ω (B-Characteristic) | Current input | DC4 to 20mA (DC1 to 5V) | Voltage ON/OFF Input | DC5 to 24V | External duty setting | 2k Ω (B-Characteristic) | Output for alarm | | Two output: Open-collector output |
| Item | | Rated value | | | | | | | | | | | | | | | | | | | | | | | | | | | | | | | | | | | | | | | | | | | |
| Rated voltage | | AC100/110/200/220V | | | | | | | | | | | | | | | | | | | | | | | | | | | | | | | | | | | | | | | | | | | |
| Frequency | | 50/60Hz | | | | | | | | | | | | | | | | | | | | | | | | | | | | | | | | | | | | | | | | | | | |
| Input signal for control | External main setting | 2k Ω (B-Characteristic) | | | | | | | | | | | | | | | | | | | | | | | | | | | | | | | | | | | | | | | | | | | |
| | Current input | DC4 to 20mA (DC1 to 5V) | | | | | | | | | | | | | | | | | | | | | | | | | | | | | | | | | | | | | | | | | | | |
| | Voltage ON/OFF Input | DC5 to 24V | | | | | | | | | | | | | | | | | | | | | | | | | | | | | | | | | | | | | | | | | | | |
| | External duty setting | 3k Ω (B-Characteristic) | | | | | | | | | | | | | | | | | | | | | | | | | | | | | | | | | | | | | | | | | | | |
| Output for alarm | | 1c Relay output | | | | | | | | | | | | | | | | | | | | | | | | | | | | | | | | | | | | | | | | | | | |
| Item | | Rated value | | | | | | | | | | | | | | | | | | | | | | | | | | | | | | | | | | | | | | | | | | | |
| Rated voltage | | AC100/110/200/220V | | | | | | | | | | | | | | | | | | | | | | | | | | | | | | | | | | | | | | | | | | | |
| Frequency | | 50/60Hz | | | | | | | | | | | | | | | | | | | | | | | | | | | | | | | | | | | | | | | | | | | |
| Input signal for control | External main setting | 2k Ω (B-Characteristic) | | | | | | | | | | | | | | | | | | | | | | | | | | | | | | | | | | | | | | | | | | | |
| | Current input | DC4 to 20mA (DC1 to 5V) | | | | | | | | | | | | | | | | | | | | | | | | | | | | | | | | | | | | | | | | | | | |
| | Voltage ON/OFF Input | DC5 to 24V | | | | | | | | | | | | | | | | | | | | | | | | | | | | | | | | | | | | | | | | | | | |
| | External duty setting | 2k Ω (B-Characteristic) | | | | | | | | | | | | | | | | | | | | | | | | | | | | | | | | | | | | | | | | | | | |
| Output for alarm | | Two output: Open-collector output | | | | | | | | | | | | | | | | | | | | | | | | | | | | | | | | | | | | | | | | | | | |
| G3PX-EC series (Type for constant current) | | G3PW-EC series (Type for constant current) | | | | | | | | | | | | | | | | | | | | | | | | | | | | | | | | | | | | | | | | | | | |
| <table border="1"> <thead> <tr> <th colspan="2">Item</th> <th>Rated value</th> </tr> </thead> <tbody> <tr> <td colspan="2">Rated voltage</td> <td>AC100/110/200/220V</td> </tr> <tr> <td colspan="2">Frequency</td> <td>50/60Hz</td> </tr> <tr> <td rowspan="4">Input signal for control</td> <td>External main setting</td> <td>2kΩ (B-Characteristic)</td> </tr> <tr> <td>Current input</td> <td>DC4 to 20mA (DC1 to 5V)</td> </tr> <tr> <td>Voltage ON/OFF Input</td> <td>DC5 to 24V</td> </tr> <tr> <td>External duty setting</td> <td>3kΩ (B-Characteristic)</td> </tr> <tr> <td colspan="2">Output for alarm</td> <td>1c Relay output</td> </tr> </tbody> </table> | | Item | | Rated value | Rated voltage | | AC100/110/200/220V | Frequency | | 50/60Hz | Input signal for control | External main setting | 2k Ω (B-Characteristic) | Current input | DC4 to 20mA (DC1 to 5V) | Voltage ON/OFF Input | DC5 to 24V | External duty setting | 3k Ω (B-Characteristic) | Output for alarm | | 1c Relay output | <table border="1"> <thead> <tr> <th colspan="2">Item</th> <th>Rated value</th> </tr> </thead> <tbody> <tr> <td colspan="2">Rated voltage</td> <td>AC100/110/200/220V</td> </tr> <tr> <td colspan="2">Frequency</td> <td>50/60Hz</td> </tr> <tr> <td rowspan="4">Input signal for control</td> <td>External main setting</td> <td>2kΩ (B-Characteristic)</td> </tr> <tr> <td>Current input</td> <td>DC4 to 20mA (DC1 to 5V)</td> </tr> <tr> <td>Voltage ON/OFF Input</td> <td>DC5 to 24V</td> </tr> <tr> <td>External duty setting</td> <td>2kΩ (B-Characteristic)</td> </tr> <tr> <td colspan="2">Output for alarm</td> <td>Two output: Open-collector output</td> </tr> </tbody> </table> | | Item | | Rated value | Rated voltage | | AC100/110/200/220V | Frequency | | 50/60Hz | Input signal for control | External main setting | 2k Ω (B-Characteristic) | Current input | DC4 to 20mA (DC1 to 5V) | Voltage ON/OFF Input | DC5 to 24V | External duty setting | 2k Ω (B-Characteristic) | Output for alarm | | Two output: Open-collector output |
| Item | | Rated value | | | | | | | | | | | | | | | | | | | | | | | | | | | | | | | | | | | | | | | | | | | |
| Rated voltage | | AC100/110/200/220V | | | | | | | | | | | | | | | | | | | | | | | | | | | | | | | | | | | | | | | | | | | |
| Frequency | | 50/60Hz | | | | | | | | | | | | | | | | | | | | | | | | | | | | | | | | | | | | | | | | | | | |
| Input signal for control | External main setting | 2k Ω (B-Characteristic) | | | | | | | | | | | | | | | | | | | | | | | | | | | | | | | | | | | | | | | | | | | |
| | Current input | DC4 to 20mA (DC1 to 5V) | | | | | | | | | | | | | | | | | | | | | | | | | | | | | | | | | | | | | | | | | | | |
| | Voltage ON/OFF Input | DC5 to 24V | | | | | | | | | | | | | | | | | | | | | | | | | | | | | | | | | | | | | | | | | | | |
| | External duty setting | 3k Ω (B-Characteristic) | | | | | | | | | | | | | | | | | | | | | | | | | | | | | | | | | | | | | | | | | | | |
| Output for alarm | | 1c Relay output | | | | | | | | | | | | | | | | | | | | | | | | | | | | | | | | | | | | | | | | | | | |
| Item | | Rated value | | | | | | | | | | | | | | | | | | | | | | | | | | | | | | | | | | | | | | | | | | | |
| Rated voltage | | AC100/110/200/220V | | | | | | | | | | | | | | | | | | | | | | | | | | | | | | | | | | | | | | | | | | | |
| Frequency | | 50/60Hz | | | | | | | | | | | | | | | | | | | | | | | | | | | | | | | | | | | | | | | | | | | |
| Input signal for control | External main setting | 2k Ω (B-Characteristic) | | | | | | | | | | | | | | | | | | | | | | | | | | | | | | | | | | | | | | | | | | | |
| | Current input | DC4 to 20mA (DC1 to 5V) | | | | | | | | | | | | | | | | | | | | | | | | | | | | | | | | | | | | | | | | | | | |
| | Voltage ON/OFF Input | DC5 to 24V | | | | | | | | | | | | | | | | | | | | | | | | | | | | | | | | | | | | | | | | | | | |
| | External duty setting | 2k Ω (B-Characteristic) | | | | | | | | | | | | | | | | | | | | | | | | | | | | | | | | | | | | | | | | | | | |
| Output for alarm | | Two output: Open-collector output | | | | | | | | | | | | | | | | | | | | | | | | | | | | | | | | | | | | | | | | | | | |

Characteristics

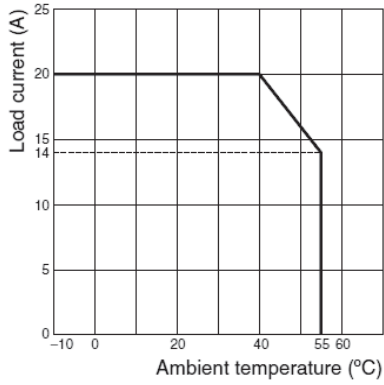
Performance

| Item | Product discontinuation G3PX Single-phase | Recommendable replacement G3PW |
|--|---|--|
| Voltage variation | ±10% | -15 to +10% |
| Frequency variation | ±1Hz | ±3Hz |
| Adjustable range of output voltage | 0 to 95% | 0 to 98% |
| Range of internal duty setting | 0 to 100% (EUN/EHN/EC) 10 to 100% (EH) | 0 to 100% |
| Range of external duty setting | 0 to 100% (EUN/EHN/EC) 10 to 100% (EH) | 0 to 100% |
| Soft-start time (ups and downs) | 0.5 to 10s (EUN/EHN/EC) 0.1 to 1s (EH) | 0.0 to 99.9s |
| Range of raising the basis-up | 0 to 90% | 0 to 100% |
| Heater burn-out detection | 20% Max (EHN) | 1 to 100% |
| The least detection phase | Some. 1/8p (EH) Some. 1/6p (EHN) | 0 to 100% |
| The least set phase | Some. 1/6p (EHN) | - |
| The least detection load current | 1A (EH) 30% of Rated current (EHN) 20% of Rated current (EC) | 1A (EC) |
| Failure detection operating time | 0.1s Max (EH) 1s Max (EHN/EC) | 20ms Max (For 50Hz and 0 times of the anomaly detection delay frequency.) |
| Range of current limiting | 0 to 100% (EC) | 0 to 100% (EC) |
| Over-current detection characteristic | 1 Cycle Max (EC) | 1 Cycle Max (EC) |
| Constant-current characteristic | load fluctuation:10times Change in voltage±10% is confronted.±3% Max (EC) | Current fluctuation±2%FS (EC) |
| Output On-state voltage descent | 1.6VRMS Max | 1.6VRMS Max |
| Leakage current | 10mA Max (AC110V) 20mA Max (AC220V) | 10mA Max (AC110V) 20mA Max (AC220V) |
| Insulation resistance | 100MΩ Min | 100MΩ Min |
| Dielectric strength | AC2000V One minute | AC2500V One minute |
| Vibration resistance | 10 to 55 to 10Hz 100m/s ² | 10 to 55 to 10Hz 100m/s ² |
| Impact resistance | 300m/S ² | 300m/S ² |
| Storage temperature | 20 to 65°C | 25 to 65°C |
| Ambient temperature of use | 10 to 55°C | 15 to 55°C |
| Ambient humidity of use | 45 to 85%RH | 5 to 95%RH |

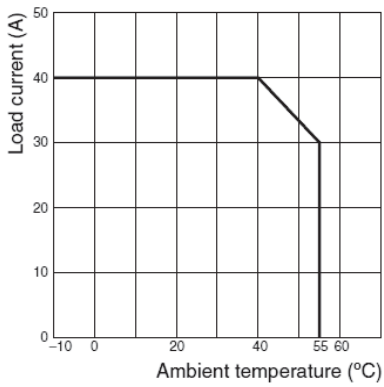
Characteristics

Product discontinuation G3PX Single-phase

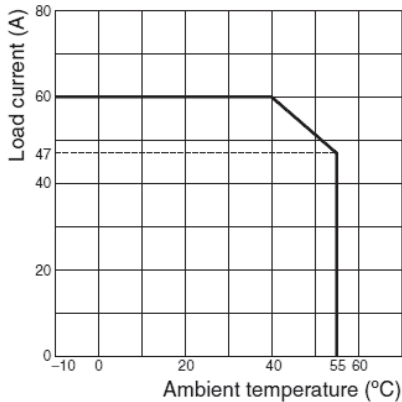
Load current vs. ambient temperature G3PX-220E series



G3PX-240E series

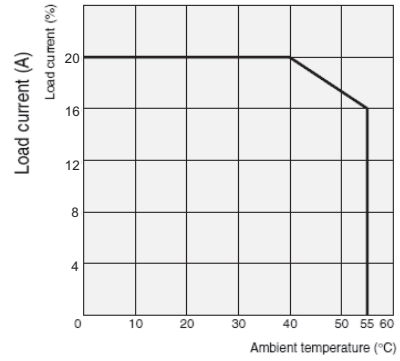


G3PX-260E series

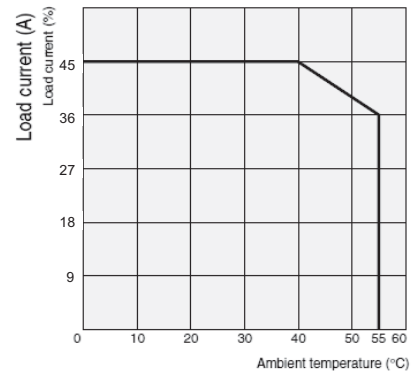


Recommendable replacement G3PW

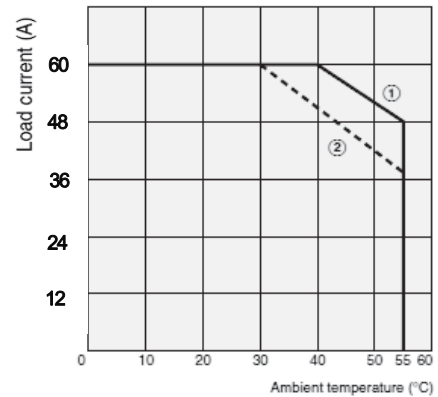
G3PW-A220E series



G3PW-A245E series

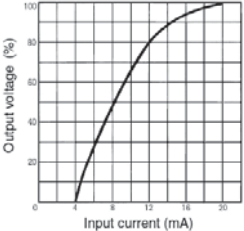
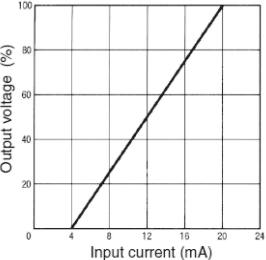
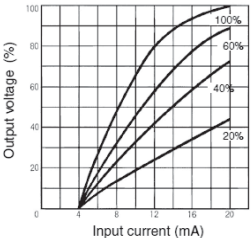
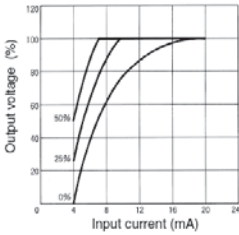
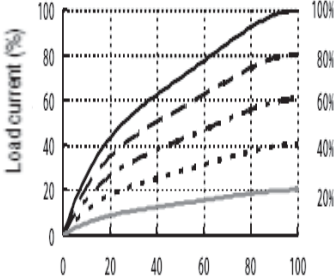
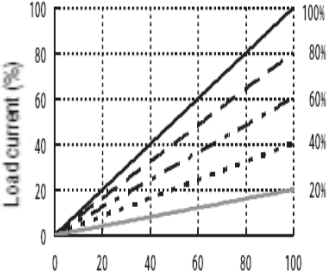
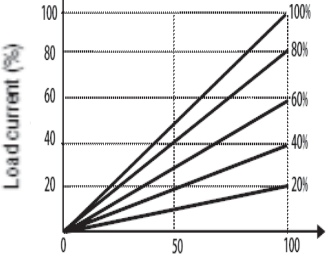
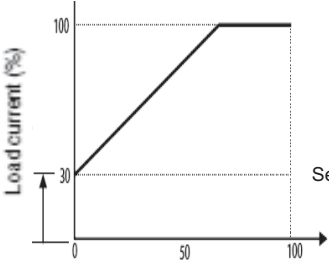


G3PW-A260E series



- ①: Installation with 20 mm
between Power Controllers
②: Close mounting

Operation ratings

| Product discontinuation G3PX Single-phase | Recommendable replacement G3PW |
|--|--|
| <p>Output characteristics G3PX-EUN, EH, EHN series</p>  <p>G3PX-EC series</p>  <p>Duty setting G3PX-EUN, EH, EHN series</p>  <p>Base-up characteristics G3PX-EUN, EH, EHN series</p>  | <p>Proportional to phase angle (G3PX compatibility mode)</p>  <p>Constant current control</p>   <p>Ex.: Set the Base-up to 30%</p>  <p>Set the Base-up =30%</p> |

Operation methods

| Product discontinuation G3PX Single-phase | Recommendable replacement G3PW |
|--|--|
| <p>Input signal for control</p> <ul style="list-style-type: none"> 1) External main setting: External volume 2) External duty setting: External volume 3) Current input: DC4-20mA 4) Voltage ON/OFF input: DC5-24V 5) Internal inclination setting: Built-in volume 6) Base-up setting: Built-in volume 7) Soft-start setting: Built-in volume 8) Open circuit detection level setting: Built-in volume | <ul style="list-style-type: none"> 1) External main setting: External volume 2) External duty setting: External volume 3) Current input: DC4-20mA 4) Voltage ON/OFF input: DC5V 5) Internal inclination setting: Front key or communication 6) Base-up setting: Front key or communication 7) Soft-start setting: Front key or communication 8) Open circuit detection level setting: Front key or communication |