

Product Discontinuation Notices

September 1, 2011

Safety Limit Switches

No. 2011319E

Discontinuation Notice of part of D4N-[]R series

Product Discontinuation

Pull-reset Safety Limit Switch



D4N-3[] [] [] R
D4N-5[] [] [] R
D4N-7[] [] [] R

Recommended Replacement

Pull-reset Safety Limit Switch

D4N-4[] [] [] R
D4N-1[] [] [] R
D4N-4[] [] [] R

Discontinuation date : The end of March, 2012

Caution on recommended replacement

- Appearance and dimensions are different
- Number of conduit and/or conduit size are different

Difference from discontinued product

Model	Body Color	Dimensions	Wire connection	Mounting Dimensions	Characteristics	Operation ratings	Operation methods
D4N-1[] [] [] R D4N-4[] [] [] R	**	--	**	**	**	**	**

** : Fully compatible

* : The change is a little/Almost compatible

-- : Not compatible

- : No corresponding specification

Product Discontinuation and recommended replacement

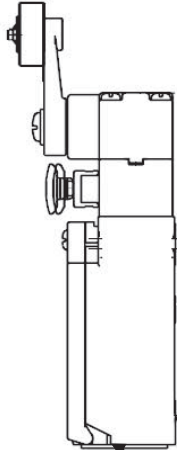
Product discontinuation	Recommended replacement
D4N-3A20R	D4N-4A20R
D4N-3A2GR	D4N-4A2GR
D4N-3A2HR	D4N-4A2HR
D4N-3A31R	D4N-4A31R
D4N-3A32R	D4N-4A32R
D4N-3A62R	D4N-4A62R
D4N-3A72R	D4N-4A72R
D4N-3B20R	D4N-4B20R
D4N-3B2GR	D4N-4B2GR
D4N-3B2HR	D4N-4B2HR
D4N-3B31R	D4N-4B31R
D4N-3B32R	D4N-4B32R
D4N-3B62R	D4N-4B62R
D4N-3B72R	D4N-4B72R
D4N-3C20R	D4N-4C20R
D4N-3C2GR	D4N-4C2GR
D4N-3C2HR	D4N-4C2HR
D4N-3C31R	D4N-4C31R
D4N-3C32R	D4N-4C32R
D4N-3C62R	D4N-4C62R
D4N-3C72R	D4N-4C72R
D4N-3D20R	D4N-4D20R
D4N-3D2GR	D4N-4D2GR
D4N-3D2HR	D4N-4D2HR
D4N-3D31R	D4N-4D31R
D4N-3D32R	D4N-4D32R
D4N-3D62R	D4N-4D62R
D4N-3D72R	D4N-4D72R
D4N-5A20R	D4N-1A20R
D4N-5A2GR	D4N-1A2GR
D4N-5A2HR	D4N-1A2HR
D4N-5A31R	D4N-1A31R
D4N-5A32R	D4N-1A32R
D4N-5A62R	D4N-1A62R
D4N-5A72R	D4N-1A72R
D4N-5B20R	D4N-1B20R
D4N-5B2GR	D4N-1B2GR
D4N-5B2HR	D4N-1B2HR
D4N-5B31R	D4N-1B31R
D4N-5B32R	D4N-1B32R
D4N-5B62R	D4N-1B62R
D4N-5B72R	D4N-1B72R

Product discontinuation	Recommended replacement
D4N-5C20R	D4N-1C20R
D4N-5C2GR	D4N-1C2GR
D4N-5C2HR	D4N-1C2HR
D4N-5C31R	D4N-1C31R
D4N-5C32R	D4N-1C32R
D4N-5C62R	D4N-1C62R
D4N-5C72R	D4N-1C72R
D4N-5D20R	D4N-1D20R
D4N-5D2GR	D4N-1D2GR
D4N-5D2HR	D4N-1D2HR
D4N-5D31R	D4N-1D31R
D4N-5D32R	D4N-1D32R
D4N-5D62R	D4N-1D62R
D4N-5D72R	D4N-1D72R
D4N-7A20R	D4N-4A20R
D4N-7A2GR	D4N-4A2GR
D4N-7A2HR	D4N-4A2HR
D4N-7A31R	D4N-4A31R
D4N-7A32R	D4N-4A32R
D4N-7A62R	D4N-4A62R
D4N-7A72R	D4N-4A72R
D4N-7B20R	D4N-4B20R
D4N-7B2GR	D4N-4B2GR
D4N-7B2HR	D4N-4B2HR
D4N-7B31R	D4N-4B31R
D4N-7B32R	D4N-4B32R
D4N-7B62R	D4N-4B62R
D4N-7B72R	D4N-4B72R
D4N-7C20R	D4N-4C20R
D4N-7C2GR	D4N-4C2GR
D4N-7C2HR	D4N-4C2HR
D4N-7C31R	D4N-4C31R
D4N-7C32R	D4N-4C32R
D4N-7C62R	D4N-4C62R
D4N-7C72R	D4N-4C72R
D4N-7D20R	D4N-4D20R
D4N-7D2GR	D4N-4D2GR
D4N-7D2HR	D4N-4D2HR
D4N-7D31R	D4N-4D31R
D4N-7D32R	D4N-4D32R
D4N-7D62R	D4N-4D62R
D4N-7D72R	D4N-4D72R

Dimensions

Product discontinuation

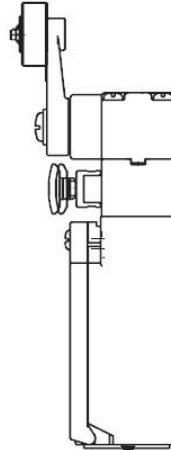
Model D4N-3□□□R



Conduit size: 1/2-14NPT

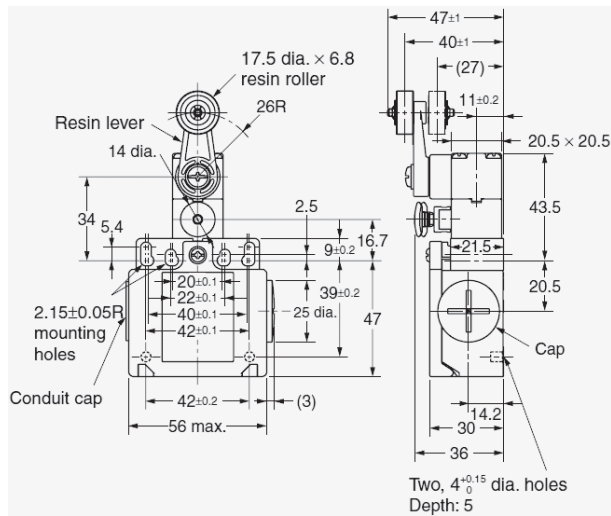
Recommendable replacement

Model D4N-4□□□R



Conduit size: M20

Model D4N-5□□□R, D4N-7□□□R



Model D4N-4□□□R

