

## Product Discontinuation Notices

September 1, 2011

Emergency Stop Switches

No. 2011313E

### Discontinuation Notice of part of A165E series

#### Product Discontinuation

Emergency Stop Switch



**A165E-MY series**  
**A165E-MGR series**



#### Recommended Replacement

Emergency Stop Switch

**A165E-SY series**  
**A165E-SGR series**

**Discontinuation date : The end of March, 2012**

#### Caution on recommended replacement

- Appearance and dimensions are different
- Mounting dimensions are different
- Characteristics and operation ratings are different

#### Difference from discontinued product

Model	Body Color	Dimensions	Wire connection	Mounting Dimensions	Characteristics	Operation ratings	Operation methods
A165E-SY series A165E-SGR series	**	--	**	**	**	**	**

\*\* : Fully compatible

\* : The change is a little/Almost compatible

-- : Not compatible

- : No corresponding specification

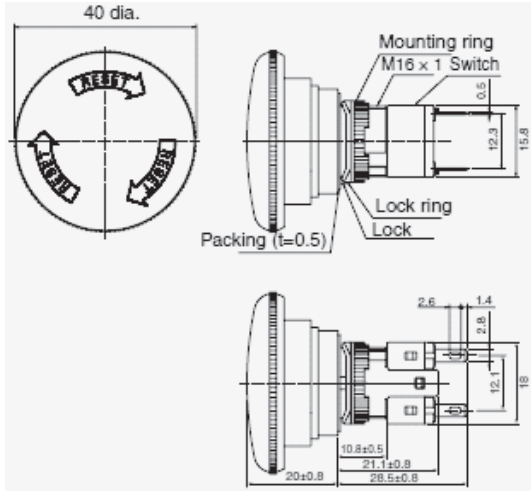
#### Product Discontinuation and recommended replacement

Product discontinuation	Recommended replacement
A165E-MY-01	A165E-SY-01
A165E-MY-02	A165E-SY-02
A165E-MY-03U	A165E-SY-03U
A165E-MGR-01	A165E-SGR-01
A165E-MGR-02	A165E-SGR-02
A165E-MGR-03U	A165E-SGR-03U

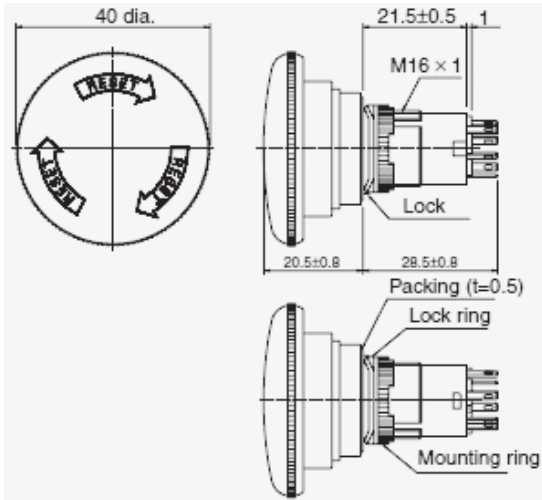
## Dimensions

### Product discontinuation

Model A165E-MY-01 / A165E-MY-02  
Model A165E-MGR-01 / A165E-MGR-02

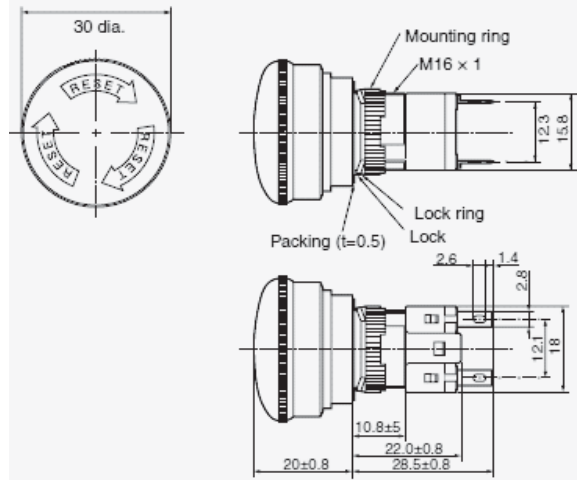


Model A165E-MY-03U  
Model A165E-MGR-03U



### Recommendable replacement

Model A165E-SY-01 / A165E-SY-02  
Model A165E-SGR-01 / A165E-SGR-02



Model A165E-SY-03U  
Model A165E-SGR-03U

