

**Product Discontinuation
Notices**

July 1, 2010

Field Networks

No.2010201E

**Discontinuation Notice of Field Network Products.
CRT1B series****Product Discontinuation****Recommended Replacement**

CRT1B-ID02SP
CRT1B-ID02SP-1
CRT1B-ID04SP
CRT1B-ID04SP-1
CRT1B-OD02SP
CRT1B-OD02SP-1
CRT1B-MD04SLP
CRT1B-MD04SLP-1

CRT1B-ID02JS
CRT1B-ID02JS-1
CRT1B-ID04JS
CRT1B-ID04JS-1
CRT1B-OD02JS
CRT1B-OD02JS-1
CRT1B-MD04JS
CRT1B-MD04JS-1

Discontinuation date : The end of March, 2011**Caution on recommended replacement**

Degree of Protection changes from IEC standard of IP54 to IEC standard of IP20. Product Dimensions and Mounting Dimensions changes. I/O connector changes from e-CON connectors or Screwless clamp terminals to Compact type connectors. Various smart functions will be not supported.

Difference from discontinued product

Model	Body Color	Dimensions	Wire connection	Mounting Dimensions	Characteristics	Operation ratings	Operation methods
All type	*	--	--	--	*	*	*

** : Fully compatible

* : The change is a little/Almost compatible

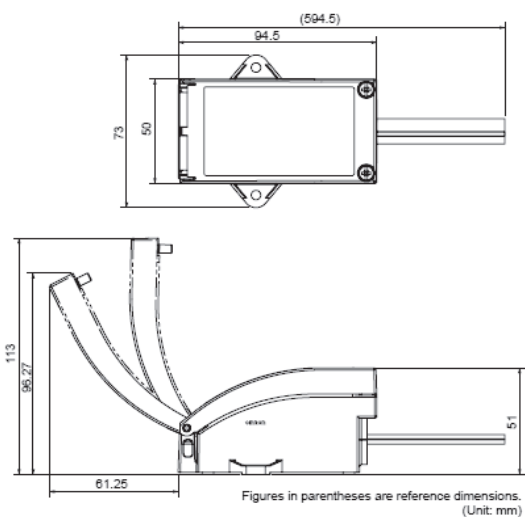
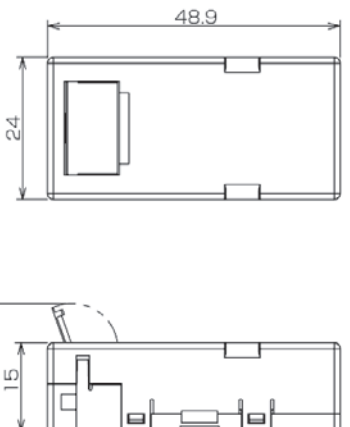
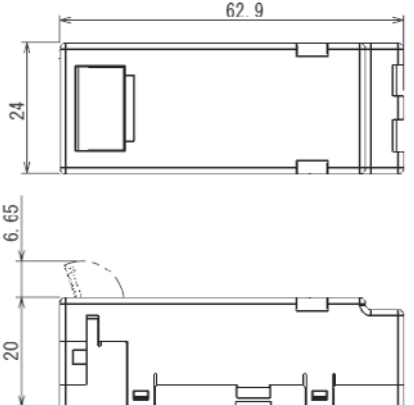
-- : Not compatible

- : No corresponding specification

Product Discontinuation and recommended replacement

Product discontinuation	Recommended replacement
CRT1B-ID02SP	CRT1B-ID02JS
CRT1B-ID02SP-1	CRT1B-ID02JS-1
CRT1B-ID04SP	CRT1B-ID04JS
CRT1B-ID04SP-1	CRT1B-ID04JS-1
CRT1B-OD02SP	CRT1B-OD02JS
CRT1B-OD02SP-1	CRT1B-OD02JS-1
CRT1B-MD04SLP	CRT1B-MD04JS
CRT1B-MD04SLP-1	CRT1B-MD04JS-1

Dimensions

Product discontinuation	Recommendable replacement
<p>All type</p>  <p>Figures in parentheses are reference dimensions. (Unit: mm)</p>	<p>CRT1B-ID02JS(-1) / OD02JS(-1)</p>  <p>(mm)</p> <p>CRT1B-ID04JS(-1) / MD04JS(-1)</p>  <p>(mm)</p>

I/O Connectors

Product discontinuation	Recommendable replacement
CRT1B-ID02SP(-1) : e-CON connectors CRT1B-ID04SP(-1) : e-CON connectors CRT1B-OD02SP(-1) : e-CON connectors CRT1B-MD04SLP(-1): Screwless clamp terminals	All types: Compact connectors (JST Mfg. Co., Ltd.)

Wire Connection

Product discontinuation	Recommendable replacement
<p>CRT1B-ID02SP e-CON connectors</p> <p>2-wire sensor (e.g., limit switch)</p> <p>3-wire sensor with NPN output (photoelectric sensor or proximity sensor)</p> <p>CRT1B-ID02SP-1 e-CON connectors</p> <p>2-wire sensor (e.g., limit switch)</p> <p>3-wire sensor with PNP output (photoelectric sensor or proximity sensor)</p>	<p>CRT1B-ID02JS Compact connectors</p> <p>3-wire sensor with NPN output (photoelectric sensor or proximity sensor)</p> <p>2-wire sensor (e.g., limit switch)</p> <p>CRT1B-ID02JS-1 Compact connectors</p> <p>3-wire sensor with PNP output (photoelectric sensor or proximity sensor)</p> <p>2-wire sensor (e.g., limit switch)</p>

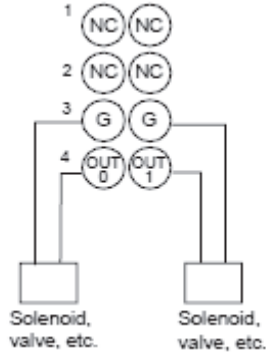
Wire Connection

Product discontinuation	Recommendable replacement
<p>CRT1B-ID04SP e-CON connectors</p> <p>2-wire sensor (e.g., limit switch)</p> <p>3-wire sensor with NPN output (photoelectric sensor or proximity sensor)</p>	<p>CRT1B-ID04JS Compact connectors</p> <p>3-wire sensor with NPN output (photoelectric sensor or proximity sensor)</p> <p>2-wire sensor (e.g., limit switch)</p>
<p>CRT1B-ID04SP-1 e-CON connectors</p> <p>2-wire sensor (e.g., limit switch)</p> <p>3-wire sensor with PNP output (photoelectric sensor or proximity sensor)</p>	<p>CRT1B-ID04JS-1 Compact connectors</p> <p>3-wire sensor with PNP output (photoelectric sensor or proximity sensor)</p> <p>2-wire sensor (e.g., limit switch)</p>
<p>CRT1B-OD02SP e-CON connectors</p> <p>Solenoid, valve, etc.</p> <p>Solenoid, valve, etc.</p>	<p>CRT1B-OD02JS Compact connectors</p> <p>Photoelectric sensor, emitter, etc.</p> <p>Solenoid, valve, etc.</p>

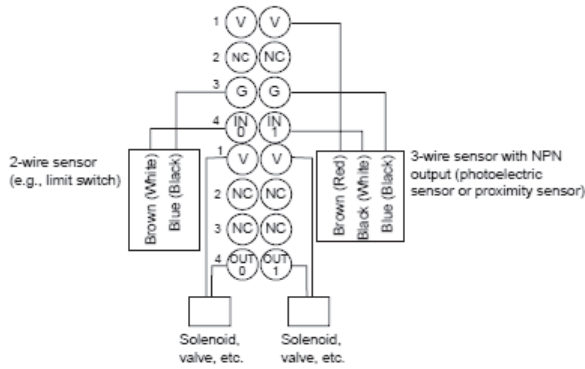
Wire Connection

Product discontinuation

CRT1B-OD02SP-1 e-CON connectors

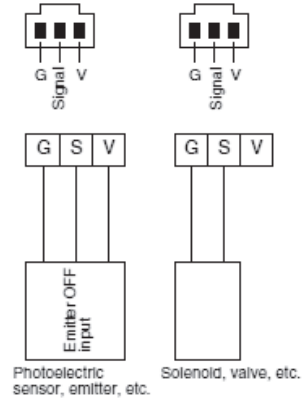


CRT1B-MD04SLP Screwless clamp terminals

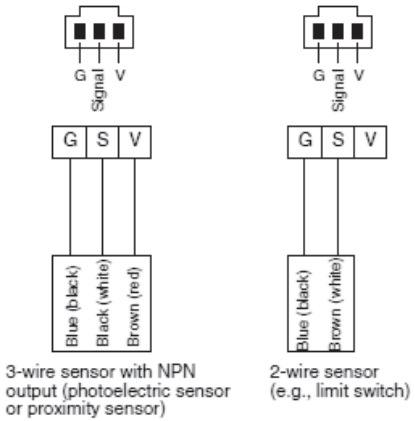


Recommendable replacement

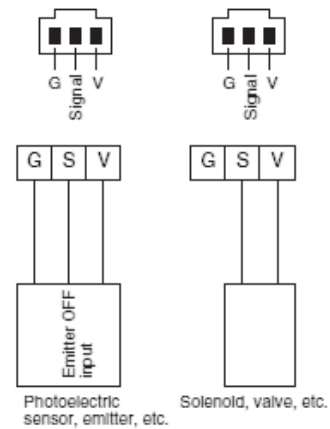
CRT1B-OD02JS-1 Compact connectors



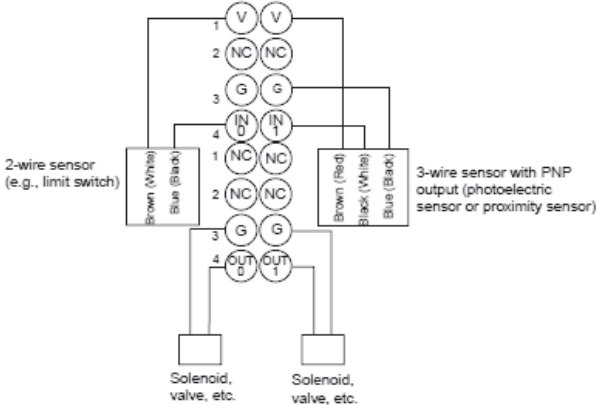
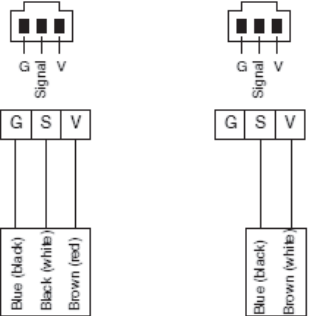
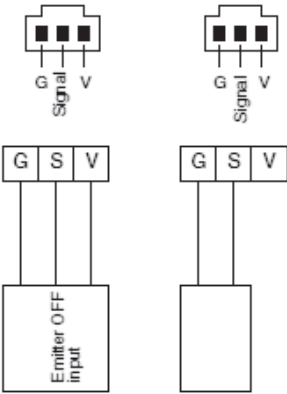
CRT1B-MD04JS Compact connectors Input Connectors




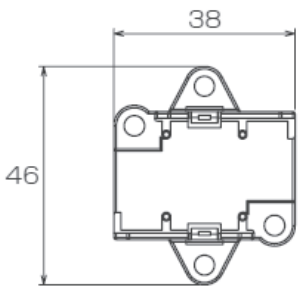
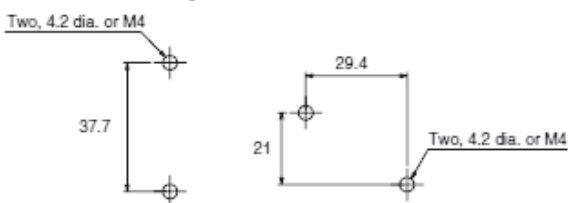
Output Connectors



Wire Connection

Product discontinuation	Recommendable replacement
<p data-bbox="244 349 579 414">CRT1B-MD04SLP-1 Screwless clamp terminals</p>  <p data-bbox="215 616 335 649">2-wire sensor (e.g., limit switch)</p> <p data-bbox="630 616 813 672">3-wire sensor with PNP output (photoelectric sensor or proximity sensor)</p> <p data-bbox="383 828 454 862">Solenoid, valve, etc.</p> <p data-bbox="502 828 574 862">Solenoid, valve, etc.</p>	<p data-bbox="922 349 1169 414">CRT1B-MD04JS-1 Compact connectors</p> <p data-bbox="965 448 1125 481">Input Connectors</p>  <p data-bbox="965 817 1173 862">3-wire sensor with PNP output (photoelectric sensor or proximity sensor)</p> <p data-bbox="1220 817 1348 851">2-wire sensor (e.g., limit switch)</p> <p data-bbox="981 907 1204 940">Output Connectors</p>  <p data-bbox="981 1355 1141 1388">Photoelectric sensor, emitter, etc.</p> <p data-bbox="1141 1355 1300 1377">Solenoid, valve, etc.</p>

Mounting dimensions

Product discontinuation	Recommendable replacement
<p>Screw Installation Mounting Hole Dimensions</p> 	<p>Screw Installation with CRT1-ATT03</p> <p>CRT1-ATT03</p>  <p>Mounting Hole Dimensions</p>  <p>Perform mounting using either of the two sets of holes.</p>

Degree of Protection

Product discontinuation	Recommendable replacement
IEC standard IP54	IEC standard IP20

Communication Cable

Product discontinuation	Recommendable replacement
Only Flat Cable II	All of cable type

Characteristics

Function	Product discontinuation			Recommended replacement		
	CRT1B-ID02SP(-1) CRT1B-ID04SP(-1) CRT1B-OD02SP(-1) CRT1B-MD04SLP(-1)			CRT1B-ID02JS(-1) CRT1B-ID04JS(-1) CRT1B-OD02JS(-1) CRT1B-MD04JS(-1)		
	Input	Output	I/O	Input	Output	I/O
Operation Time Monitor	Yes			-		
Contact Operation Monitor	Yes			-		
Total ON Time Monitor	Yes			-		
Automatic Baud Rate Detection	Yes			Yes		
Unit Conduction Time Monitor	Yes			-		
Naming Units	Yes			-		
Naming Connected Devices	Yes			-		
Network Power Voltage Monitor	Yes			-		
I/O Power Voltage Monitor	-			-		
Communications Error History Monitor	Yes			-		
Input Filter	Yes	-	Yes	Yes	-	Yes
Communication Error Output	-	Yes	Yes	-	Yes	Yes
Preventing Malfunctions Caused by Inrush Current at I/O Startup	Yes	-	Yes	-		
Power Short-circuit Detection	Yes	-	Yes	-		
Unconnected Line Detection	-			-		
Load Short-circuit Detection	-	Yes	Yes	-		