

## 产品停产通知

温控器（数字调节仪）

发布日期  
2021年9月1日

No. 2021067C

## 温度传感器E52系列（部分机型）的停产通知

## 停产产品

温度传感器

E52系列保护管长度、  
导线长度变更产品

## 推荐的替代产品

温度传感器

E52系列分类产品

## ■ 订货截止日期

2022年3月底

## ■ 装货截止日期

2022年6月底

## ■ 推荐的替代产品的注意事项

保护管长度、导线长度与分类产品不同。安装方法和导线延长，请确认产品目录的注意事项。

## ■ 与停产产品的异同点

推荐的替代产品型号	本体的颜色	外形尺寸	配线连接	安装尺寸	额定规格和性能	动作特性	操作方法
E52保护管长度变更	◎	×	◎	○	◎	◎	—
E52保护管直径变更	◎	×	◎	○	○	◎	—
E52导线长度变更	◎	×	◎	○	◎	◎	—
E52保护管长度、端子形状变更	○	×	×	○	◎	◎	—
E52保护管长度、导线长度变更	◎	×	◎	○	◎	◎	—
E52保护管长度、保护管直径、导线长度变更	◎	×	◎	○	○	◎	—
E52端子形状变更	○	×	×	○	◎	◎	—

◎：通用

○：几乎无更改/高相似度的更改

×：更改较大

—：无相应规格

## ■停产产品与推荐的替代产品

### E52保护管长度变更

停产产品	推荐的替代产品
E52-CA11AY D=4.8 2M	E52-CA10AY D=4.8 2M
E52-CA105C-N-1 D=8	E52-CA100C-N-1 D=8
E52-CA10AF D=3.2 2M	E52-CA15AF D=3.2 2M
E52-CA10AY-7 D=3.2 4M	E52-CA20AY-7 D=3.2 4M
E52-CA110C-N D=10	E52-CA100C-N D=10
E52-CA110C-N D=6.4	E52-CA100C-N D=6.4
E52-CA11AY D=1.6 NETU 4M	E52-CA10AY D=1.6 NETU 4M
E52-CA11C-N D=3.2	E52-CA15C-N D=3.2
E52-CA120AY D=1.6 2M	E52-CA100AY D=1.6 2M
E52-CA120AY D=3.2 4M	E52-CA100AY D=3.2 4M
E52-CA120C-N D=15	E52-CA100C-N D=15
E52-CA125C-N D=8	E52-CA100C-N D=8
E52-CA12AY D=1 NETU 0.5M	E52-CA15AY D=1 NETU 1M
E52-CA12AY D=1 NETU 1M	E52-CA15AY D=1 NETU 1M
E52-CA12AY D=3.2 1M	E52-CA15AY D=3.2 1M
E52-CA12AY D=8 1M	E52-CA20AY D=8 1M
E52-CA130AY D=3.2 NETU 2M	E52-CA100AY D=3.2 NETU 2M
E52-CA130C-N D=8	E52-CA100C-N D=8
E52-CA137C-N D=4.8	E52-CA100C-N D=4.8
E52-CA13AY D=1.6 2M	E52-CA15AY D=1.6 2M
E52-CA13AY D=1.6 NETU 2M	E52-CA15AY D=1.6 NETU 2M
E52-CA14AY D=3.2 NETU 1M	E52-CA15AY D=3.2 NETU 1M
E52-CA14C-N D=4.8	E52-CA15C-N D=4.8
E52-CA150AY D=1.6 4M	E52-CA100AY D=1.6 4M
E52-CA150AY D=1.6 NETU 2M	E52-CA100AY D=1.6 NETU 2M
E52-CA150AY D=3.2 2M	E52-CA100AY D=3.2 2M
E52-CA150C-N D=8	E52-CA100C-N D=8
E52-CA15AF D=4.8 8M	E52-CA20AF D=4.8 8M
E52-CA15AY-7 D=3.2 2M	E52-CA20AY-7 D=3.2 2M
E52-CA16AY D=1.6 2M	E52-CA15AY D=1.6 2M
E52-CA16C-N D=6.4	E52-CA20C-N D=6.4
E52-CA17AY D=4.8 NETU 2M	E52-CA20AY D=4.8 NETU 2M
E52-CA17AY D=8 NETU 2M	E52-CA20AY D=8 NETU 2M
E52-CA18AY D=1 NETU 1M	E52-CA20AY D=1 NETU 1M
E52-CA18AY D=6.4 2M	E52-CA20AY D=6.4 2M
E52-CA18C-N D=3.2	E52-CA20C-N D=3.2
E52-CA18C-N D=8	E52-CA20C-N D=8
E52-CA21C-N D=10	E52-CA30C-N D=10
E52-CA22AY D=1.6 2M	E52-CA25AY D=1.6 2M
E52-CA22AY D=1.6 4M	E52-CA25AY D=1.6 4M
E52-CA23AY D=3.2 2M	E52-CA25AY D=3.2 2M
E52-CA25AY D=4.8 1M	E52-CA35AY D=4.8 1M
E52-CA25AY D=4.8 NETU 1M	E52-CA35AY D=4.8 NETU 1M
E52-CA25AY D=6.4 2M	E52-CA35AY D=6.4 2M
E52-CA25AY D=6.4 NETU 4M	E52-CA35AY D=6.4 NETU 4M
E52-CA25C-N D=10	E52-CA30C-N D=10

停产产品	推荐的替代产品
E52-CA26C-N D=8	E52-CA25C-N D=8
E52-CA28AY D=3.2 1M	E52-CA25AY D=3.2 1M
E52-CA29B-N D=15	E52-CA35B-N D=15
E52-CA30AY D=1 1M	E52-CA35AY D=1 1M
E52-CA30AY D=1 4M	E52-CA35AY D=1 4M
E52-CA30AY D=3.2 1M	E52-CA35AY D=3.2 1M
E52-CA30AY D=3.2 4M	E52-CA35AY D=3.2 4M
E52-CA30AY D=3.2 NETU 2M	E52-CA35AY D=3.2 NETU 2M
E52-CA30AY D=3.2 NETU 4M	E52-CA35AY D=3.2 NETU 4M
E52-CA30AY D=4.8 NETU 1M	E52-CA35AY D=4.8 NETU 1M
E52-CA30AY D=4.8 NETU 4M	E52-CA35AY D=4.8 NETU 4M
E52-CA30AY D=6.4 2M	E52-CA35AY D=6.4 2M
E52-CA30AY D=8 NETU 4M	E52-CA35AY D=8 NETU 4M
E52-CA30B-N D=8	E52-CA35B-N D=8
E52-CA31AY D=1.6 2M	E52-CA35AY D=1.6 2M
E52-CA33AY D=1.6 2M	E52-CA35AY D=1.6 2M
E52-CA36C-N D=6.4	E52-CA35C-N D=6.4
E52-CA39AY D=1.6 2M	E52-CA50AY D=1.6 2M
E52-CA39AY D=1.6 8M	E52-CA50AY D=1.6 8M
E52-CA3AY D=1 NETU 1M	E52-CA5AY D=1 NETU 1M
E52-CA3AY D=1 S1 0.5M	E52-CA6AY D=1 S1 0.5M
E52-CA3AY D=1 S2 1M	E52-CA6AY D=1 S2 1M
E52-CA3AY D=1.6 1M	E52-CA5AY D=1.6 1M
E52-CA3AY D=1.6 2M	E52-CA5AY D=1.6 2M
E52-CA3AY D=1.6 NETU 2M	E52-CA5AY D=1.6 NETU 2M
E52-CA40AY D=3.2 1M	E52-CA50AY D=3.2 1M
E52-CA40AY D=3.2 2M	E52-CA50AY D=3.2 2M
E52-CA40AY D=3.2 4M	E52-CA50AY D=3.2 4M
E52-CA40AY D=3.2 NETU 1M	E52-CA50AY D=3.2 NETU 1M
E52-CA40AY D=4.8 NETU 4M	E52-CA50AY D=4.8 NETU 4M
E52-CA40AY D=6.4 1M	E52-CA50AY D=6.4 1M
E52-CA40C-N D=10	E52-CA50C-N D=10
E52-CA43C-N D=8	E52-CA50C-N D=8
E52-CA45B-N D=15	E52-CA50B-N D=15
E52-CA45C-N D=10	E52-CA50C-N D=10
E52-CA49AY D=1.6 2M	E52-CA50AY D=1.6 2M
E52-CA4AY D=1.6 2M	E52-CA5AY D=1.6 2M
E52-CA4AY D=1.6 NETU 1M	E52-CA5AY D=1.6 NETU 1M
E52-CA4AY D=1.6 NETU 4M	E52-CA5AY D=1.6 NETU 4M
E52-CA53AY D=3.2 2M	E52-CA50AY D=3.2 2M
E52-CA53C-N D=4.8	E52-CA50C-N D=4.8
E52-CA53C-N D=6.4	E52-CA50C-N D=6.4
E52-CA54C-N D=10	E52-CA50C-N D=10
E52-CA5AE-N-2 1M	E52-CA10AE-N 1M
E52-CA5AE-N-2 2M	E52-CA10AE-N 2M
E52-CA60AY D=1 NETU 4M	E52-CA100AY D=1.6 NETU 4M
E52-CA60AY D=1.6 1M	E52-CA100AY D=1.6 1M
E52-CA60AY D=1.6 2M	E52-CA100AY D=1.6 2M

停产产品	推荐的替代产品
E52-CA60AY D=1.6 NETU 1M	E52-CA100AY D=1.6 NETU 1M
E52-CA60AY D=1.6 NETU 2M	E52-CA100AY D=1.6 NETU 2M
E52-CA60AY D=1.6 NETU 4M	E52-CA100AY D=1.6 NETU 4M
E52-CA60AY D=1.6 NETU 8M	E52-CA100AY D=1.6 NETU 8M
E52-CA60AY D=3.2 2M	E52-CA100AY D=3.2 2M
E52-CA60B-N D=4.8	E52-CA75C-N D=4.8
E52-CA60C-N D=10	E52-CA75C-N D=10
E52-CA60C-N D=8	E52-CA75C-N D=8
E52-CA62AY D=1.6 2M	E52-CA100AY D=1.6 2M
E52-CA62Y D=1.6 2M	E52-CA100Y D=1.6 2M
E52-CA63C-N D=4.8	E52-CA75C-N D=4.8
E52-CA66C-N D=10	E52-CA75C-N D=10
E52-CA6AY D=1.6 NETU 4M	E52-CA5AY D=1.6 NETU 4M
E52-CA6AY D=3.2 4M	E52-CA5AY D=3.2 4M
E52-CA6AY D=3.2 NETU 4M	E52-CA5AY D=3.2 NETU 4M
E52-CA70AY D=1 2M	E52-CA100AY D=1.6 2M
E52-CA70AY D=1.6 NETU 1M	E52-CA100AY D=1.6 NETU 1M
E52-CA70AY D=3.2 1M	E52-CA100AY D=3.2 1M
E52-CA70AY D=3.2 2M	E52-CA100AY D=3.2 2M
E52-CA70AY D=4.8 2M	E52-CA100AY D=4.8 2M
E52-CA75AY D=3.2 NETU 4M	E52-CA100AY D=3.2 NETU 4M
E52-CA7AE-N-2 1M	E52-CA10AE-N 1M
E52-CA7AY D=1 2M	E52-CA10AY D=1 2M
E52-CA7AY D=1 NETU 1M	E52-CA10AY D=1 NETU 1M
E52-CA7AY D=1.6 1M	E52-CA10AY D=1.6 1M
E52-CA7AY D=3.2 2M	E52-CA10AY D=3.2 2M
E52-CA7AY D=3.2 4M	E52-CA10AY D=3.2 4M
E52-CA7AY D=3.2 NETU 1M	E52-CA10AY D=3.2 NETU 1M
E52-CA7AY D=3.2 NETU 2M	E52-CA10AY D=3.2 NETU 2M
E52-CA7D-N-2 1M	E52-CA6D-N 1M
E52-CA80C-N D=8	E52-CA100C-N D=8
E52-CA85AY D=1 NETU 1M	E52-CA100AY D=1.6 NETU 1M
E52-CA85C-N D=22	E52-CA100C-N D=22
E52-CA85C-N D=8	E52-CA100C-N D=8
E52-CA8AY D=1 NETU 4M	E52-CA10AY D=1 NETU 4M
E52-CA8AY D=3.2 1M	E52-CA10AY D=3.2 1M
E52-CA8AY D=3.2 4M	E52-CA10AY D=3.2 4M
E52-CA8AY D=3.2 NETU 8M	E52-CA10AY D=3.2 NETU 8M
E52-CA8AY D=4.8 2M	E52-CA10AY D=4.8 2M
E52-CA8AY D=4.8 NETU 1M	E52-CA10AY D=4.8 NETU 1M
E52-CA90AY D=3.2 4M	E52-CA100AY D=3.2 4M
E52-CA90C-N D=22	E52-CA100C-N D=22
E52-CA90C-N D=4.8	E52-CA100C-N D=4.8
E52-CA90C-N D=8	E52-CA100C-N D=8
E52-CA95AY D=1.6 1M	E52-CA100AY D=1.6 1M
E52-CA95AY D=4.8 NETU 2M	E52-CA100AY D=4.8 NETU 2M
E52-CA98C-N D=6.4	E52-CA100C-N D=6.4
E52-CA9AE-N-2 1M	E52-CA10AE-N 1M

停产产品	推荐的替代产品
E52-CA9AY D=1.6 2M	E52-CA10AY D=1.6 2M
E52-CA9AY D=1.6 NETU 4M	E52-CA10AY D=1.6 NETU 4M
E52-IC10AY D=3.2 4M	E52-IC15AY D=3.2 4M
E52-IC10AY D=4.8 2M	E52-IC20AY D=4.8 2M
E52-IC10AY D=6.4 NETU 2M	E52-IC20AY D=6.4 NETU 2M
E52-IC15C-N D=4.8	E52-IC20C-N D=4.8
E52-IC20C-N D=8	E52-IC35C-N D=8
E52-IC21C-N D=10	E52-IC35C-N D=10
E52-IC25C-N D=8	E52-IC35C-N D=8
E52-IC40AY D=3.2 2M	E52-IC50AY D=3.2 2M
E52-IC40C-N D=3.2	E52-IC50C-N D=3.2
E52-IC40C-N D=8	E52-IC50C-N D=8
E52-IC65C-N D=10	E52-IC75C-N D=10
E52-IC8AY D=1.6 NETU 1M	E52-IC15AY D=1.6 NETU 1M
E52-IC8AY D=4.8 NETU 2M	E52-IC15AY D=4.8 NETU 2M
E52-P10AY-7 D=4.8 2M	E52-P20AY-7 D=4.8 2M
E52-P120C-N D=6.4	E52-P100C-N D=6.4
E52-P125C-N D=6.4	E52-P100C-N D=6.4
E52-P12AY D=3.2 2M	E52-P15AY D=3.2 2M
E52-P12AY D=3.2 NETU 8M	E52-P15AY D=3.2 NETU 8M
E52-P12AY D=4.8 10M	E52-P15AY D=4.8 8M
E52-P12AY D=4.8 8M	E52-P15AY D=4.8 8M
E52-P130AY D=4.8 2M	E52-P100AY D=4.8 2M
E52-P130AY D=6.4 4M	E52-P100AY D=6.4 4M
E52-P130AY D=6.4 8M	E52-P100AY D=6.4 8M
E52-P130C-N D=6.4	E52-P100C-N D=6.4
E52-P13AY D=6.4 1M	E52-P20AY D=6.4 1M
E52-P13AY D=6.4 NETU 2M	E52-P20AY D=6.4 NETU 2M
E52-P15AF D=6.4 NETU 4M	E52-P15AF D=4.8 NETU 4M
E52-P15AY D=6.4 1M	E52-P20AY D=6.4 1M
E52-P15AY D=6.4 2M	E52-P20AY D=6.4 2M
E52-P15AY D=6.4 8M	E52-P20AY D=6.4 8M
E52-P15AY D=6.4 NETU 2M	E52-P20AY D=6.4 NETU 2M
E52-P16AY D=3.2 1M	E52-P15AY D=3.2 1M
E52-P16AY D=4.8 4M	E52-P15AY D=4.8 4M
E52-P16C-N D=3.2	E52-P15C-N D=3.2
E52-P17AY D=4.8 1M	E52-P20AY D=4.8 1M
E52-P18C-N D=6.4	E52-P20C-N D=6.4
E52-P22AY D=3.2 1M	E52-P20AY D=3.2 1M
E52-P23AY D=3.2 1M	E52-P20AY D=3.2 1M
E52-P24C-N D=6.4	E52-P25C-N D=6.4
E52-P25AY D=3.2 4M	E52-P35AY D=3.2 4M
E52-P25AY D=6.4 1M	E52-P35AY D=6.4 1M
E52-P26AY D=4.8 4M	E52-P35AY D=4.8 4M
E52-P26C-N D=10	E52-P30C-N D=10
E52-P26C-N D=3.2	E52-P30C-N D=3.2
E52-P26C-N D=4.8	E52-P30C-N D=4.8
E52-P27AY D=3.2 4M	E52-P35AY D=3.2 4M

停产产品	推荐的替代产品
E52-P27C-N D=8	E52-P30C-N D=8
E52-P28C-N D=8	E52-P35C-N D=8
E52-P29C-N D=6.4	E52-P35C-N D=6.4
E52-P30AY D=3.2 2M	E52-P35AY D=3.2 2M
E52-P30AY D=4.8 1M	E52-P35AY D=4.8 1M
E52-P30AY D=4.8 NETU 2M	E52-P35AY D=4.8 NETU 2M
E52-P30C-N-7 D=4.8	E52-P20C-N-7 D=4.8
E52-P30C-N-7 D=6.4	E52-P20C-N-7 D=6.4
E52-P36AY D=3.2 1M	E52-P35AY D=3.2 1M
E52-P38AY D=3.2 2M	E52-P35AY D=3.2 2M
E52-P38C-N D=8	E52-P35C-N D=8
E52-P39C-N D=4.8	E52-P50C-N D=4.8
E52-P40AY D=4.8 1M	E52-P50AY D=4.8 1M
E52-P40C-N D=10	E52-P50C-N D=10
E52-P40C-N D=3.2	E52-P50C-N D=3.2
E52-P40C-N D=4.8	E52-P50C-N D=4.8
E52-P40C-N D=6.4	E52-P50C-N D=6.4
E52-P40C-N D=8	E52-P50C-N D=8
E52-P42C-N D=4.8	E52-P50C-N D=4.8
E52-P43C-N D=3.2	E52-P50C-N D=3.2
E52-P45AY D=6.4 NETU 2M	E52-P50AY D=6.4 NETU 2M
E52-P45C-N D=10	E52-P50C-N D=10
E52-P45C-N D=8	E52-P50C-N D=8
E52-P46C-N D=8	E52-P50C-N D=8
E52-P47C-N D=8	E52-P50C-N D=8
E52-P49AY D=6.4 NETU 2M	E52-P50AY D=6.4 NETU 2M
E52-P53C-N D=8	E52-P50C-N D=8
E52-P55C-N D=10	E52-P50C-N D=10
E52-P55C-N D=4.8	E52-P50C-N D=4.8
E52-P55C-N D=6.4	E52-P50C-N D=6.4
E52-P56C-N D=10	E52-P50C-N D=10
E52-P57C-N D=10	E52-P50C-N D=10
E52-P57C-N D=8	E52-P50C-N D=8
E52-P60AY D=4.8 2M	E52-P50AY D=4.8 2M
E52-P60AY D=4.8 4M	E52-P50AY D=4.8 4M
E52-P60AY D=6.4 4M	E52-P50AY D=6.4 4M
E52-P60AY-1 D=6 2M	E52-P50AY-1 D=6 2M
E52-P60C-N D=10	E52-P75C-N D=10
E52-P60C-N D=4.8	E52-P75C-N D=4.8
E52-P60C-N D=6.4	E52-P75C-N D=6.4
E52-P60C-N D=8	E52-P75C-N D=8
E52-P61C-N D=3.2	E52-P75C-N D=3.2
E52-P64C-N D=10	E52-P75C-N D=10
E52-P64C-N D=6.4	E52-P75C-N D=6.4
E52-P64C-N D=8	E52-P75C-N D=8
E52-P65AY D=3.2 NETU 2M	E52-P100AY D=3.2 NETU 2M
E52-P65C-N D=10	E52-P75C-N D=10
E52-P65C-N D=8	E52-P75C-N D=8

停产产品	推荐的替代产品
E52-P67C-N D=6.4	E52-P75C-N D=6.4
E52-P6AEY-2 4M	E52-P10AEY 4M
E52-P70AY D=3.2 1M	E52-P100AY D=3.2 1M
E52-P70C-N D=10	E52-P75C-N D=10
E52-P70C-N D=8	E52-P75C-N D=8
E52-P71C-N D=10	E52-P75C-N D=10
E52-P75AY D=3.2 2M	E52-P100AY D=3.2 2M
E52-P75AY D=6.4 2M	E52-P100AY D=6.4 2M
E52-P75AY D=6.4 4M	E52-P100AY D=6.4 4M
E52-P7AY D=3.2 1M	E52-P10AY D=3.2 1M
E52-P7AY D=3.2 4M	E52-P10AY D=3.2 4M
E52-P7AY D=3.2 NETU 1M	E52-P10AY D=3.2 NETU 1M
E52-P7AY D=3.2 NETU 2M	E52-P10AY D=3.2 NETU 2M
E52-P7AY D=3.2 NETU 4M	E52-P10AY D=3.2 NETU 4M
E52-P7AY D=3.2 NETU 8M	E52-P10AY D=3.2 NETU 8M
E52-P7DY-2 1M	E52-P6DY 1M
E52-P82C-N D=4.8	E52-P100C-N D=4.8
E52-P85AY D=4.8 4M	E52-P100AY D=4.8 4M
E52-P85C-N D=8	E52-P100C-N D=8
E52-P8AY D=3.2 1M	E52-P10AY D=3.2 1M
E52-P8AY D=3.2 4M	E52-P10AY D=3.2 4M
E52-P90AY D=4.8 4M	E52-P100AY D=4.8 4M
E52-P90AY D=4.8 NETU 4M	E52-P100AY D=4.8 NETU 4M
E52-P90C-N D=10	E52-P100C-N D=10
E52-P90C-N D=4.8	E52-P100C-N D=4.8
E52-P90C-N D=6.4	E52-P100C-N D=6.4
E52-P90C-N D=8	E52-P100C-N D=8
E52-P9DY-2 4M	E52-P6DY 4M

**E52保护管直径变更**

停产产品	推荐的替代产品
E52-CA100AY D=1 NETU 2M	E52-CA100AY D=1.6 NETU 2M
E52-CA100AY D=1 2M	E52-CA100AY D=1.6 2M
E52-P20C-N-7 D=3.2	E52-P20C-N-7 D=4.8

**E52导线长度变更**

停产产品	推荐的替代产品
E52-CA10AY D=1.6 NETU 0.5M	E52-CA10AY D=1.6 NETU 1M
E52-CA10AY D=6.4 10M	E52-CA10AY D=6.4 8M+补偿导线
E52-CA100AY D=1.6 10M	E52-CA100AY D=1.6 8M+补偿导线
E52-CA10AY D=1 5M	E52-CA10AY D=1 8M
E52-CA10AY D=1.6 NETU 12M	E52-CA10AY D=1.6 NETU 8M+补偿导线
E52-CA10AY D=3.2 NETU 6M	E52-CA10AY D=3.2 NETU 8M
E52-CA15AY D=1 0.5M	E52-CA15AY D=1 1M
E52-CA15AY D=1 30M	E52-CA15AY D=1 8M+补偿导线
E52-CA15AY D=1.6 10M	E52-CA15AY D=1.6 8M+补偿导线
E52-CA15AY D=1.6 20M	E52-CA15AY D=1.6 8M+补偿导线
E52-CA15AY D=1.6 5M	E52-CA15AY D=1.6 8M

停产产品	推荐的替代产品
E52-CA15AY D=3.2 17M	E52-CA15AY D=3.2 8M+补偿导线
E52-CA15AY D=3.2 NETU 3M	E52-CA15AY D=3.2 NETU 4M
E52-CA15AY D=4.8 20M	E52-CA15AY D=4.8 8M+补偿导线
E52-CA15AY D=4.8 5M	E52-CA15AY D=4.8 58M
E52-CA15AY D=4.8 NETU 20M	E52-CA15AY D=4.8 NETU 8M+补偿导线
E52-CA15AY D=4.8 NETU 3M	E52-CA15AY D=4.8 NETU 4M
E52-CA15AY D=6.4 NETU 3M	E52-CA15AY D=6.4 NETU 4M
E52-CA15AY-7 D=3.2 10M	E52-CA20AY-7 D=3.2 2M+补偿导线
E52-CA1DY M6 10M	E52-CA1DY M6 8M+补偿导线
E52-CA1DY M6 6M	E52-CA1DY M6 8M
E52-CA1DY M8 0.5M	E52-CA1DY M8 1M
E52-CA1DY W1/4 3M	E52-CA1DY W1/4 4M
E52-CA1DY W1/4 5M	E52-CA1DY W1/4 8M
E52-CA1DY-40 M6 0.5M	E52-CA1DY-40 M6 1M
E52-CA1GTF 5M	E52-CA1GTF 2M+补偿导线
E52-CA1GTF 8M	E52-CA1GTF 2M+补偿导线
E52-CA1GTY-14 3M	E52-CA1GTY-14 4M
E52-CA1GTY-14 6M	E52-CA1GTY-14 8M
E52-CA20AY D=1 5M	E52-CA20AY D=1 8M
E52-CA20AY D=1.6 0.5M	E52-CA20AY D=1.6 1M
E52-CA20AY D=1.6 15M	E52-CA20AY D=1.6 8M+补偿导线
E52-CA20AY D=3.2 10M	E52-CA20AY D=3.2 8M+补偿导线
E52-CA20AY D=3.2 20M	E52-CA20AY D=3.2 8M+补偿导线
E52-CA20AY D=3.2 3M	E52-CA20AY D=3.2 4M
E52-CA20AY D=3.2 6M	E52-CA20AY D=3.2 8M
E52-CA20AY D=3.2 NETU 6M	E52-CA20AY D=3.2 NETU 8M
E52-CA20AY D=4.8 13M	E52-CA20AY D=4.8 8M+补偿导线
E52-CA20AY D=8 3M	E52-CA20AY D=8 4M
E52-CA20AY-1 D=4.6 5M	E52-CA20AY-1 D=4.6 2M+补偿导线
E52-CA20AY-1 D=6 5M	E52-CA20AY-1 D=6 2M
E52-CA20AY-7 D=4.8 4M	E52-CA20AY-7 D=4.8 2M+补偿导线
E52-CA20AY-7 D=6.4 1M	E52-CA20AY-7 D=6.4 2M
E52-CA25AY D=1.6 5M	E52-CA25AY D=1.6 8M
E52-CA25AY D=1.6 NETU 10M	E52-CA25AY D=1.6 NETU 8M+补偿导线
E52-CA25AY D=3.2 0.5M	E52-CA25AY D=3.2 1M
E52-CA25AY D=3.2 NETU 3M	E52-CA25AY D=3.2 NETU 4M
E52-CA2GVY 9M	E52-CA2GVY 8M+补偿导线
E52-CA35AY D=1.6 12M	E52-CA35AY D=1.6 8M+补偿导线
E52-CA35AY D=1.6 6M	E52-CA35AY D=1.6 8M
E52-CA35AY D=4.8 10M	E52-CA35AY D=4.8 8M+补偿导线
E52-CA35AY D=4.8 NETU 14M	E52-CA35AY D=4.8 NETU 8M+补偿导线
E52-CA35AY D=4.8 NETU 16M	E52-CA35AY D=4.8 NETU 8M+补偿导线
E52-CA35AY D=4.8 NETU 18M	E52-CA35AY D=4.8 NETU 8M+补偿导线
E52-CA35AY D=4.8 NETU 20M	E52-CA35AY D=4.8 NETU 8M+补偿导线
E52-CA35AY D=6.4 NETU 15M	E52-CA35AY D=6.4 NETU 8M+补偿导线
E52-CA35AY D=8 NETU 10M	E52-CA35AY D=8 NETU 8M+补偿导线



停产产品	推荐的替代产品
E52-CA50AY D=1.6 0.5M	E52-CA50AY D=1.6 1M
E52-CA50AY D=1.6 NETU 5M	E52-CA50AY D=1.6 NETU 8M
E52-CA50AY D=4.8 10M	E52-CA50AY D=4.8 8M+补偿导线
E52-CA50AY D=4.8 30M	E52-CA50AY D=4.8 8M+补偿导线
E52-CA50AY D=6.4 10M	E52-CA50AY D=6.4 8M+补偿导线
E52-CA50AY D=6.4 5M	E52-CA50AY D=6.4 8M
E52-CA5AY D=1.6 0.5M	E52-CA5AY D=1.6 1M
E52-CA5AY D=1.6 3M	E52-CA5AY D=1.6 4M
E52-CA5AY D=3.2 10M	E52-CA5AY D=3.2 8M+补偿导线
E52-CA5AY D=3.2 3M	E52-CA5AY D=3.2 4M
E52-CA5AY D=3.2 NETU 15M	E52-CA5AY D=3.2 NETU 8M+补偿导线
E52-CA6ASY 10M	E52-CA6ASY 8M
E52-CA6AY D=1 S2 3M	E52-CA6AY D=1 S2 1M+补偿导线
E52-CA6AY D=1 S2 5M	E52-CA6AY D=1 S2 1M+补偿导线
E52-CA6D-N 20M	E52-CA6D-N 4M+补偿导线
E52-IC15AY D=1.6 8M	E52-IC15AY D=1.6 4M+补偿导线
E52-IC15AY D=3.2 3M	E52-IC15AY D=3.2 4M
E52-IC15AY D=3.2 6M	E52-IC15AY D=3.2 4M+补偿导线
E52-IC15AY D=3.2 NETU 5M	E52-IC15AY D=3.2 NETU 4M+补偿导线
E52-IC1DY M6 7M	E52-IC1DY M6 4M+补偿导线
E52-IC1DY M8 5M	E52-IC1DY M8 4M+补偿导线
E52-IC20AY D=3.2 NETU 3M	E52-IC20AY D=3.2 NETU 4M
E52-IC6D-N 10M	E52-IC6D-N 4M+补偿导线
E52-IC6D-N 8M	E52-IC6D-N 4M+补偿导线
E52-P100AY D=3.2 10M	E52-P100AY D=3.2 8M+导线延长
E52-P100AY D=3.2 5M	E52-P100AY D=3.2 8M
E52-P10AEF 5M	E52-P10AEF 4M+导线延长
E52-P10AY D=3.2 20M	E52-P10AY D=3.2 8M+导线延长
E52-P10AY D=4.8 NETU 5M	E52-P10AY D=4.8 NETU 8M
E52-P10GPY 6M	E52-P10GPY 4M+导线延长
E52-P10GPY 8M	E52-P10GPY 4M+导线延长
E52-P10GRY 10M	E52-P10GPY 4M+导线延长
E52-P10GRY 30M	E52-P10GPY 4M+导线延长
E52-P10GRY 3M	E52-P10GPY 4M
E52-P10GRY 5M	E52-P10GPY 4M+导线延长
E52-P10GRY 9M	E52-P10GPY 4M+导线延长
E52-P15AY D=3.2 20M	E52-P15AY D=3.2 8M+导线延长
E52-P15AY D=3.2 40M	E52-P15AY D=3.2 8M+导线延长
E52-P15AY D=3.2 5M	E52-P15AY D=3.2 8M
E52-P15AY D=3.2 NETU 10M	E52-P15AY D=3.2 NETU 8M+导线延长
E52-P15AY D=4.8 3M	E52-P15AY D=4.8 4M
E52-P15AY D=4.8 5M	E52-P15AY D=4.8 8M
E52-P15AY D=4.8 NETU 3M	E52-P15AY D=4.8 NETU 4M
E52-P20AF D=4.8 NETU 10M	E52-P20AF D=4.8 NETU 8M+导线延长
E52-P20AY D=3.2 15M	E52-P20AY D=3.2 8M+导线延长
E52-P20AY D=3.2 20M	E52-P20AY D=3.2 8M+导线延长

停产产品	推荐的替代产品
E52-P20AY D=6.4 20M	E52-P20AY D=6.4 8M+导线延长
E52-P20AY D=6.4 NETU 3M	E52-P20AY D=6.4 NETU 4M
E52-P20AY-1 D=4.6 12M	E52-P20AY-1 D=4.6 2M+导线延长
E52-P20AY-1 D=4.6 3M	E52-P20AY-1 D=4.6 2M+导线延长
E52-P20AY-1 D=4.6 8M	E52-P20AY-1 D=4.6 2M+导线延长
E52-P20AY-1 D=6 3M	E52-P20AY-1 D=6 2M+导线延长
E52-P20AY-7 D=3.2 4M	E52-P20AY-7 D=3.2 2M+导线延长
E52-P20AY-7 D=4.8 3M	E52-P20AY-7 D=4.8 2M+导线延长
E52-P20AY-7 D=4.8 4M	E52-P20AY-7 D=4.8 2M+导线延长
E52-P20AY-7 D=4.8 5M	E52-P20AY-7 D=4.8 2M+导线延长
E52-P20AY-7 D=6.4 10M	E52-P20AY-7 D=6.4 2M+导线延长
E52-P2GSF 4M	E52-P2GSF 2M+导线延长
E52-P2GSY 20M	E52-P2GSY 8M+导线延长
E52-P35AY D=4.8 NETU 10M	E52-P35AY D=4.8 8M+导线延长
E52-P35AY D=6.4 NETU 10M	E52-P35AY D=4.8 8M+导线延长
E52-P50AY D=4.8 0.5M	E52-P50AY D=4.8 1M
E52-P50AY D=4.8 10M	E52-P50AY D=4.8 8M+导线延长
E52-P50AY D=4.8 5M	E52-P50AY D=4.8 8M
E52-P5AY-40 3M	E52-P5AY-40 4M
E52-P6DY 3M	E52-P6DY 4M
E52-P6DY 8M	E52-P6DY 4M+导线延长
E52-P6FY 10M	E52-P6FY 4M+导线延长
WCAG-N 11M	WCAG-N 15M
WCAG-N 12M	WCAG-N 15M
WCAG-N 13M	WCAG-N 15M
WCAG-N 3M	WCAG-N 4M
WCAG-N 6M	WCAG-N 8M
WCAH-N 12M	WCAH-N 15M
WCAH-N 24M	WCAH-N 30M
WCAH-N 40M	WCAH-N 50M

## E52保护管长度、端子形状变更

停产产品	推荐的替代产品
E52-CA105B-N D=4.8	E52-CA100C-N D=4.8
E52-CA11B-N D=3.2	E52-CA15C-N D=3.2

## E52保护管长度、导线长度变更

停产产品	推荐的替代产品
E52-CA12AY D=8 NETU 3M	E52-CA20AY D=8 NETU 4M
E52-CA10AY D=1 S1 4M	E52-CA12AY D=1 S1 1M+补偿导线
E52-CA12AY D=1 S1 10M	E52-CA12AY D=1 S1 1M+补偿导线
E52-CA12AY D=1 S1 3M	E52-CA12AY D=1 S1 1M+补偿导线
E52-CA135AY D=3.2 0.5M	E52-CA100AY D=3.2 1M
E52-CA16AY D=1.6 3M	E52-CA15AY D=1.6 4M
E52-CA22AY D=1.6 NETU 3M	E52-CA25AY D=1.6 NETU 4M
E52-CA25AY D=4.8 5M	E52-CA35AY D=4.8 8M
E52-CA28AY D=1.6 0.5M	E52-CA35AY D=1.6 1M

停产产品	推荐的替代产品
E52-CA30AY D=3.2 5M	E52-CA35AY D=3.2 8M
E52-CA30AY D=4.8 0.5M	E52-CA35AY D=4.8 1M
E52-CA30AY D=4.8 2M	E52-CA35AY D=4.8 2M
E52-CA30AY D=4.8 NETU 5M	E52-CA35AY D=4.8 NETU 8M
E52-CA31AY D=1.6 6M	E52-CA35AY D=1.6 8M
E52-CA32AY D=1.6 NETU 3M	E52-CA35AY D=1.6 NETU 4M
E52-CA33AY D=1.6 7M	E52-CA35AY D=1.6 8M
E52-CA55AY D=4.8 0.5M	E52-CA50AY D=4.8 1M
E52-CA58AY D=3.2 NETU 3M	E52-CA50AY D=3.2 NETU 4M
E52-CA5AE-N-2 22M	E52-CA10AE-N 4M+补偿导线
E52-CA60AY D=1 0.5M	E52-CA100AY D=1.6 1M
E52-CA65AY D=4.8 NETU 3M	E52-CA100AY D=4.8 NETU 4M
E52-CA6AY D=1.6 0.5M	E52-CA5AY D=1.6 1M
E52-CA6AY D=1.6 2M	E52-CA5AY D=1.6 2M
E52-CA6AY D=3.2 3M	E52-CA5AY D=3.2 4M
E52-CA6AY D=3.2 NETU 0.5M	E52-CA5AY D=3.2 NETU 1M
E52-CA7AY D=1.6 NETU 0.5M	E52-CA10AY D=1.6 NETU 1M
E52-CA7AY D=3.2 0.5M	E52-CA10AY D=3.2 1M
E52-CA7AY D=3.2 7M	E52-CA10AY D=3.2 8M
E52-CA80AY D=6.4 NETU 5M	E52-CA100AY D=6.4 NETU 8M
E52-CA8AY D=1 0.5M	E52-CA10AY D=1 1M
E52-CA8AY D=1.6 NETU 0.5M	E52-CA10AY D=1.6 NETU 1M
E52-CA8AY D=4.8 5M	E52-CA10AY D=4.8 8M
E52-CA8AY D=4.8 NETU 0.5M	E52-CA10AY D=4.8 NETU 1M
E52-CA9AY D=1.6 NETU 0.5M	E52-CA10AY D=1.6 NETU 1M
E52-CA9AY D=3.2 3M	E52-CA10AY D=3.2 4M
E52-CA9AY D=4.8 5M	E52-CA10AY D=4.8 8M
E52-IC35AY D=1 5M	E52-IC35AY D=1 4M+补偿导线
E52-IC35AY D=4.8 6M	E52-IC35AY D=4.8 4M+补偿导线
E52-P10AY-7 D=4.8 5M	E52-P20AY-7 D=4.8 2M+导线延长
E52-P120AY D=6.4 5M	E52-P100AY D=6.4 4M
E52-P12AY D=4.8 NETU 7M	E52-P15AY D=4.8 NETU 8M
E52-P130AY D=6.4 3M	E52-P100AY D=4.8 4M
E52-P13AY D=6.4 10M	E52-P20AY D=6.4 8M+导线延长
E52-P15AY D=6.4 5M	E52-P20AY D=6.4 8M
E52-P25AY D=3.2 NETU 6M	E52-P35AY D=3.2 NETU 8M
E52-P28AY D=3.2 3M	E52-P35AY D=3.2 4M
E52-P29AY D=3.2 20M	E52-P35AY D=3.2 8M+导线延长
E52-P40AY D=3.2 NETU 0.5M	E52-P50AY D=3.2 NETU 1M
E52-P40AY D=4.8 3M	E52-P50AY D=4.8 4M
E52-P40AY D=4.8 43M	E52-P50AY D=4.8 8M+导线延长
E52-P45AF D=4.8 10M	E52-P50AF D=4.8 8M+导线延长
E52-P45AY D=4.8 6M	E52-P50AY D=4.8 8M
E52-P60AY D=3.2 5M	E52-P50AY D=3.2 8M
E52-P75AY D=6.4 5M	E52-P100AY D=6.4 4M
E52-P7AY D=3.2 15M	E52-P10AY D=3.2 8M+导线延长
E52-P7AY D=3.2 3M	E52-P10AY D=3.2 4M
E52-P7AY D=3.2 5M	E52-P10AY D=3.2 8M

停产产品	推荐的替代产品
E52-P7AY D=3.2 NETU 5M	E52-P10AY D=3.2 NETU 8M
E52-P7DY-2 10M	E52-P6DY 4M+导线延长
E52-P8AY D=3.2 20M	E52-P10AY D=3.2 8M+导线延长
E52-P8AY D=3.2 NETU 10M	E52-P10AY D=3.2 NETU 8M+导线延长

**E52保护管长度、保护管直径、导线长度变更**

停产产品	推荐的替代产品
E52-P15AY-7 D=3.2 1M	E52-P20AY-7 D=4.8 2M

**E52端子形状变更**

停产产品	推荐的替代产品
E52-CA15B-N D=3.2	E52-CA15C-N D=3.2

**无推荐的替代产品**

停产产品	推荐的替代产品
E52-CA200AY D=1.6 2M	无推荐的替代产品。
E52-CA100AY-7 D=3.2 5M	无推荐的替代产品。
E52-CA100C-N-1 D=8.0	无推荐的替代产品。
E52-CA100C-N-6 D=6.4 L2=950	无推荐的替代产品。
E52-CA100C-N-7 D=10	无推荐的替代产品。
E52-CA100C-N-7 D=8	无推荐的替代产品。
E52-CA1100C-N-6 D=6.4 L2=1050	无推荐的替代产品。
E52-CA110C-N-6 D=6.4 L2=1050	无推荐的替代产品。
E52-CA120AY-7 D=6.4 NETU 1M	无推荐的替代产品。
E52-CA140AY-1 D=6 2M	无推荐的替代产品。
E52-CA140AY-1 D=6 NETU 1M	无推荐的替代产品。
E52-CA155C-N-6 D=6.4 L2=1500	无推荐的替代产品。
E52-CA15AY-7 D=3.2 NETU 1M	无推荐的替代产品。
E52-CA15AY-7 D=3.2 NETU 8M	无推荐的替代产品。
E52-CA180C-N D=4.8	无推荐的替代产品。
E52-CA200AY D=1 3M	无推荐的替代产品。
E52-CA200AY D=4.8 5M	无推荐的替代产品。
E52-CA200AY D=4.8 NETU 1M	无推荐的替代产品。
E52-CA200AY D=6.4 2M	无推荐的替代产品。
E52-CA200C-N D=3.2	无推荐的替代产品。
E52-CA20AY D=1 S1 5M	无推荐的替代产品。
E52-CA20AY D=1 S2 1M	无推荐的替代产品。
E52-CA20AY-1 D=4.6 NETU 2M	无推荐的替代产品。
E52-CA20AY-1 D=4.6 NETU 4M	无推荐的替代产品。
E52-CA20AY-7 D=3.2 NETU 1M	无推荐的替代产品。
E52-CA20D-N-2 4M	无推荐的替代产品。
E52-CA210AY D=4.8 NETU 4M	无推荐的替代产品。
E52-CA210C-N D=8	无推荐的替代产品。
E52-CA220AY D=4.8 NETU 4M	无推荐的替代产品。
E52-CA234C-N D=3.2	无推荐的替代产品。

停产产品	推荐的替代产品
E52-CA250AY D=3.2 NETU 2M	无推荐的替代产品。
E52-CA250AY D=4.8 NETU 4M	无推荐的替代产品。
E52-CA25AY-7 D=3.2 NETU 0.5M	无推荐的替代产品。
E52-CA25AY-7 D=3.2 NETU 2M	无推荐的替代产品。
E52-CA300AY D=8 NETU 1M	无推荐的替代产品。
E52-CA30AE-N-2 1M	无推荐的替代产品。
E52-CA30AY-1 D=6 5M	无推荐的替代产品。
E52-CA30AY-7 D=3.2 NETU 8M	无推荐的替代产品。
E52-CA35AY-1 D=6 NETU 2M	无推荐的替代产品。
E52-CA35AY-1 D=8 5M	无推荐的替代产品。
E52-CA35AY-7 D=4.8 2M	无推荐的替代产品。
E52-CA35C-N-19 D=10 D2=10	无推荐的替代产品。
E52-CA35C-N-7 D=3.2	无推荐的替代产品。
E52-CA3AE-N-2 2M	无推荐的替代产品。
E52-CA40AY-1 D=6 5M	无推荐的替代产品。
E52-CA40C-N-7 D=8	无推荐的替代产品。
E52-CA500AY D=1.6 4M	无推荐的替代产品。
E52-CA50AY-1 D=4.6 NETU 2M	无推荐的替代产品。
E52-CA50AY-1 D=6 1M	无推荐的替代产品。
E52-CA50AY-7 D=3.2 1M	无推荐的替代产品。
E52-CA50AY-7 D=3.2 NETU 1M	无推荐的替代产品。
E52-CA50AY-7 D=8 3M	无推荐的替代产品。
E52-CA50B-N D=22 SUS310	无推荐的替代产品。
E52-CA50C-N D=12 SUS310	无推荐的替代产品。
E52-CA50C-N D=22 SUS310	无推荐的替代产品。
E52-CA50C-N-1 D=8	无推荐的替代产品。
E52-CA55AY-1 D=6 NETU 1M	无推荐的替代产品。
E52-CA5AF D=3.2 1M	无推荐的替代产品。
E52-CA5AF D=3.2 2M	无推荐的替代产品。
E52-CA60AY-1 D=4.6 2M	无推荐的替代产品。
E52-CA65C-N-6 D=6.4 L2=600	无推荐的替代产品。
E52-CA6F-N-9 4M	无推荐的替代产品。
E52-CA70AY-1 D=6 NETU 4M	无推荐的替代产品。
E52-CA73AY D=1 S1 4M	无推荐的替代产品。
E52-CA75AY-7 D=4.8 NETU 1M	无推荐的替代产品。
E52-CA75C-N-1 D=4.6	无推荐的替代产品。
E52-CA75C-N-1 D=8	无推荐的替代产品。
E52-CA75C-N-7 D=8	无推荐的替代产品。
E52-CA80AY D=1 S1 4M	无推荐的替代产品。
E52-IC100AY D=3.2 NETU 3M	无推荐的替代产品。
E52-IC10AE-N 3M	无推荐的替代产品。
E52-IC116C-N D=8	无推荐的替代产品。
E52-IC12AY-1 D=4.6 NETU 1M	无推荐的替代产品。
E52-IC157C-N D=8	无推荐的替代产品。

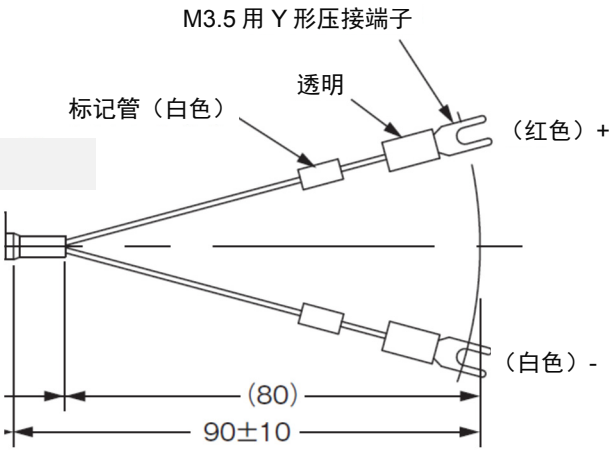
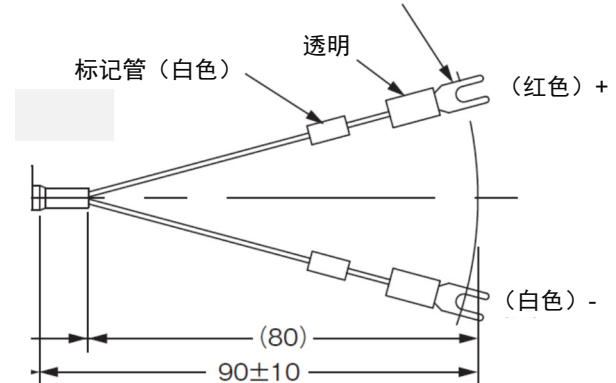
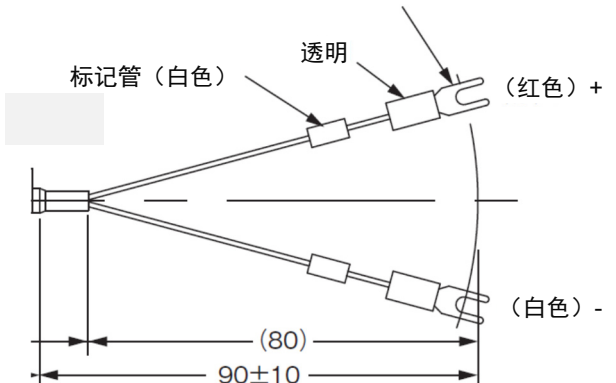
停产产品	推荐的替代产品
E52-IC40C-N-7 D=10	无推荐的替代产品。
E52-IC50AY D=1.6 NETU 4M	无推荐的替代产品。
E52-IC60AY D=1.6 NETU 1M	无推荐的替代产品。
E52-P100C-N-7 D=8	无推荐的替代产品。
E52-P105C-N-1 D=8	无推荐的替代产品。
E52-P10AY-5 D=3.2 4M	无推荐的替代产品。
E52-P10DY-2 2M	无推荐的替代产品。
E52-P10GRY-5 5M	无推荐的替代产品。
E52-P12DY-2 2M	无推荐的替代产品。
E52-P13AY-7 D=6.4 NETU 2M	无推荐的替代产品。
E52-P140C-N D=6.4	无推荐的替代产品。
E52-P147C-N D=6.4	无推荐的替代产品。
E52-P14AY-1 D=6 NETU 4M	无推荐的替代产品。
E52-P150AY-1 D=6 2M	无推荐的替代产品。
E52-P150C-N D=4.8	无推荐的替代产品。
E52-P150C-N D=6.4	无推荐的替代产品。
E52-P152C-N D=6.4	无推荐的替代产品。
E52-P15AY-24 D=1.6 2M	无推荐的替代产品。
E52-P15C-N-5 D=3.2	无推荐的替代产品。
E52-P160C-N D=4.8	无推荐的替代产品。
E52-P160C-N D=6.4	无推荐的替代产品。
E52-P168C-N D=6.4	无推荐的替代产品。
E52-P16C-N-1 D=4.6	无推荐的替代产品。
E52-P170C-N D=6.4	无推荐的替代产品。
E52-P17DY-2 2M	无推荐的替代产品。
E52-P180C-N D=6.4	无推荐的替代产品。
E52-P200AY D=4.8 5M	无推荐的替代产品。
E52-P200C-N D=6.4	无推荐的替代产品。
E52-P20C-N-5 D=3.2	无推荐的替代产品。
E52-P20C-N-5 D=8	无推荐的替代产品。
E52-P22DY-9 3M	无推荐的替代产品。
E52-P250AY D=6.4 1M	无推荐的替代产品。
E52-P29AY-1 D=6 2M	无推荐的替代产品。
E52-P2GSY-5 3M	无推荐的替代产品。
E52-P30AY-1 D=4.6 2M	无推荐的替代产品。
E52-P30C-N-19 D=10 D2=12 L1=20	无推荐的替代产品。
E52-P35AY-1 D=4.6 1M	无推荐的替代产品。
E52-P35AY-1 D=4.6 2M	无推荐的替代产品。
E52-P35AY-1 D=4.6 4M	无推荐的替代产品。
E52-P35AY-1 D=6 1M	无推荐的替代产品。
E52-P35AY-1 D=6 2M	无推荐的替代产品。
E52-P35AY-7 D=6.4 8M	无推荐的替代产品。
E52-P35C-N-5 D=8	无推荐的替代产品。
E52-P35C-N-7 D=10	无推荐的替代产品。

停产产品	推荐的替代产品
E52-P40AY-7 D=4.8 4M	无推荐的替代产品。
E52-P410C-N D=6.4	无推荐的替代产品。
E52-P440C-N D=6.4	无推荐的替代产品。
E52-P50AY-1 D=4.6 4M	无推荐的替代产品。
E52-P50AY-1 D=4.6 8M	无推荐的替代产品。
E52-P50AY-1 D=8 2M	无推荐的替代产品。
E52-P52AY-7 D=4.8 4M	无推荐的替代产品。
E52-P55AY-1 D=4.6 5M	无推荐的替代产品。
E52-P55C-N-19 D=8 D2=22	无推荐的替代产品。
E52-P57C-N-7 D=6.4	无推荐的替代产品。
E52-P6DY-5 4M	无推荐的替代产品。
E52-P6DY-9 4M	无推荐的替代产品。
E52-P6FY-5 2M	无推荐的替代产品。
E52-P6FY-5 4M	无推荐的替代产品。
E52-P6FY-9 2M	无推荐的替代产品。
E52-P70AY-1 D=6 2M	无推荐的替代产品。
E52-P71C-N-7 D=10	无推荐的替代产品。
E52-P75AY-1 D=6 2M	无推荐的替代产品。
E52-P7AY-5 D=3.2 2M	无推荐的替代产品。
E52-P80AF D=6.4 3M	无推荐的替代产品。
E52-P80AY D=4.8 1M	无推荐的替代产品。
E52-P80AY D=6.4 8M	无推荐的替代产品。
E52-P80C-N-7 D=6.4	无推荐的替代产品。
E52-P90C-N-1 D=8	无推荐的替代产品。
E52-PR72C-N D=15 PT1	无推荐的替代产品。
WCAG-N 200M	无推荐的替代产品。
WCAH-N 100M	无推荐的替代产品。
WCAH-N 60M	无推荐的替代产品。

### ■本体的颜色

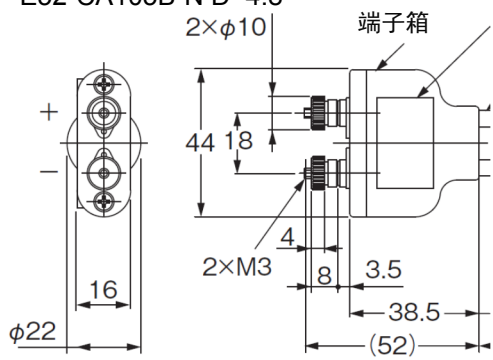
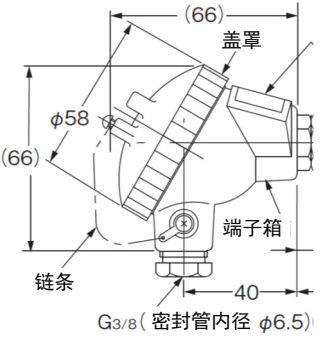
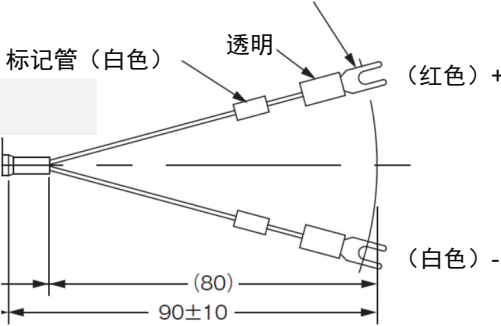
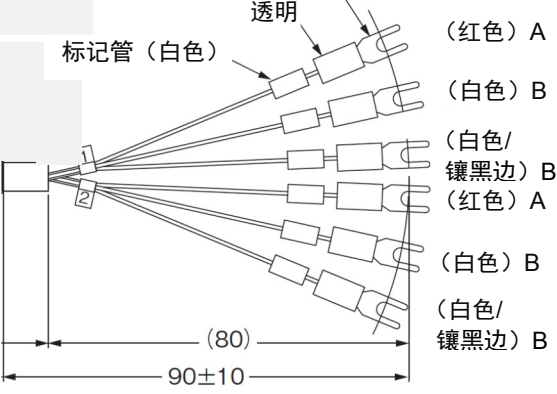
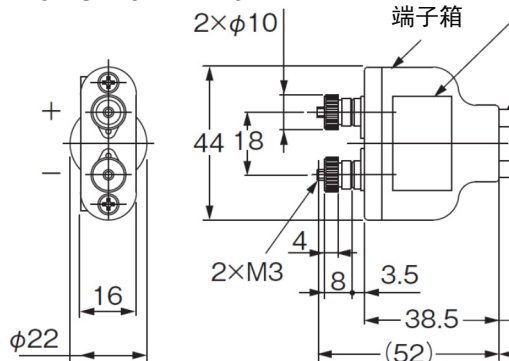
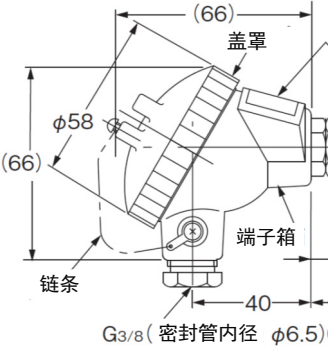
停产产品	推荐的替代产品
由于对象机型较多，请联系欧姆龙了解所需型号。	

端子配置/配线连接

停产产品	推荐的替代产品
<p><b>保护管长度变更的代表例</b> E52-CA11AY D=4.8 2M</p> <p>M3.5 用 Y 形压接端子</p>  <p>标记管 (白色) 透明 (红色) + (白色) -</p> <p>(80) 90±10</p>	<p><b>保护管长度变更的代表例</b> E52-CA10AY D=4.8 2M</p> <p>无变更</p>
<p><b>保护管直径变更的代表例</b> E52-CA100AY D=1 NETU 2M</p> <p>M3.5 用 Y 形压接端子</p>  <p>标记管 (白色) 透明 (红色) + (白色) -</p> <p>(80) 90±10</p>	<p><b>保护管直径变更的代表例</b> E52-CA100AY D=1.6 NETU 2M</p> <p>无变更</p>
<p><b>导线长度变更的代表例</b> E52-CA10AY D=1.6 NETU 0.5M</p> <p>M3.5 用 Y 形压接端子</p>  <p>标记管 (白色) 透明 (红色) + (白色) -</p> <p>(80) 90±10</p>	<p><b>导线长度变更的代表例</b> E52-CA10AY D=1.6 NETU 1M</p> <p>无变更</p>



端子配置/配线连接 (续)

停产产品	推荐的替代产品
<p><b>保护管长度、端子形状变更的代表例</b> E52-CA105B-N D=4.8</p> 	<p><b>保护管长度、端子形状变更的代表例</b> E52-CA100C-N D=4.8</p> 
<p><b>保护管长度、导线长度变更的代表例</b> E52-CA12AY D=8 NETU 3M M3.5用Y形压接端子</p> 	<p><b>保护管长度、导线长度变更的代表例</b> E52-CA20AY D=8 NETU 4M</p> <p>无变更</p>
<p><b>保护管长度、保护管直径、导线长度变更的代表例</b> E52-P15AY-7 D=3.2 1M M3.5用Y形压接端子</p> 	<p><b>保护管长度、保护管直径、导线长度变更的代表例</b> E52-P20AY-7 D=4.8 2M</p> <p>无变更</p>
<p><b>端子形状变更的代表例</b> E52-CA15B-N D=3.2</p> 	<p><b>端子形状变更的代表例</b> E52-CA15C-N D=3.2</p> 

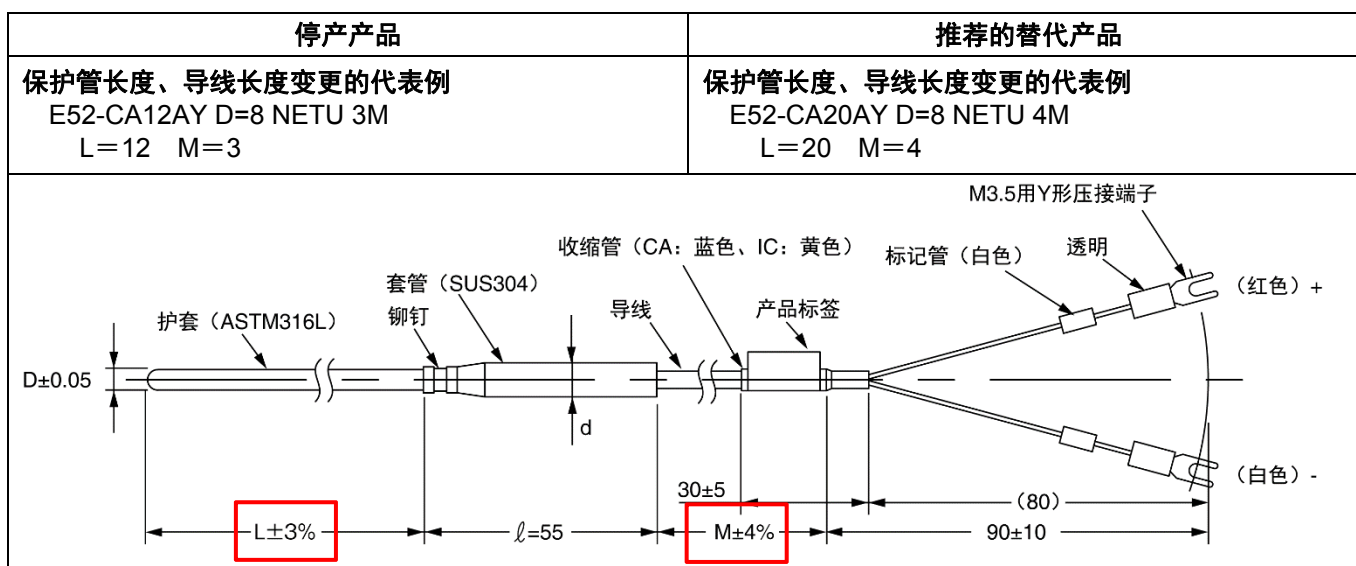
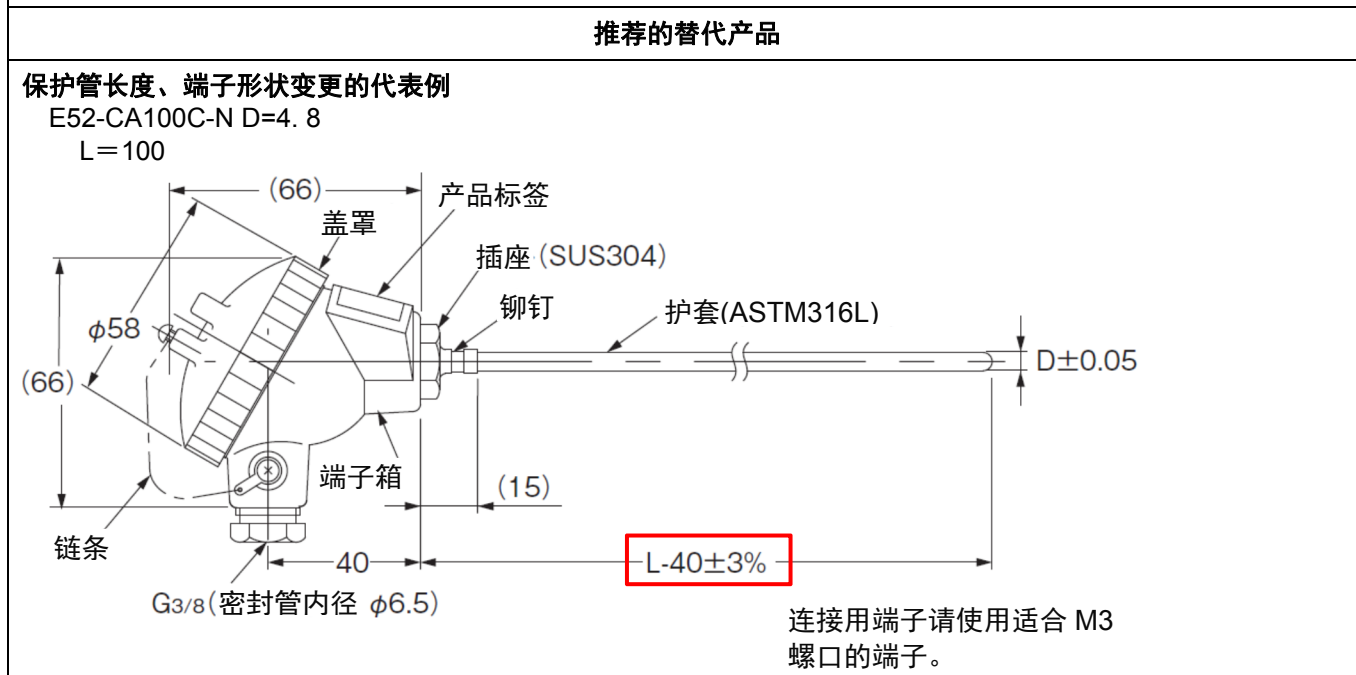
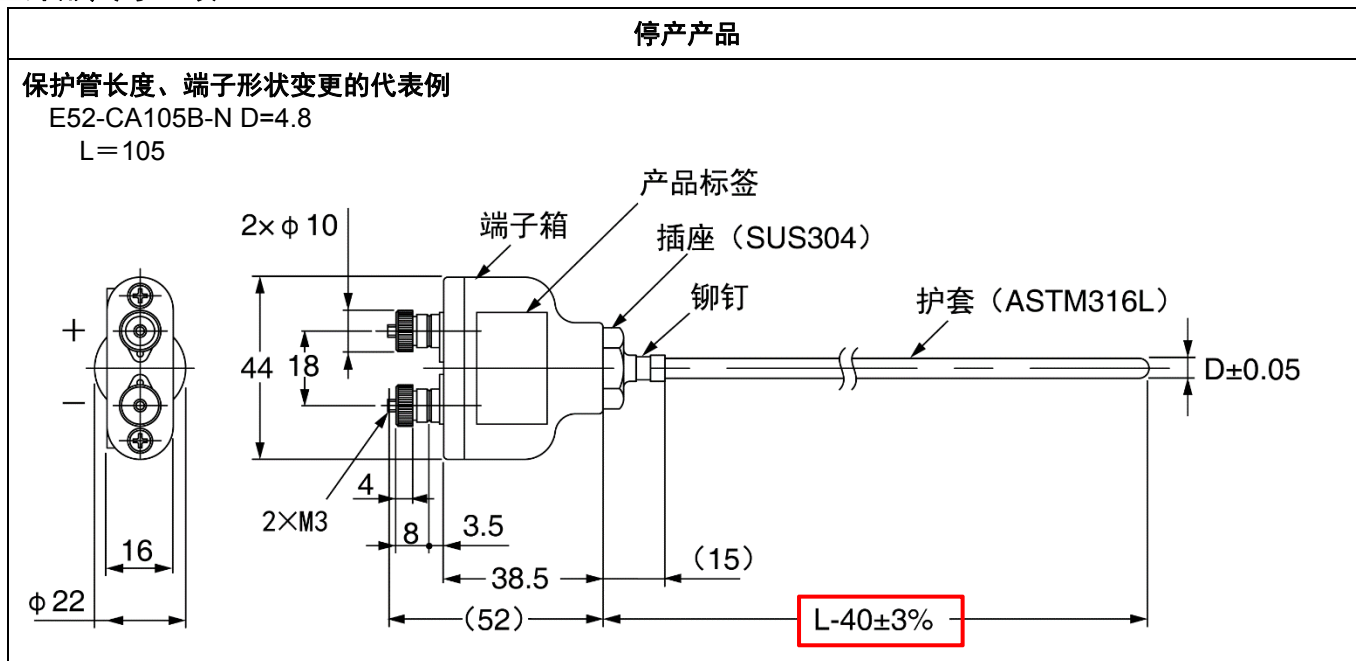
■ 安装尺寸

本产品可由客户根据产品形状和外形尺寸进行任意安装。  
安装相关的必要尺寸，请联系欧姆龙进行了解。

■ 外形尺寸

停产产品	推荐的替代产品
<p>保护管长度变更的代表例 E52-CA11AY D=4.8 2M L=11</p>	<p>保护管长度变更的代表例 E52-CA10AY D=4.8 2M L=10</p>
<p>保护管直径变更的代表例 E52-CA100AY D=1 NETU 2M D=1</p>	<p>保护管直径变更的代表例 E52-CA100AY D=1.6 NETU 2M D=1.6</p>
<p>导线长度变更的代表例 E52-CA10AY D=1.6 NETU 0.5M M=0.5</p>	<p>导线长度变更的代表例 E52-CA10AY D=1.6 NETU 1M M=1</p>

■外形尺寸 (续)



■外形尺寸 (续)

停产产品	推荐的替代产品
保护管长度、保护管直径、导线长度变更的代表例 E52-P15AY-7 D=3.2 1M L=15 D=3.2 M=1	保护管长度、保护管直径、导线长度变更的代表例 E52-P20AY-7 D=4.8 2M L=20 D=4.8 M=2

停产产品
端子形状变更的代表例 E52-CA15B-N D=3.2

推荐的替代产品
端子形状变更的代表例 E52-CA15C-N D=3.2
连接用端子请使用适合 M3 螺口的端子。

## ■ 额定规格/性能/动作特性

项目	停产产品 保护管长度变更的代表例 E52-CA11AY D=4.8 2M	推荐的替代产品 保护管长度变更的代表例 E52-CA10AY D=4.8 2M
元件种类	K (CA)	无变更
等级	2级 (0.75级)	无变更
温接点	非接地型	无变更
护套材质	ASTM316L	无变更
常用限度	800°C	无变更

项目	停产产品 保护管直径变更的代表例 E52-CA100AY D=1 NETU 2M	推荐的替代产品 保护管直径变更的代表例 E52-CA100AY D=1.6 NETU 2M
元件种类	K (CA)	无变更
等级	2级 (0.75级)	无变更
温接点	非接地型	无变更
护套材质	ASTM316L	无变更
常用限度	650°C	无变更

项目	停产产品 导线长度变更的代表例 E52-CA10AY D=1.6 NETU 0.5M	推荐的替代产品 导线长度变更的代表例 E52-CA10AY D=1.6 NETU 1M
元件种类	K (CA)	无变更
等级	2级 (0.75级)	无变更
温接点	非接地型	无变更
护套材质	ASTM316L	无变更
常用限度	650°C	无变更

项目	停产产品 保护管长度、端子形状变更的代表例 E52-CA105B-N D=4.8	推荐的替代产品 保护管长度、端子形状变更的代表例 E52-CA100C-N D=4.8
元件种类	K (CA)	无变更
等级	2级 (0.75级)	无变更
温接点	非接地型	无变更
护套材质	ASTM316L	无变更
常用限度	800°C	无变更

项目	停产产品 保护管长度、导线长度变更的代表例 E52-CA12AY D=8 NETU 3M	推荐的替代产品 保护管长度、导线长度变更的代表例 E52-CA20AY D=8 NETU 4M
元件种类	K (CA)	无变更
等级	2级 (0.75级)	无变更
温接点	非接地型	无变更
护套材质	ASTM316L	无变更
常用限度	900°C	无变更

### ■ 额定规格/性能/动作特性 (续)

项目	停产产品 保护管长度、保护管直径、导线长度变 更的代表例 E52-P15AY-7 D=3.2 1M	推荐的替代产品 保护管长度、保护管直径、导线长度变 更的代表例 E52-P20AY-7 D=4.8 2M
元件种类	K (CA)	无变更
等级	2级 (0.75级)	无变更
温接点	非接地型	无变更
护套材质	ASTM316L	无变更
常用限度	750°C	800°C

项目	停产产品 端子形状变更的代表例 E52-CA15B-N D=3.2	推荐的替代产品 端子形状变更的代表例 E52-CA15C-N D=3.2
元件种类	K (CA)	无变更
等级	2级 (0.75级)	无变更
温接点	非接地型	无变更
护套材质	ASTM316L	无变更
常用限度	750°C	无变更

### ■ 操作方法

本产品无相关项目。

本指南中记载的规格为发布时的最新内容。规格等如有变更，恕不另行通知。

本指南内记载了主要规格上的更改内容。有关使用注意事项等使用时必须了解的内容，请务必阅读产品目录、规格书、使用说明书和手册。