

Discontinuation Notice of Switch Mode Power Supply S8JC-Z / ZS series.**Product Discontinuation**

Switch Mode Power Supply

**Model S8JC-Z series
Model S8JC-ZS series****Recommended Replacement**

Switch Mode Power Supply

Model S8FS-C series**[Discontinuation date]**

The end of September, 2016

[Caution on recommended replacement]

Dimensions and Mounting Dimensions are different.

Mounting bracket is necessary to mount DIN rail.

There are models which have switch to change rated input voltage (100 VAC and 200 VAC).

Electrical characteristics is different.

[Difference from discontinued product]

Recommended replacement Model	Body Color	Dimensions	Wire connection	Mounting Dimensions	Characteristics	Operation ratings	Operation methods
S8FS-C series	**	--	* (depend on type)	--	*	*	*

** : Compatible

* : The change is a little/Almost compatible

-- : Not compatible

- : No corresponding specification

[Product Discontinuation and recommended replacement]

Configuration		Product discontinuation	Recommended replacement	
		Model	Model	DIN Rail mounting Bracket
Covered type	Bottom mounting	S8JC-Z01505C S8JC-ZS01505C-AC2	S8FS-C01505J (See note 1)	
		S8JC-Z01512C S8JC-ZS01512C-AC2	S8FS-C01512J (See note 1)	
		S8JC-Z01524C S8JC-ZS01524C-AC2	S8FS-C01524J (See note 1)	
		S8JC-Z01548C	(See note 2)	
		S8JC-Z03505C S8JC-ZS03505C-AC2	S8FS-C03505	
		S8JC-Z03512C S8JC-ZS03512C-AC2	S8FS-C03512	
		S8JC-Z03524C S8JC-ZS03524C-AC2	S8FS-C03524	
		S8JC-Z03548C	(See note 2)	
		S8JC-Z05005C S8JC-ZS05005C-AC2	S8FS-C05005	
		S8JC-Z05012C S8JC-ZS05012C-AC2	S8FS-C05012	
		S8JC-Z05024C S8JC-ZS05024C-AC2	S8FS-C05024	
		S8JC-Z05048C	S8FS-C05048	
		S8JC-Z10005C S8JC-ZS10005C-AC2	S8FS-C10005	
		S8JC-Z10012C S8JC-ZS10012C-AC2	S8FS-C10012	
		S8JC-Z10024C S8JC-ZS10024C-AC2	S8FS-C10024	
		S8JC-Z10048C	S8FS-C10048	
		S8JC-Z15005C S8JC-ZS15005C-AC2	S8FS-C15005	
		S8JC-Z15012C S8JC-ZS15012C-AC2	S8FS-C15012	
		S8JC-Z15024C S8JC-ZS15024C-AC2	S8FS-C15024	
		S8JC-Z15048C	S8FS-C15048	
		S8JC-Z35005C S8JC-ZS35005C-AC2	S8FS-C35005	
		S8JC-Z35012C S8JC-ZS35012C-AC2	S8FS-C35012	
		S8JC-Z35024C S8JC-ZS35024C-AC2	S8FS-C35024	

Note 1. Terminal block direction is different. (See outline drawing)

2. Model with 48 V is prepared upon the request.

Please contact your nearest OMRON representatives for details.

[Product Discontinuation and recommended replacement]

Configuration		Product discontinuation	Recommended replacement	
		Model	Model	DIN Rail mounting Bracket
Covered type	DIN Rail mounting	S8JC-Z01505CD S8JC-ZS01505CD-AC2	S8FS-C01505J	S82Y-FSC015DIN
		S8JC-Z01512CD S8JC-ZS01512CD-AC2	S8FS-C01512J	
		S8JC-Z01524CD S8JC-ZS01524CD-AC2	S8FS-C01524J	
		S8JC-Z01548CD	(See note)	
		S8JC-Z03505CD S8JC-ZS03505CD-AC2	S8FS-C03505J	S82Y-FSC050DIN
		S8JC-Z03512CD S8JC-ZS03512CD-AC2	S8FS-C03512J	
		S8JC-Z03524CD S8JC-ZS03524CD-AC2	S8FS-C03524J	
		S8JC-Z03548CD	(See note)	
		S8JC-Z05005CD S8JC-ZS05005CD-AC2	S8FS-C05005J	
		S8JC-Z05012CD S8JC-ZS05012CD-AC2	S8FS-C05012J	
		S8JC-Z05024CD S8JC-ZS05024CD-AC2	S8FS-C05024J	
		S8JC-Z05048CD	S8FS-C05048J	
		S8JC-Z10005CD S8JC-ZS10005CD-AC2	S8FS-C10005J	S82Y-FSC150DIN
		S8JC-Z10012CD S8JC-ZS10012CD-AC2	S8FS-C10012J	
		S8JC-Z10024CD S8JC-ZS10024CD-AC2	S8FS-C10024J	
		S8JC-Z10048CD	S8FS-C10048J	
		S8JC-Z15005CD S8JC-ZS15005CD-AC2	S8FS-C15005J	
		S8JC-Z15012CD S8JC-ZS15012CD-AC2	S8FS-C15012J	
		S8JC-Z15024CD S8JC-ZS15024CD-AC2	S8FS-C15024J	
		S8JC-Z15048CD	S8FS-C15048J	
		S8JC-Z35005CD S8JC-ZS35005CD-AC2	S8FS-C35005J	S82Y-FSC350DIN
		S8JC-Z35012CD S8JC-ZS35012CD-AC2	S8FS-C35012J	
		S8JC-Z35024CD S8JC-ZS35024CD-AC2	S8FS-C35024J	

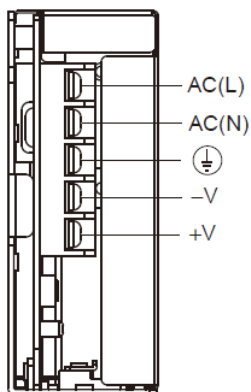
Note. Model with 48 V is prepared upon the request.

Please contact your nearest OMRON representatives for details.

[Wire connection]

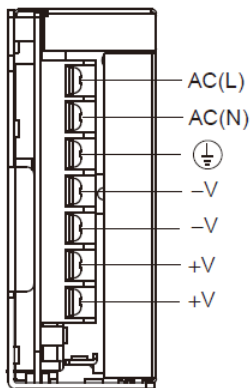
Product discontinuation
Model S8JC-Z / ZS series

15-/35-/50-W Models



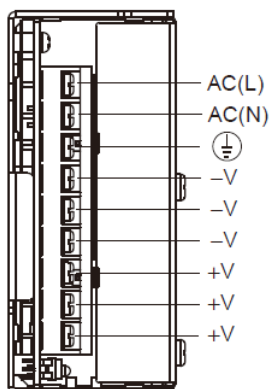
Note: The S8JC-Z05024C is shown above.

100-/150-/350(24 V)-W Models



Note: 1. The S8JC-Z10024C is shown above.
2. The rated current for output terminals is 25 A per terminal. Be sure to use multiple terminals simultaneously for current that exceeds the terminal rating. When applying a current of 25 A or more, use at least two terminals each for the positive and negative wires.

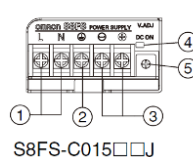
350(5 V, 12 V)-W Models



Note: The S8JC-Z35005C is shown above.

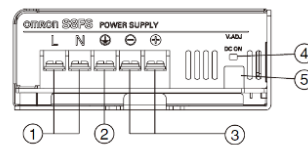
Recommendable replacement
Model S8FS-C series

15-W Models



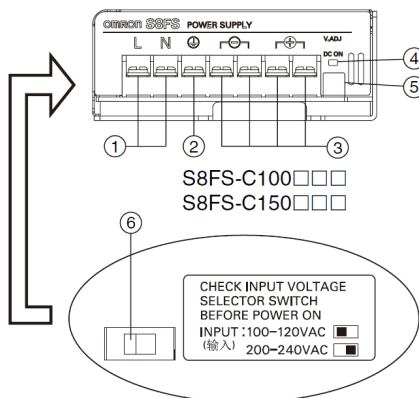
S8FS-C015□□J

35-W and 50-W Models

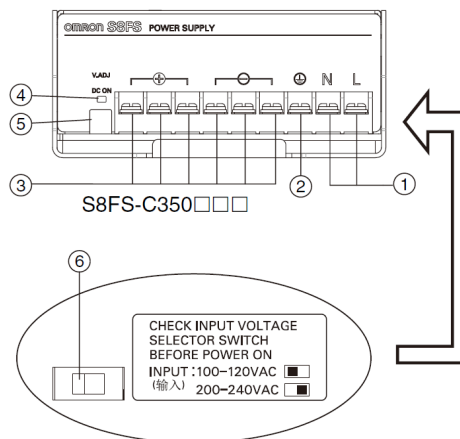


S8FS-C035□□□
S8FS-C050□□□

100-W and 150-W Models



350-W Models



[Dimensions]

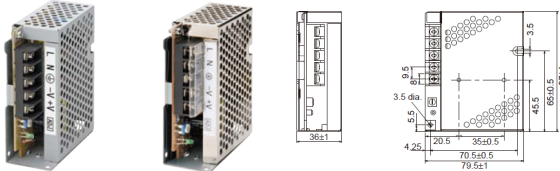
Product discontinuation
Model S8JC-Z / ZS series

15W Model

Bottom-mounting

S8JC-Z015□□C (15 W)

S8JC-ZS015□□C-AC2 (15 W)



Panel mounting holes dimensions

Surface screw mounting	
Side Mounting	Two, M3 65±0.5 70.5±0.5
Bottom Mounting	Two, M3 6.5±0.5 70.5±0.5

Note: The screws must not protrude more than 2 mm inside the Power Supply when screw holes provided on the chassis are used. If the dimensions are not correct, the Power Supply may be damaged.

35W / 50W Model

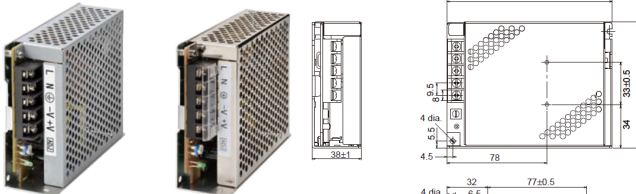
Bottom-mounting

S8JC-Z035□□C (35 W)

S8JC-ZS035□□C-AC2 (35 W)

S8JC-Z050□□C (50 W)

S8JC-ZS050□□C-AC2 (50 W)



Panel mounting holes dimensions

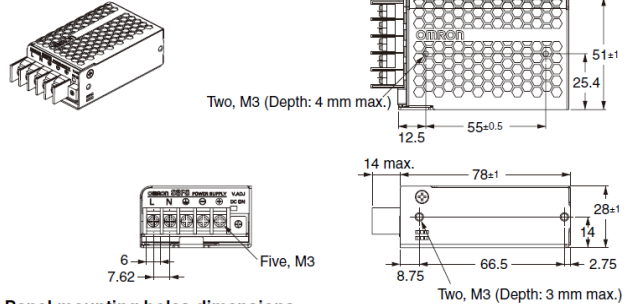
Surface screw mounting	
Side Mounting	Two, M3 85.5±0.5 122±0.5
Bottom Mounting	Three, M3 13±0.5 120±0.5

Recommendable replacement
Model S8FS-C series

15W Model

Bottom-mounting

S8FS-C015□□J (15 W)



Panel mounting holes dimensions

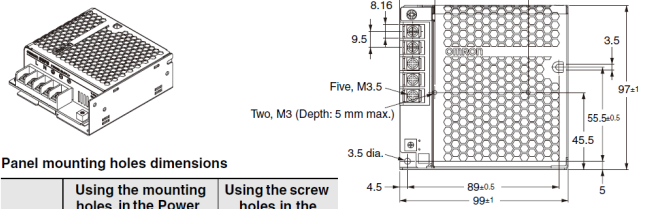
Using the screw holes in the Power Supply	
Bottom mounting	Two, 3.5 dia. 55±0.5
Side mounting	Two, 3.5 dia. 66.5±0.5

Note. Terminal block direction is changed from upper side to front side.

35W / 50W Model

Bottom-mounting

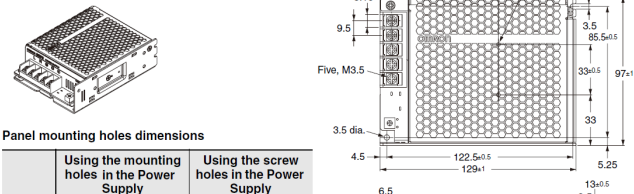
S8FS-C035□□ (35 W)



Panel mounting holes dimensions

	Using the mounting holes in the Power Supply	Using the screw holes in the Power Supply
Bottom mounting	Two, M3 89±0.5 55±0.5	Two, 3.5 dia. 55±0.5
Side mounting	Two, M3 87±0.5	Two, 3.5 dia. 74±0.5

S8FS-C050□□ (50 W)



Panel mounting holes dimensions

	Using the mounting holes in the Power Supply	Using the screw holes in the Power Supply
Bottom mounting	Two, M3 122±0.5 85±0.5	Two, 3.5 dia. 33±0.5
Side mounting	Three, M3 120±0.5 13±0.5	Three, 3.5 dia. 18±0.5 9±0.5 77±0.5

[Dimensions]

Product discontinuation
Model S8JC-Z / ZS series

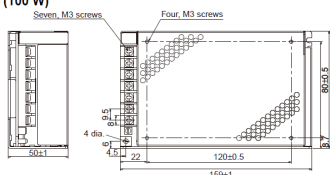
Recommendable replacement
Model S8FS-C series

100W / 5V Model

Bottom-mounting

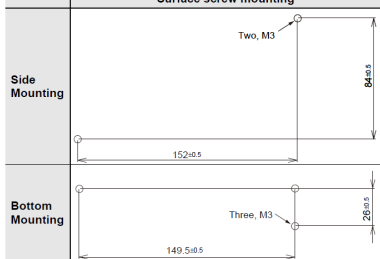
S8JC-Z10005C (100 W)

S8JC-ZS10005C-AC2 (100 W)



Panel mounting holes dimensions

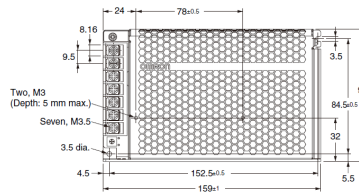
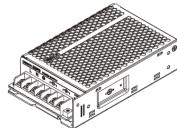
Surface screw mounting



100W Model

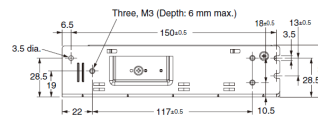
Bottom-mounting

S8FS-C100□□ (100 W)



Panel mounting holes dimensions

	Using the mounting holes in the Power Supply	Using the screw holes in the Power Supply
Bottom mounting	Two, M3 84.5±0.5 152.5±0.5	Two, 3.5 dia. 78±0.5
Side mounting	Three, M3 150±0.5 18±0.5	Three, 3.5 dia. 18±0.5 117±0.5



100W / 12 / 24 / 48V Model

Bottom-mounting

S8JC-Z10012C (100 W)

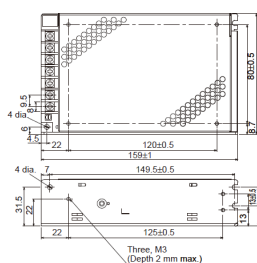
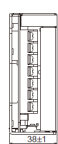
S8JC-ZS10012C-AC2 (100 W)

S8JC-Z10024C (100 W)

S8JC-ZS10024C-AC2 (100 W)

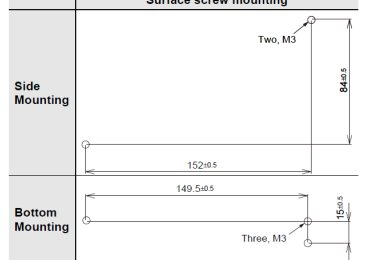
S8JC-Z10048C (100 W)

S8JC-ZS10048C (100 W)



Panel mounting holes dimensions

Surface screw mounting



[Dimensions]

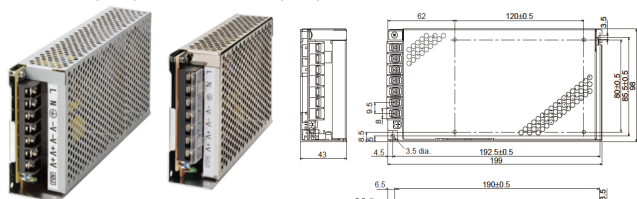
Product discontinuation
Model S8JC-Z / ZS series

Recommendable replacement
Model S8FS-C series

150W / 5V Model

Bottom-mounting

S8JC-Z15005C (150 W) S8JC-ZS15005C-AC2 (150 W)



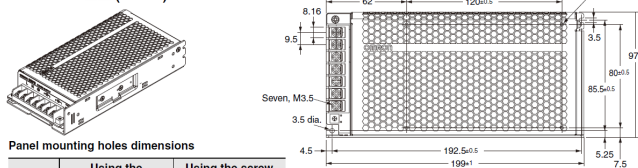
Panel mounting holes dimensions

Surface screw mounting	
Side Mounting	
Bottom Mounting	

150W Model

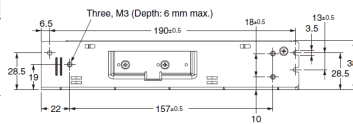
Bottom-mounting

S8FS-C150□□ (150 W)



Panel mounting holes dimensions

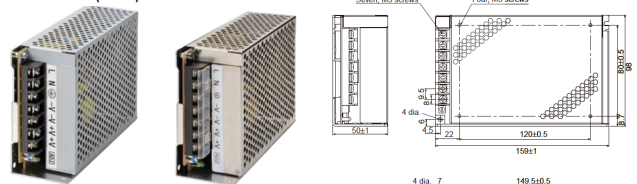
	Using the mounting holes in the Power Supply	Using the screw holes in the Power Supply
Bottom mounting		
Side mounting		



150W / 12 / 24 / 48V Model

Bottom-mounting

S8JC-Z15012C (150 W) S8JC-ZS15012C-AC2 (150 W)
S8JC-Z15024C (150 W) S8JC-ZS15024C-AC2 (150 W)
S8JC-Z15048C (150 W)



Panel mounting holes dimensions

Surface screw mounting	
Side Mounting	
Bottom Mounting	

[Dimensions]

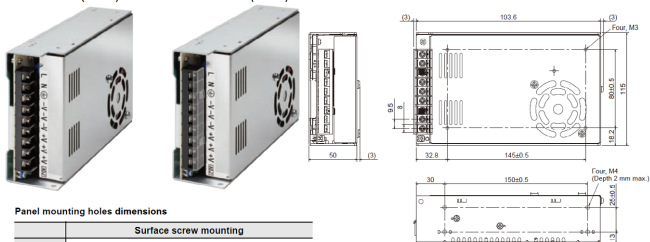
Product discontinuation
Model S8JC-Z / ZS series

Recommendable replacement
Model S8FS-C series

350W / 5 / 12V Model

Bottom-mounting

S8JC-Z35005C (350 W) S8JC-ZS35005C-AC2 (350 W)
S8JC-Z35012C (350 W) S8JC-ZS35012C-AC2 (350 W)



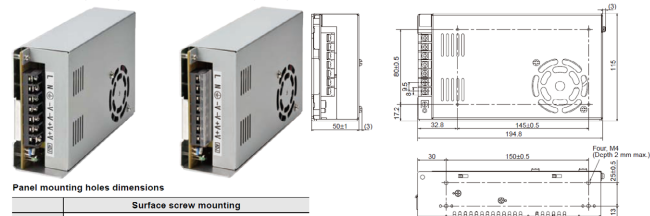
Panel mounting holes dimensions

Surface screw mounting	
Side Mounting	
Bottom Mounting	

350W / 24V Model

Bottom-mounting

S8JC-Z35024C (350 W) S8JC-ZS35024C-AC2 (350 W)



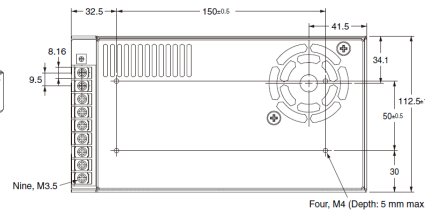
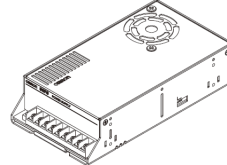
Panel mounting holes dimensions

Surface screw mounting	
Side Mounting	
Bottom Mounting	

350W Model

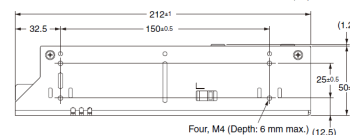
Bottom-mounting

S8FS-C350□□ (350 W)



Panel mounting holes dimensions

Using the screw holes in the Power Supply	
Bottom mounting	
Side mounting	



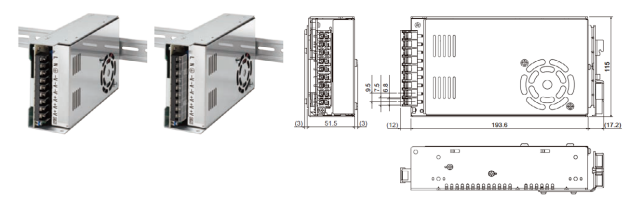
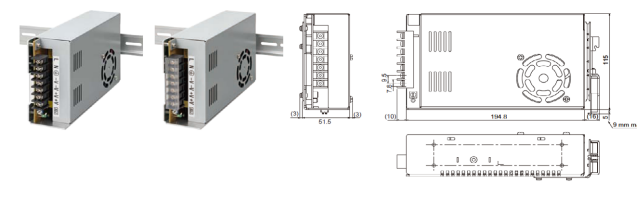
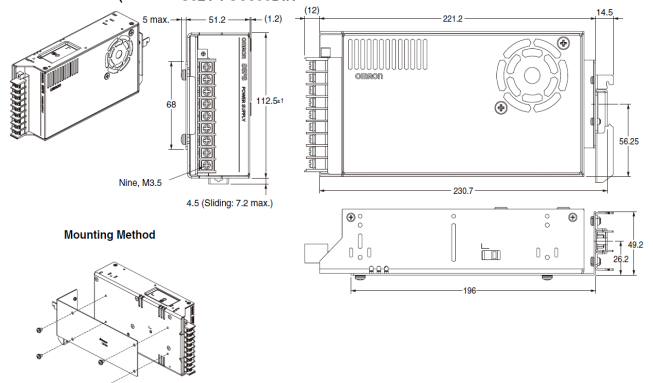
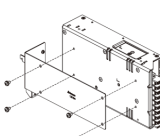
[Dimensions]

<p align="center">Product discontinuation Model S8JC-Z / ZS series</p>	<p align="center">Recommendable replacement Model S8FS-C series</p>
<p>15W Model</p> <p align="center">DIN Rail-mounting</p> <p>S8JC-Z015□□CD (15 W) S8JC-ZS01524CD-AC2 (15 W)</p>	<p>15W Model</p> <p align="center">DIN Rail-mounting</p> <p>S8FS-C015□□J (15 W) + S82Y-FSC015DIN</p> <p>Mounting Method</p> <p>Accessories (2 locations) Be sure to use the accessory screws. Mounting screw tightening torque: 0.48 to 0.59 N·m for M3 screws and 1.08 to 1.32 N·m for M4 screws</p>
<p>35W / 50W Model</p> <p align="center">DIN Rail-mounting</p> <p>S8JC-Z035□□CD (35 W) S8JC-ZS035□□CD-AC2 (35 W) S8JC-Z050□□CD (50 W) S8JC-ZS050□□CD-AC2 (50 W)</p>	<p>35W / 50W Model</p> <p align="center">DIN Rail-mounting</p> <p>S8FS-C035□□J (35 W) + S82Y-FSC050DIN S8FS-C050□□J (50 W)</p> <p>Mounting Method</p> <p>Accessories (2 locations) Be sure to use the accessory screws. Mounting screw tightening torque: 0.48 to 0.59 N·m for M3 screws and 1.08 to 1.32 N·m for M4 screws</p> <p>Note. Outline drawing is for 50 W.</p>

[Dimensions]

<p align="center">Product discontinuation Model S8JC-Z / ZS series</p>	<p align="center">Recommendable replacement Model S8FS-C series</p>
<p>100W / 5V Model DIN Rail-mounting</p> <p>S8JC-Z10005CD (100 W) S8JC-ZS10005CD-AC2 (100 W)</p>	<p>100W / 150W Model DIN Rail-mounting</p> <p>S8FS-C100□□J (100 W) S8FS-C150□□J (150 W) + S82Y-FSC150DIN</p> <p>Mounting Method</p> <p>Accessories (4 locations) Be sure to use the accessory screws. Mounting screw tightening torque: 0.48 to 0.59 N·m for M3 screws and 1.08 to 1.32 N·m for M4 screws</p>
<p>100W / 12 / 24 / 48V Model DIN Rail-mounting</p> <p>S8JC-Z10012CD (100 W) S8JC-ZS10012CD-AC2 (100 W) S8JC-Z10024CD (100 W) S8JC-ZS10024CD-AC2 (100 W) S8JC-Z10048CD (100 W)</p>	<p>Note. Outline drawing is for 150 W.</p>
<p>150W / 5V Model DIN Rail-mounting</p> <p>S8JC-Z15005CD (150 W) S8JC-ZS15005CD-AC2 (150W)</p>	
<p>150W / 12 / 24 / 48V Model DIN Rail-mounting</p> <p>S8JC-Z15012CD (150 W) S8JC-ZS15012CD-AC2 (150 W) S8JC-Z15024CD (150 W) S8JC-ZS15024CD-AC2 (150 W) S8JC-Z15048CD (150 W)</p>	

[Dimensions]

<p align="center">Product discontinuation Model S8JC-Z / ZS series</p>	<p align="center">Recommendable replacement Model S8FS-C series</p>
<p>350W / 5 / 12V Model DIN Rail-mounting</p> <p>S8JC-Z3505CD (350 W) S8JC-ZS3505CD-AC2 (350 W) S8JC-Z35012CD (350 W) S8JC-ZS35012CD-AC2 (350 W)</p>  <p>350W / 24V Model DIN Rail-mounting</p> <p>S8JC-Z35024CD (350 W) S8JC-ZS35024CD-AC2 (350 W)</p> 	<p>350W Model DIN Rail-mounting</p> <p>S8FS-C350□□J (350 W) + S82Y-FSC350DIN</p>  <p>Mounting Method</p>  <p>Accessories (4 locations) Be sure to use the accessory screws. Mounting screw tightening torque: 0.48 to 0.59 N·m for M3 screws and 1.08 to 1.32 N·m for M4 screws</p>

[Characteristics]

Item			Product discontinuation Model		Recommendable replacement Model
			S8JC-Z series	S8JC-ZS series	S8FS-C series
Input	Voltage range	AC	185 to 264 VAC		15 to 50 W 85 to 264 VAC 100 W 85 to 132 VAC / 176 to 264 VAC selectable 150 to 350 W 90 to 132 VAC / 180 to 264 VAC selectable
		DC	/		15 to 50 W 120 to 370 VDC 100 W 248 to 373 VDC 150 to 350 W 254 to 373 VDC
	Frequency		50 / 60 Hz (47 to 64 Hz)		50 / 60 Hz (47 to 450 Hz)
	Leakage current	115 VAC	/		0.5 mA max. (15 to 100 W, 350 W) 0.8 mA max. (150 W)
		230 VAC	1.0 mA max.		1.0 mA max.
	Inrush current (for a cold start at 25°C) (typical)	115 VAC	/		20 A (15 to 50 W) 40 A (100 W to 350 W)
		230 VAC	40 A		40 A

[Characteristics]

Item		Product discontinuation Model		Recommendable replacement Model	
		S8JC-Z series	S8JC-ZS series	S8FS-C series	
Additional functions	Overload protection	Yes		Yes	
	Overvoltage protection	Yes		Yes	
	Parallel operation	No		No (However, backup operation is possible, external diodes are required.)	
	Series operation	No		Yes (For up to 2 Power Supplies, external diodes are required.)	
Other	Dielectric strength (detection current: 20 mA)	Between all inputs and outputs	1.5 kVAC for 1 min.	3.0 kVAC for 1 min.	3.0 kVAC for 1 min.
		Between all inputs and PE terminals	1.5 kVAC for 1 min.	2.0 kVAC for 1 min.	2.0 kVAC for 1 min.
		Between all outputs and PE terminals	0.5 kVAC for 1 min.	1.0 kVAC for 1 min.	1.0 kVAC for 1 min.
	Vibration resistance	10 to 55 Hz, 0.26-mm single amplitude for 2 h each in X, Y, and Z directions		10 to 500 Hz, 0.26-mm half amplitude for 1 h each in X, Y, and Z directions	
Standards		None	Conformed standard CE (EN50178)	Approved Standards UL: cURus UL 60950-1 (Recognition) OVC II Pol2 CSA: cURus C22.2 No60950-1 Conformed Standards EN: EN 60950-1 OVC II Pol2	

Note. See the catalog for characteristics details.

Specifications and prices in this product news are as of the issue date and are subject to change without notice. Only main changes in specifications are described in this document. Please be sure to read the relevant catalogs, datasheets, product specifications, instructions, and manuals for precautions and necessary information when using products.