

Cat. No. W178-E1-1A

**SYSMAC  
S3200**

**SYSMAC NET**

**SYSTEM MANUAL**

**OMRON**



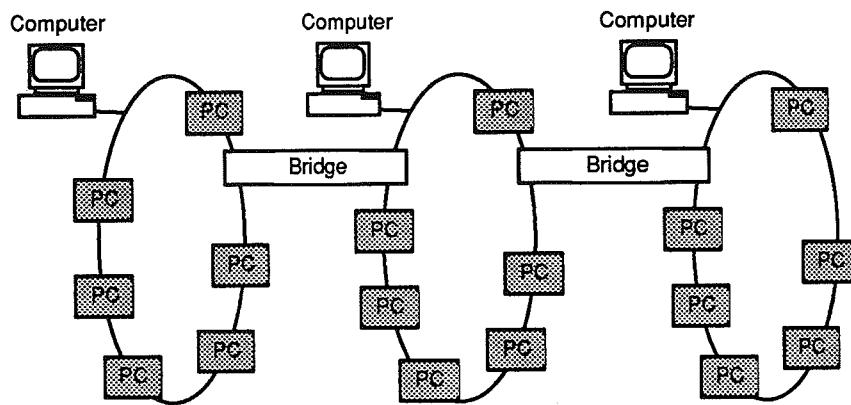




# SYSMAC NET

## SYSTEM MANUAL

*Revised March 1996*





## **Notice:**

OMRON products are manufactured for use according to proper procedures by a qualified operator and only for the purposes described in this manual.

The following conventions are used to indicate and classify warnings in this manual. Always heed the information provided with them.

**DANGER!** Indicates information that, if not heeded, could result in loss of life or serious injury.

**Caution** Indicates information that, if not heeded, could result in minor injury or damage to the product.

## **OMRON Product References**

All OMRON products are capitalized in this manual. The word "Unit" is also capitalized when it refers to an OMRON product, regardless of whether or not it appears in the proper name of the product.

The abbreviation "Ch," which appears in some displays and on some OMRON products, means "word" and is abbreviated "Wd" in documentation.

The abbreviation "PC" means Programmable Controller and is not used as an abbreviation for anything else.

## **Visual Aids**

The following headings appear in the left column of the manual to help you locate different types of information.

**Note** Indicates information of particular interest for efficient and convenient operation of the product.

**1, 2, 3...** Indicates lists of one sort or another, such as procedures, precautions, etc.

## **© OMRON, 1991**

All rights reserved. No part of this publication may be reproduced, stored in a retrieval system, or transmitted, in any form, or by any means, mechanical, electronic, photocopying, recording, or otherwise, without the prior written permission of OMRON.

No patent liability is assumed with respect to the use of the information contained herein. Moreover, because OMRON is constantly striving to improve its high-quality products, the information contained in this manual is subject to change without notice. Every precaution has been taken in the preparation of this manual. Nevertheless, OMRON assumes no responsibility for errors or omissions. Neither is any liability assumed for damages resulting from the use of the information contained in this publication.





# TABLE OF CONTENTS

## SECTION 1

<b>Introduction</b> .....	<b>1</b>
1-1 Local Area Networks .....	2
1-2 System Configuration .....	3

## SECTION 2

<b>SYSMAC NET Components</b> .....	<b>5</b>
2-1 Line Server .....	6
2-2 SYSMAC NET Link Units .....	6
2-3 Network Support Boards .....	12
2-4 FIT Support .....	17
2-5 SYSMAC NET Link Adapters .....	18
2-6 Network Service Units .....	19
2-7 Bridges .....	21
2-8 Optical-fiber Cable .....	23

## SECTION 3

<b>Network Communications</b> .....	<b>27</b>
3-1 Network Communications Software .....	28
3-2 Communications Format Differences .....	31
3-3 Data Flow .....	34
3-4 Routing Tables .....	34
3-5 Datagram Transmission Times .....	36
3-6 Data Link Transmission Times .....	37
3-7 Application Examples .....	38

## SECTION 4

<b>Troubleshooting Functions of the NSB</b> .....	<b>43</b>
4-1 Diagnostic Utilities .....	44
4-2 The Status Read Test .....	45
4-3 The Echo-back Test .....	46
4-4 The Broadcast Test .....	46

## Appendices

A Standard Models .....	49
B Specifications .....	51
C Software Files .....	53

<b>Glossary</b> .....	<b>55</b>
-----------------------	-----------

<b>Index</b> .....	<b>59</b>
--------------------	-----------

<b>Revision History</b> .....	<b>61</b>
-------------------------------	-----------



## ***About this Manual:***

This manual describes the SYSMAC NET Link System. The SYSMAC NET Link System is an industrial LAN (limited area network) that allows the user to efficiently integrate factory automation activities and to manage production information. Production information can be used to increase quality and productivity while decreasing down-time and unnecessary inventory. Up to 126 nodes can be connected to a network loop, with the option of increasing this number to virtually thousands by the use of Bridges between network loops. The SYSMAC NET can provide a cost-effective path from individual machine control, through cell and area control, to full factory automation.

This manual is organized as follows:

**Section 1** gives an overview of the SYSMAC NET and describe example system configurations.

**Section 2** introduces each of the Units that provide connection to the network. More specific information regarding any of these Units can be found in the individual manuals.

**Section 3** describes methods of transferring information between devices connected to the SYSMAC NET. It also describes some example applications and the programming required for these configurations.

**Section 4** introduces each of the three diagnostic tests that are included with the software of the Network Support Board (NSB). These tests are effective to identify the cause of an error on the network. For more specific information, refer to the *NSB Operation Manual*.

**Appendixes**, a **Glossary**, and an **Index** are also included.

Thoroughly familiarize yourself with the contents of this manual before installing the SYSMAC NET.



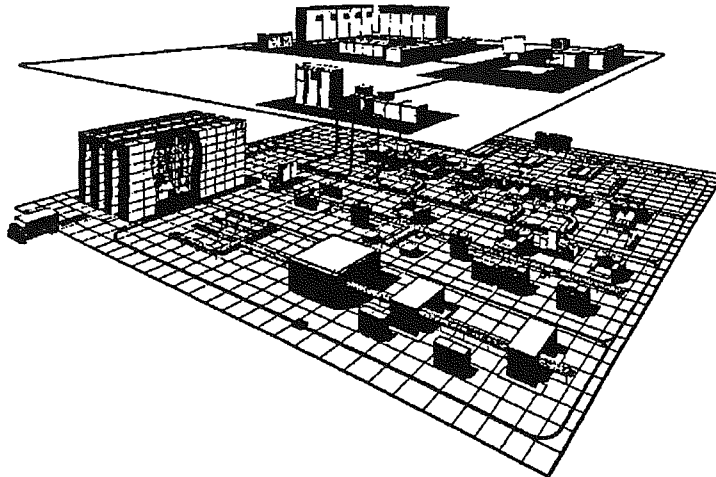
# SECTION 1

## Introduction

1-1 Local Area Networks .....	2
1-2 System Configuration .....	3

## 1-1 Local Area Networks

A Local Area Network is a network of computer equipment interconnected by dedicated communications channels for the purpose of data sharing. Each device connected to a network is called a node. Installing a LAN in a factory is similar to installing a phone system in an office building; while each node, or office, can continue to operate independently, the option also exists for information to be shared.



### Token Ring

The SYSMAC NET works in a loop configuration. Communications among nodes follows a protocol called token ring. The token ring architecture controls network communications by passing a token around the loop. A node can send data only when in possession of the token.

A SYSMAC NET token is generated by the Line Server (LS). This Unit is the only device on the network that is responsible for generating the initial token and monitoring the token. The Line Server can be set to generate a new token after a specified amount of time if the previous one has not returned. Every network loop must have one and only one Line Server.

### Routing Protocols

Internetwork routing protocols are based on the popular Transmission Control Procedure/Internet Protocol (TCP/IP) which was derived from the U.S. Defense Department's ARPANET. Maximum packet size is 2K bytes. This includes up to 2011 bytes of data in ASCII or binary (for numeric data) format. A variety of packet types are predefined, including datagrams, data link, diagnostic, and network management functions. These packets may be used with OMRON's network software to simplify interface of application programs to the SYSMAC NET hardware. In addition, the open architecture of SYSMAC NET allows custom packets and packet definitions to be defined by the user for those who wish to interface directly to the SYSMAC NET hardware. The latter option typically requires an assembly language program.

### Nodes

A SYSMAC NET can be composed of up to 126 nodes. The following are the major hardware components used to interface these devices to a SYSMAC NET.

Network Support Board (NSB): Interfaces IBM-PC/AT compatible computers with SYSMAC NET.

- SYSMAC NET Link Unit: Interfaces OMRON's Programmable Controllers (PCs) with SYSMAC NET.
- Network Service Unit (NSU): Interfaces to SYSMAC NET through two RS-232C ports. Allows synchronous or asynchronous communications up

to 9,600 bps using both ports, or 19,200 bps using only one port. An RS-422 version is also available.

- Local Bridge: Interfaces two SYSMAC NETs.

### Node Bypass

Two features are designed into SYSMAC NET's architecture to improve reliability. The first is a node bypass feature which allows communications through a node even if the device is powered-down. A local power supply is required at each node for implementation of this feature.

### Back-loop

The second feature is a back-loop. This feature operates by SYSMAC NET sending all data on a dual-ring configuration, allowing data to flow on a secondary path if an error is encountered along its primary path. The Optical-Fiber Cable is composed of two strands. If a cable is broken or a node is not functioning, then the stations on either side of the failure automatically direct data along the secondary path of the fiber with data flowing in the opposite direction. Back-looping helps to ensure that there is a reliable connection between network nodes.

### Optical-Fiber Cable

SYSMAC NET nodes are connected to each other by Optical-Fiber Cable. Optical-Fiber Cable is good in factory environments because it is resistant to the electrical interference present around high voltage electrical cables. Optical-Fiber Cable also gives the SYSMAC NET the ability to be extended for loop distances of up to 1 km between nodes with standard cables, or greater distances using special cables or a Repeater Unit.

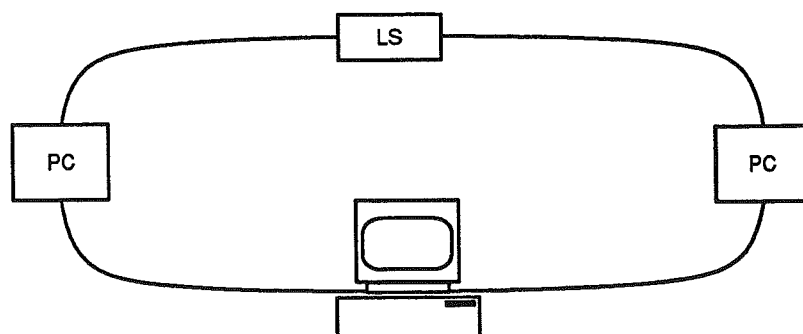
### Troubleshooting

Using the troubleshooting software provided with the Network Support Board, the location where back-looping is occurring can be identified. The damaged node or cables can then be corrected. The SYSMAC NET has troubleshooting software packaged with the Network Support Board. Every network should have at least one computer so that this software can be used. The software contains three tests that will isolate network problems. These tests are the Status Read, Echoback, and the Broadcast tests.

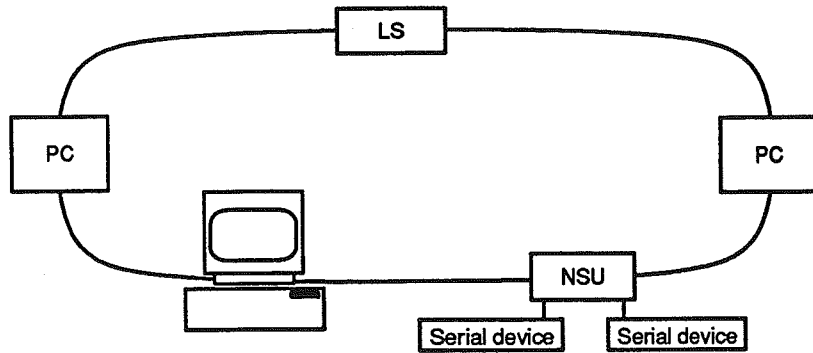
## 1-2 System Configuration

The SYSMAC NET can be used for high-speed data exchange among PCs or for monitoring any network device. PCs, the FIT, computers, and serial devices may be added to the network. This section will introduce some possible system configurations but will leave out the specific programming required for operation.

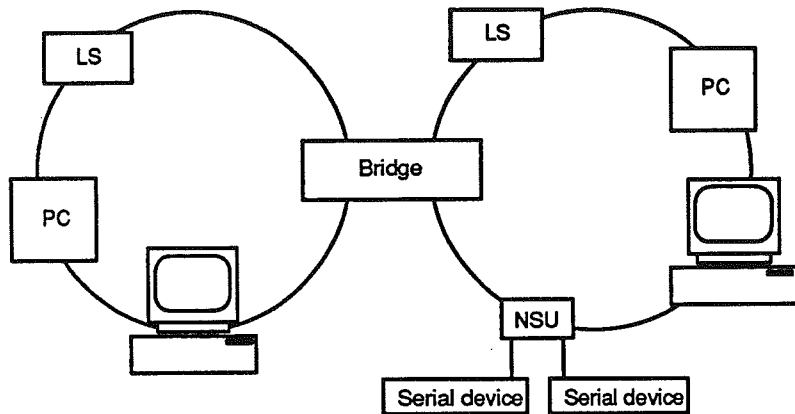
The minimum configuration for communications requires the Line Server and two nodes. At least one of the nodes should be a computer equipped with a Network Support Board.



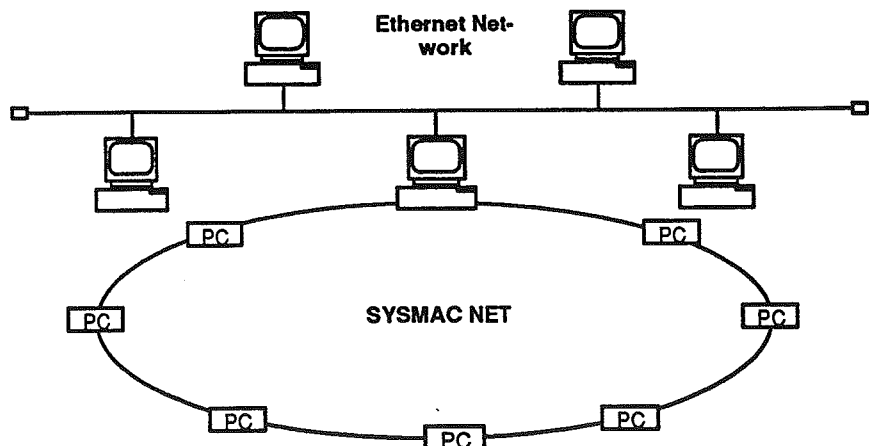
Many networks can be enhanced by use of an RS-232 serial device such as a printer. To attach these devices to the network, add a Network Service Unit. Each Network Service Unit can control two serial devices.



Eventually, it may become advantageous to combine two network loops together so that nodes from one network loop can communicate with the nodes on the other network loop. A Bridge is required to connect the two loops. Each of the network loops can have a maximum of 126 nodes including the bridge.



Finally, a computer can be used as a gateway to link the SYSMAC NET to other types of networks. The SYSMAC NET is compatible with TCP/IP (Transport Control Protocol/Interface Program) which allows it to connect to NOVELL SFT (Safety Fault Tolerance) Network. NOVELL Network is the most commonly used software for Ethernet Networks. The following example shows an Ethernet Network linked to a SYSMAC NET.





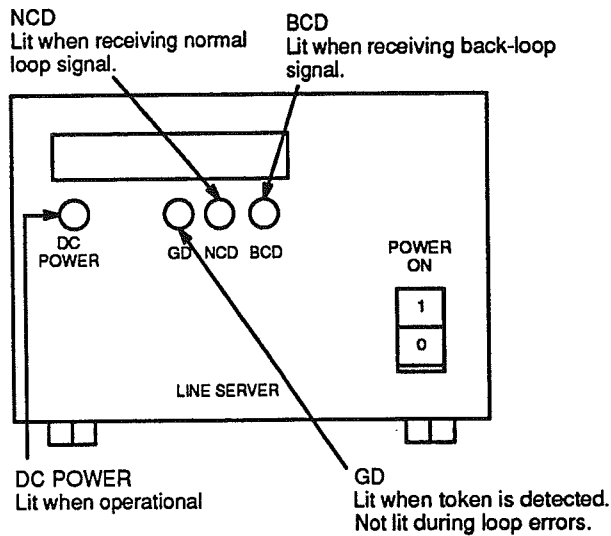
## SECTION 2

### SYSMAC NET Components

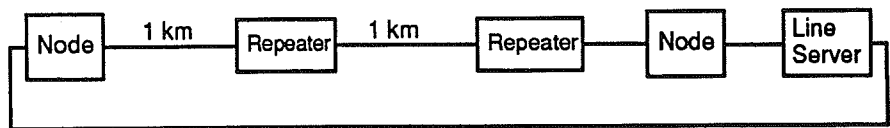
2-1	Line Server .....	6
2-2	SYSMAC NET Link Units .....	6
2-2-1	Data Format .....	7
2-2-2	Data Transmissions .....	9
2-3	Network Support Boards .....	12
2-3-1	Network Support Board Hardware .....	12
2-3-2	Network Support Board Software .....	14
2-4	FIT Support .....	17
2-5	SYSMAC NET Link Adapters .....	18
2-6	Network Service Units .....	19
2-7	Bridges .....	21
2-8	Optical-fiber Cable .....	23

## 2-1 Line Server

The purpose of the Line Server is to issue the initial token and monitor the network token. Once the token is generated, it travels to subsequent nodes in a **downstream** direction. Downstream is the normal direction the token travels, while **upstream** is the opposite direction. Each network loop must have one and only one Line Server, unless they are used as repeaters, as described next.



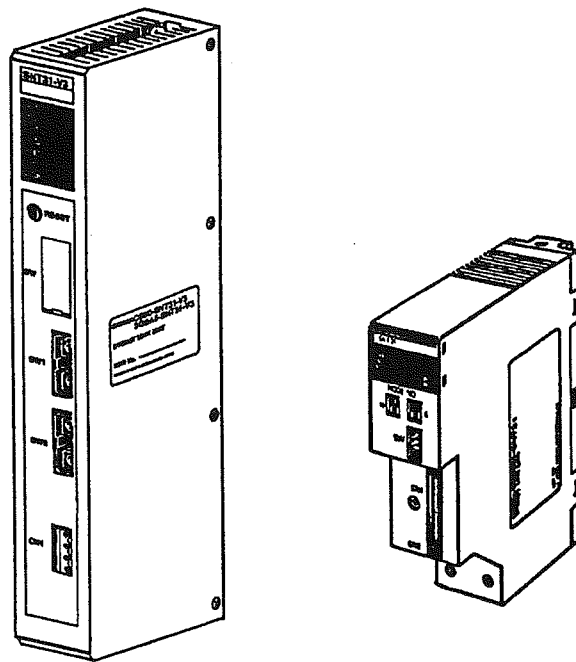
A repeater is required when the distance between two nodes of the network loop exceeds 1 km. When a repeater is required, a Line Server is set to function as a repeater. When functioning as a repeater, the Line Server only receives and re-transmits the token or datagram. The network loop can have up to two consecutive repeaters.



## 2-2 SYSMAC NET Link Units

The SYSMAC NET Link Unit is used to connect a PC to the SYSMAC NET. Once the PC is on the network, it can send data to and receive data from other nodes.

The SYSMAC NET Link Unit is mounted to a C200H, C500, C1000H, or C2000H CPU Rack. Like other SYSMAC NET devices, it has an SL1 and SL2 port for connecting the Optical-fiber Cables.



## 2-2-1 Data Format

The SYSMAC NET Link Unit can send information in ASCII or binary format. PCs must be set for one of these formats, and ASCII is usually chosen because it is easier to use. ASCII is converted to binary when communicating with the PC's CPU, so binary has a speed advantage. A single network loop can have communications in both binary and ASCII, as long as PCs share the same format.

### Programming

The SYSMAC NET Link Unit automatically issues a response when it receives a message from another node. Also, it expects to receive a response when it transmits to another node. The response notifies the Unit that the message was received by the node to which it was addressed. If the sending Unit does not receive a response, its Error Flag will turn ON and the ERR indicator will light.

When communicating between two PCs, the response is automatic. When sending a message from a computer to a PC, the SYSMAC NET Link Unit's response will be sent and the computer will ignore it unless otherwise programmed. However, if sending from a PC to a computer, a response must be written into the computer's program so that the PC receives a response.

Network messages are 2K bytes in length, and are composed of a header and data. Command and response information is located in the header portion of the message. The header can be further divided into the subheader code and the completion code. The subheader tells the Unit what command it should execute. The completion code is found only in the header of the response.

### Commands

The following table lists commands for the SYSMAC NET Link Unit. Also shown are the valid PC modes for the commands. Commands are valid in models labeled Yes and not valid in modes labeled No. For command details, refer to the *SYSMAC NET Link Unit Operation Manual*.

Subheader	PC Mode			Command
	RUN	MONITOR	PROGRAM	
\$00	Yes	Yes	Yes	IR/SR Area Read
\$01	No	Yes	Yes	IR Area Write
\$02	Yes	Yes	Yes	LR Area Read
\$03	No	Yes	Yes	LR Area Write
\$04	Yes	Yes	Yes	HR Area Read
\$05	No	Yes	Yes	HR Area Write
\$06	Yes	Yes	Yes	PV Area Read
\$07	No	Yes	Yes	PV Area Write
\$08	Yes	Yes	Yes	TC Area Read
\$09	No	Yes	Yes	TC Area Write
\$0A	Yes	Yes	Yes	DM Area Read
\$0B	No	Yes	Yes	DM Area Write
\$0C	Yes	Yes	Yes	SV Read 1
\$0D	Yes	Yes	Yes	SV Read 2
\$0E	No	Yes	Yes	SV Change 1
\$0F	No	Yes	Yes	SV Change 2
\$10	Yes	Yes	Yes	Status Read
\$11	Yes	Yes	Yes	Status Write
\$12	Yes	Yes	Yes	Error Read
\$13	No	Yes	Yes	Force Set/Reset
\$14	No	Yes	Yes	Force Set/Reset Cancel
\$15	Yes	Yes	Yes	I/O Register
\$16	Yes	Yes	Yes	I/O Read
\$17	Yes	Yes	Yes	Program Read
\$18	No	No	Yes	Program Write
\$1A	No	No	Yes	I/O Table Generation
\$1B	No	No	Yes	DM Size Change
\$1C	Yes	Yes	Yes	AR Area Read
\$1D	No	Yes	Yes	AR Area Write
\$1E	Yes	Yes	Yes	Data Link Status Read
\$1F	Yes	Yes	Yes	Data Link Table Read
\$20	Yes	Yes	Yes	Data Link Table Write
\$21	Yes	Yes	Yes	Data Link Start
\$22	Yes	Yes	Yes	Data Link Stop
\$23	Yes	Yes	Yes	Routing Table Set
\$24	Yes	Yes	Yes	Routing Table Read
\$25	Yes	Yes	Yes	Test
\$26	Yes	Yes	Yes	Initialize (Command)
\$27	Yes	Yes	Yes	FM Data Read
\$28	Yes	Yes	Yes	FM Index Read
\$29	Yes	Yes	Yes	FM Area Write
\$2A	Yes	Yes	Yes	Name Set
\$2B	Yes	Yes	Yes	Name Delete
\$2C	Yes	Yes	Yes	Name Read
\$2D	No	Yes	Yes	Time Set
\$2E	No	Yes	Yes	Multipoint Forced Set/Reset
\$2F	No	Yes	Yes	Multiple Forced Set/Reset Status Read
\$FF	Yes	Yes	Yes	Undefined Command Error (Response)
\$60	Yes	Yes	Yes	Data Transmit (Only transmitted to a PC)
61F	Yes	Yes	Yes	Data Request (Only transmitted to a PC)

**Completion Codes**

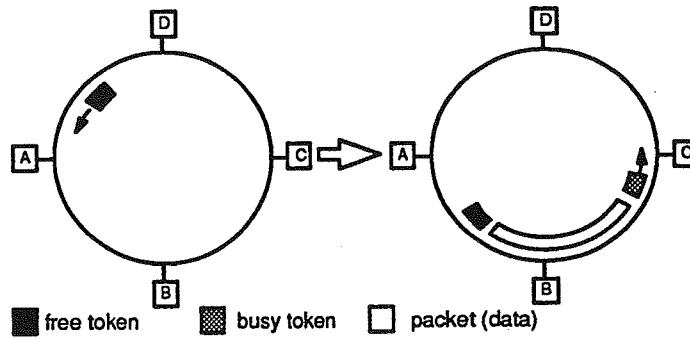
The next table lists the completion codes in hexadecimal, with their explanations.

Code X16 <sup>1</sup> x16 <sup>0</sup> (Hexadecimal)	Error Contents
0 0	Normal completion
0 1	Not executable in RUN mode
0 2	Not executable in MONITOR mode
0 3	Not executable in PROGRAM mode
0 4	Not executable in during the debug operation
0 5	Not executable in STANDBY mode
0 6	Not executable because SYSMAC NET Link Unit is busy
0 7	Not executable with present I/O register
0 9	Not executable because of changed CPU
0 A	Not executable because of "protect"
0 B	File memory not initialized (not executable)
1 0	Format error (parameter length error)
1 1	Parameter error, data code error, data length error, code error, etc.
1 2	Instruction not found
1 3	Address overflow
1 4	Block number error
2 0	Not executable due to error or impossible DM size change
2 1	Not executable due to CPU error
2 2	Not executable because there is no memory mounted
2 3	Not executable with only 8K bytes of memory
2 4	Not executable with PROM
2 5	I/O table generation impossible (unrecognized Remote I/O Unit, word over, duplication of Optical I/O Unit, I/O bus error)
2 6	Not a Control Unit (not executable)
2 7	Sum check error
2 8	EEPROM is write-protected
2 9	Not executable because there is no network path setting
3 A	Not executable because of a routing table error
3 0	Data link table generation is impossible (data link operation, default table)
3 1	Not executable because of data link start-up
3 2	Not executable because the data link is not operating
3 3	Not executable because of a data link table error
3 4	Not executable because the data link table has not been registered
3 5	Not a Master (not executable)

**2-2-2 Data Transmissions**

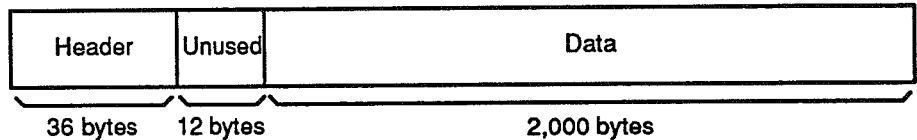
When a node receives a free token, it has the option to transmit data to any other node. This is the only time the node is allowed to transmit. When a node is ready to transmit data it must wait for a free token. When it detects

the free token, it designates the free token as a busy or used token. Then, the transmitting node attaches the data. When the node has completed transmission of the data, it generates and attaches a free token. The free token is then available to the rest of the network. The token ring network allows only the node with the free token to transmit data on the network.



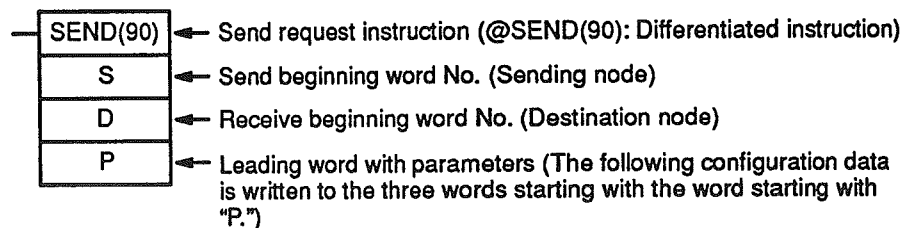
**Datagrams**

Data is transmitted in the form of a datagram. Datagrams are 2K-byte (2048 bytes) packets that are composed of a header and the data being sent. The 36-byte header contains the address of the sending node and the address of the node that is to receive the datagram. There are 12 bytes unused at present. The remaining 2,000 bytes of the packet are available for the data being sent to the receiving node.



The 2,000 bytes available for information correspond to 500 words of data if using ASCII. If using binary format, they correspond to 1,000 words. Sending data in ASCII format is easier because BASIC can be used for programming; however, it is more cumbersome to send this more complex format on the network. The header does not contain information stating whether the data that follows is in ASCII or binary, so this has to be known and programmed. The same network loop can have both ASCII and binary communications, but communications between any two nodes must be in the same format.

Information can be sent to any available memory area of another PC, or to any other node of the network. Use standard send and receive instructions with datagrams as described in the following diagram.



Word	4th, 3rd digit	2nd, 1st digit
<b>P</b>	NUMBER OF SENDING (receiving) words: \$0000 to \$03E0 (0 to 1000)	
<b>P + 1</b>	Kind of node If it is an NSB or NET Link Unit: 00 If it is an NSU: 01	Destination network \$00 to \$7F (0 to 127) 00 for involved or local network
<b>P + 2</b>	Port No. If it is an NSB or NET Link Unit: 00 If it is an NSU: 01 or 02	Destination node (Receiving node) Node No: \$01 to \$7E ( 1 to 126)

Datagrams are sent in 2K-byte packages, whereas the size of a data link is determined by the number of slaves that are established and the delay time set on the master. Datagrams can be sent to any node of a network loop, making the maximum number of recipients of a datagram far exceed possible recipients of a data link. Both data links and datagrams can be sent to other network loops across network bridges.

Data links should be established between PCs if a group of PCs will be communicating with each other frequently. If communications are more likely to be with a variety of network nodes, then datagrams should be used. The amount of network traffic makes predicting timing of transfers difficult. When using both transfer types, datagrams have priority with both the sending and receiving Node.

**Data Links**

Data links can be also used to transfer data. Data links differ from datagrams in that data links are more direct. If two PCs will often be sending information to each other and seldom sending information to other nodes of the network, then establishing a data link is advantageous. Information is then directed to a memory area of the PC specified by the SW1 switch or by programming.

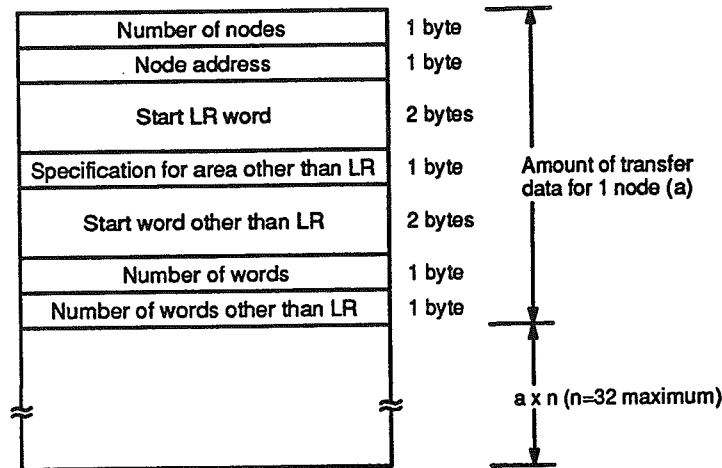
Data links are established by making one PC a master and other PCs slaves. The master is responsible for starting and stopping transmission operation of the slaves. If the data link's master fails, the slaves in the data link will not function. The master of the data link may be set to function as a slave while it is also functioning as master. The setting is done with the PC's DIP switches. Information is then sent to the same data area of all slaves. The master determines when nodes can begin transmitting, but slaves transfer directly to each other, not through the master.

The following data areas can be used for the data link area.

	C200H	C500	C1000H	C2000H Simplex	C2000H Duplex
<b>LR</b>	0 to 63	0 to 31	0 to 63	0 to 63	0 to 63 (In units of 2 words)
<b>DM</b>	0 to 999	0 to 511	0 to 4095	0 to 4095	---

A single network loop can have several data links established. Data links must not overlap. Up to four masters can be assigned in one network loop. Each of these masters can have up to 32 slaves. Keeping the number of data links to a minimum makes transfer timing more consistent.

Data link tables are sent to the master as described in the SYSMAC NET Link Unit Operation Manual. The tables can either be set with the Programming Console, the FIT, or the GPC. The master is the only Unit in the data link layer with this table. The tables have the following format.



<b>Number of nodes</b>	Nodes in the level (2 to 32)
<b>Node address</b>	\$01 through \$7E (1 through 126) Do not set the same address for more than one node.
<b>Start LR word</b>	First LR word for the relevant node's data. Set an even word number for the first word.
<b>Specification for area other than LR</b>	0: IR area 1: HR area 2: DM area
<b>Start word other than LR</b>	First word of the specified data area for the relevant node's data. Set an even word number for the first word.

Transmitted data is then sent to the same data area of all slaves. If a PC is set to receive data into a data area which is not valid, the portion of data incoming to the invalid range is ignored. The SYSMAC NET Link Unit's LINK indicator will blink, indicating an error on this PC.

The data link master must have a set time to wait between messages it is directing. Set the length of this time considering how many slaves it is connected to. Setting a 100-ms delay on a master with 10 slaves is recommended.

The time required for transfers using data links is determined by network factors such as the number of nodes in the data link. Datagram SEND(90) and RECV(98) instructions are processed before data link instructions. For more information, refer to *Section 3 Network Communications*, or the *SYSMAC NET Link Unit Operation Manual*.

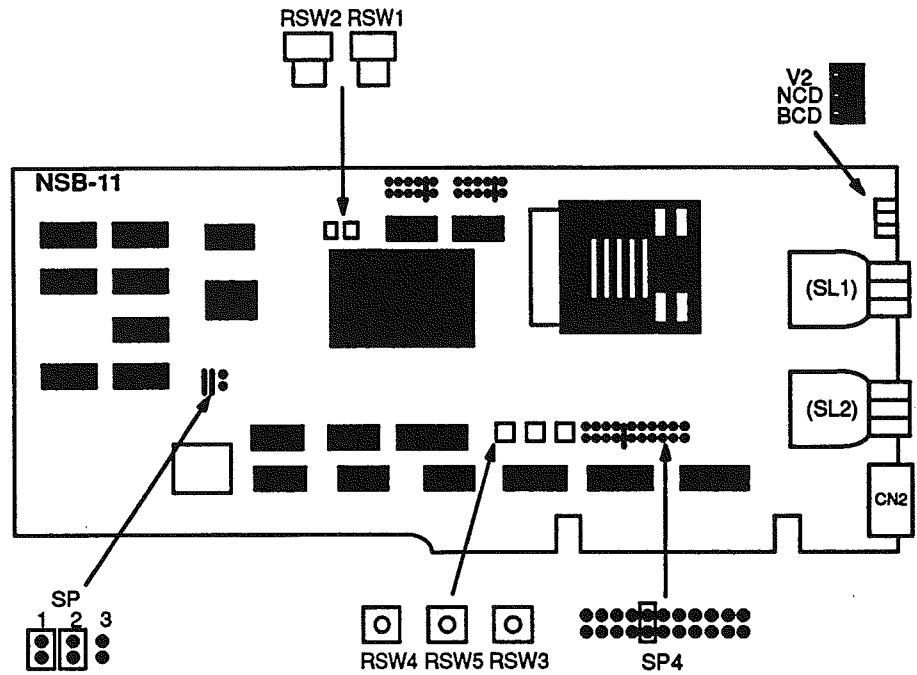
## 2-3 Network Support Boards

Network Support Boards are used with IBM PC-AT-compatible computers. A similar board is available for the FC-series computers in Japan. These interface boards allow the computer to exchange data with other nodes on the SYSMAC NET local area network. The board occupies a single full-sized slot in an IBM PC-AT-compatible computer and links the computer with the SYSMAC NET. The Network Support Board is shipped with software for data exchange and troubleshooting. This section introduces the Network Support Board, with more specific information available in the *Network Support Board Operation Manual*.

### 2-3-1 Network Support Board Hardware

The Network Support Board (NSB) operates with MS/PC-DOS versions 2.00 or higher on computers with a minimum of 256K bytes of RAM. It has the following appearance.





Three indicators can be seen from the back of the computer when the board has been installed. During normal operation, the NCD and BCD should be lit. This indicates that both normal and back-loop paths are functional. The V2 indicator indicates that power is being supplied from the Local Power Supply.

The NSB transfers data between the SYSMAC NET and the computer using fifteen, 2K-byte receive buffers and one 2K-byte send buffer. The computer is accessed via direct memory access. The node number, interrupt vector, and I/O address are set using the switches present on the board. Set these before installing the board in the computer.

**Settings**

The hexadecimal node number is set with rotary DIP switches 1 and 2. Any number 01 through 7E is valid. There are 126 valid addresses in this range and each node on the network loop must have a unique address.

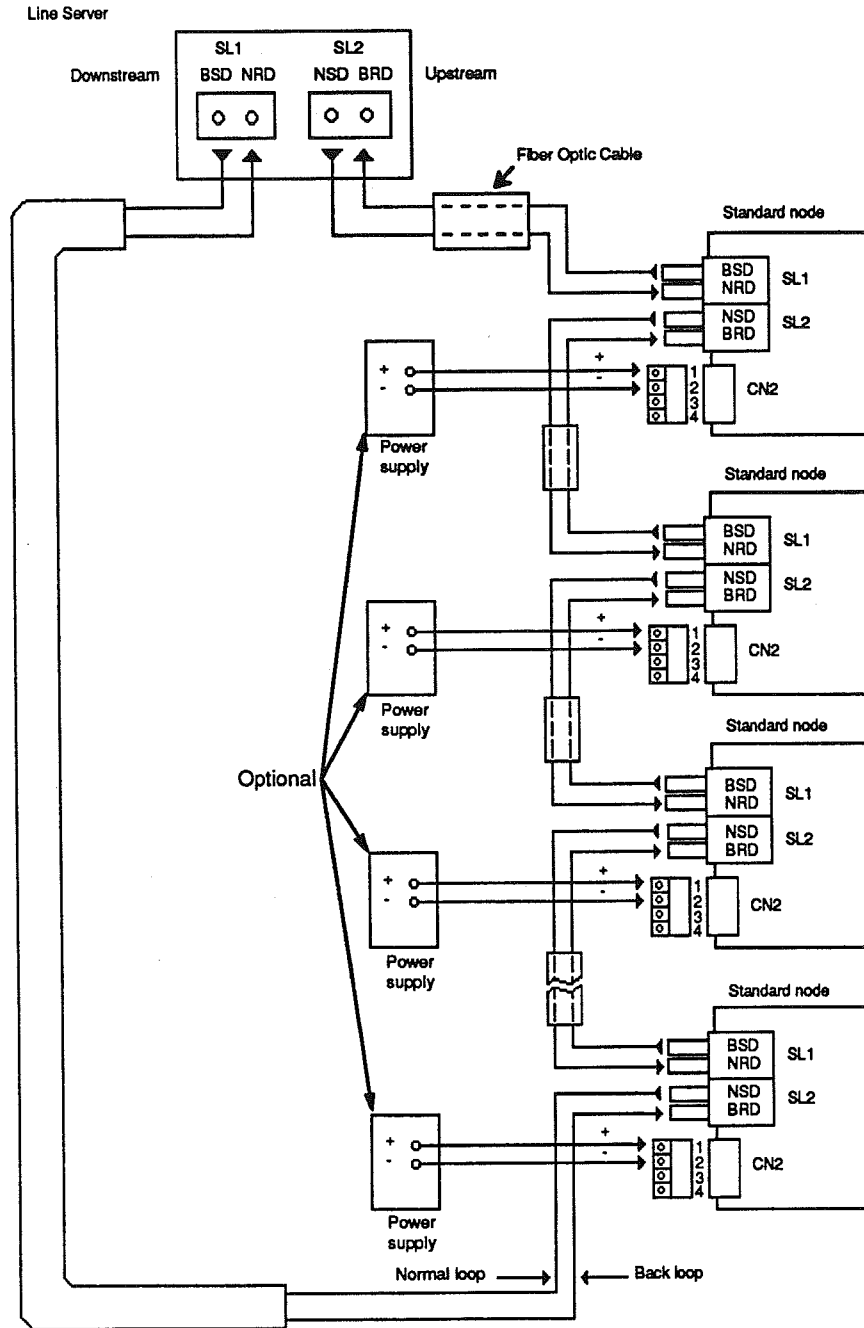
The interrupt vector is set with switches SP4 and RSW3. The switches must be set to the same value in a range from 3 through 10. IRQ10 (A) is the standard setting. Use this setting unless it conflicts with other boards in the computer.

The hexadecimal I/O address is set with switches RS4 and RS5. Valid addresses are 0300 through 030F.

Switches SP1, SP2, and SP3 are used to set the receive buffer.

Connectors CN1 and CN3 are used to connect the board to the Local Power Supply. The last Unit should be connected to CN1 and CN2. If power is not available from this source, power will be delivered to the board via the computer's internal power supply.

After all settings are complete, insert the board into a slot of the computer. Attach the Optical-fiber Cables to the SL1 and SL2 ports. The following diagram shows how four computers with NSBs are attached to the SYSMAC NET.



Each network loop should have at least one computer with an NSB installed so that network diagnostics can be used. The next section introduces the software used with the NSB.

### 2-3-2 Network Support Board Software

Software included with the Network Support Board provides datagram and diagnostic functions.

Install the BIOS software onto the computer's system disk as directed in the *Network Support Board Operation Manual*. Use a line editor to modify the CONFIG.SYS file. Reboot the computer and verify that the message "S3200 Diagnostic Service Loaded" appears on the first screen.

Once the software is installed, eight utilities are available as well as the datagram service accessed from BASIC.

**Utilities**

The following utilities are included with the NSB software.

**VER32:** Displays the version number of the S3200 BIOS for DOS. Execute by entering VER32 followed by the ENTER key.

**STAT32:** Displays the node's address, loop status, and power supply status. Execute by entering STAT32 followed by the ENTER key.

**CUT32:** Cuts user packets (80H-FFH). Execute by entering CUT32 followed by the ENTER key. (Similar to the close function in BASIC).

**DIAGMT32:** Executes node diagnostics to confirm that all nodes in the network are operating properly. The file must be registered on all nodes of the network loop. The utility checks their loopback operation, and power supply status. It can also request a memory dump from nodes.

**LTEST:** Checks the topology of the network by transmitting 2K bytes of data which is then returned and checked against the original transmission. An error history can be viewed by printing a log of the errors. Execute by entering LTEST/E followed by the ENTER key.

**RTSET, RTREAD:** Used to establish routing tables for nodes in the SYSMAC Net. Routing tables are used to transfer information between network loops. Execute by entering RTSET/E or RTREAD/E followed by the ENTER key.

**CONF32:** Used to set the node's configuration on the SYSMAC Net. Execute by entering CONF32/E followed by ENTER.

**Note** LTEST, RTSET, RTREAD and CONF32 require a "/E" after the file name to execute the programs with English text screens.

**Device Drivers**

The BIOS, Basic Input/Output System, is the file handling routine for routing information for the data packets. Its format is `DEVICE=CP_3200.COM, IOaddr, NETaddr`. *IOaddr* stands for the I/O port address and is set using the rotary DIP switches 4 and 5 on the NSB. It is in hexadecimal, e.g. 300H. *NETaddr* stands for the node's network. When setting up this driver, one example for the NSB is `DEVICE=CP_3200.COM, 300H, NET01H`.

The DGIOX file is used for datagram service. Its format in the CONFIG.SYS file is as follows: `DEVICE=DGIOX.COM bufsiz, bufct, msg`. Here *bufsiz* stands for buffer size. It should be set to R2000 for SYSMAC NET's 2K-byte buffers. The second argument, *bufct*, specifies the number of buffers. This is normally set to 15. The third argument, *msg*, specifies the language being used. Set this to M1 for English. A typical format for the DGIOX file is `DEVICE=DGIOXCOM R2000, 15, M1`.

The DIAG file provides diagnostic functions. Its format in the CONFIG.SYS file is `DEVICE=DIAG32.COM`.

The NAME file is used for assigning names to the network nodes. Its format in the CONFIG.SYS file is `DEVICE=NAME32.COM`.

It is possible to view and change the device drivers in the CONFIG.SYS file using a line editor such as EDLIN.

**Note** No path has been given in the above examples. Please include the path when writing the CONFIG.SYS File.

**Datagram Service**

SYSMAC NET's datagram service is accessed from BASIC using the DGSUB.EXE file. Either a BASIC interpreter or compiler may be used. Load the routines by entering this statement `DF SEG=xx: BLOAD "DGSUB.BIN", 0:DEF SEG`. The xx determines the starting address where the routines will be loaded. It is determined when the DGSUB.BIN file is created from DGSUB.EXE.

The routines are then called as follows: SUB=(function #) \*3 : DEF  
SEG=32xx CALL SUB (arguments): DEF SEG

Arguments:

00 DINIT, used to initialize datagram service and clear send buffers. Execute this subroutine once at the beginning of the program. (Similar to OPEN in BASIC).

01 DSTAT, used to perform a status read on a node of the network.

02 DREC, used to request data from another node into this node's receive buffer. This subroutine waits until the ESC key is pressed or data is received.

03 DREC, used to request data within a specified time period into this node's receive buffer.

04 DSEND, used to transmit data to a specified node. Broadcast to all nodes may also be done with this command.

05 DCUT, used to close the datagram service. This subroutine should be called at the end of the program. (Similar to CLOSE in BASIC).

For the format of these arguments, consult the *Network Support Board Operation Manual*. Remember to save the function number, e.g., 05 \* 3 = 15, (not the name) before running. Examine the programming present in the DG test to see an example. (From BASIC load DGTEST and enter LIST.)

If CONF32 is used to enter this routine, the settings must be saved before resetting. After either a remote or local reset, the changes made before the reset become valid.

The DGIOX datagram service software file installed in the CONFIG.SYS file is used by the NSB to transfer data between the SYSMAC NET BIOS and the application resident on the computer. If a problem occurs during datagram transmission, the error will be reported. A retry will not be attempted unless it has been programmed.

When a message arrives at the NSB node, the BIOS checks the message's header. If the message is to be delivered to this node, then the BIOS delivers it to the appropriate part of the resident software. If this software is not present, then the message is ignored. If the computer is busy, then the message is brought into the hardware buffer and the computer's interrupt flag is turned ON. When the interrupt is activated, the message is brought into the software buffer.

Because AT-compatible computers are not multi-tasking, if the computer is running a word processing or other application, then the message is directed to the resident software without being processed. If a low level language such as C is used, this can be altered.

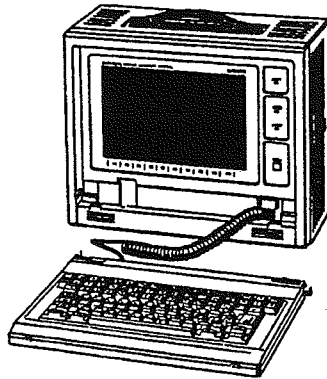
A virtual circuit may be established by sending datagrams between NSB-equipped computers. Likewise, data links may be established between SYSMAC NET Link Units. A computer may not participate in a data link, but its node may be positioned between two SYSMAC NET Link Units which have a data link established.

#### Node Diagnostic Software

The Network Support Board software includes a utility for node diagnostics. This is effective software for troubleshooting the SYSMAC NET local area network. For more information on this refer to *Section 4 Troubleshooting*, or the *NSB Operation Manual*.

## 2-4 FIT Support

The Factory Intelligent Terminal, or FIT, is a sophisticated programming computer. With the addition of the Network Support Board for FIT, this FIT can be added to the SYSMAC Net.



Also available is the SYSMAC NET Link Adapter which allows the FIT, or other SYSMAC NET devices, to be connected and disconnected from the network without disrupting the operation of other nodes.

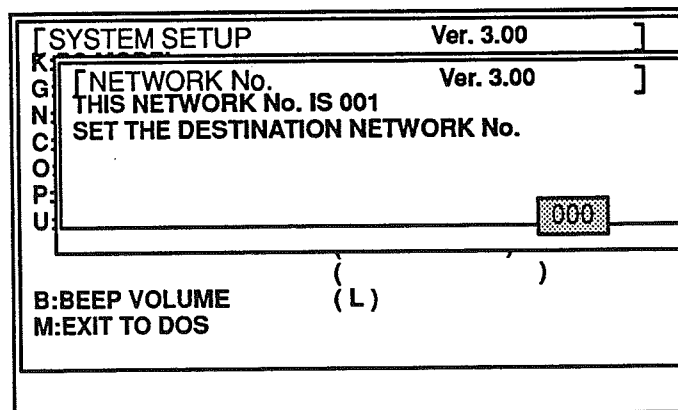
The NSB for the FIT contains a SYSMAC NET-compatible Ladder Support Software package. For more information on operating the FIT on the SYSMAC NET local area network, refer to the *FIT Operation Manual*.

Before installing the board, use the DIP switches to set the I/O, network, and node addresses. The valid range for the I/O address is identical to the range for the NSB or AT-compatible computers. The network number is set to address 1 when shipped from the factory. Set a unique node address between 1 and 126.

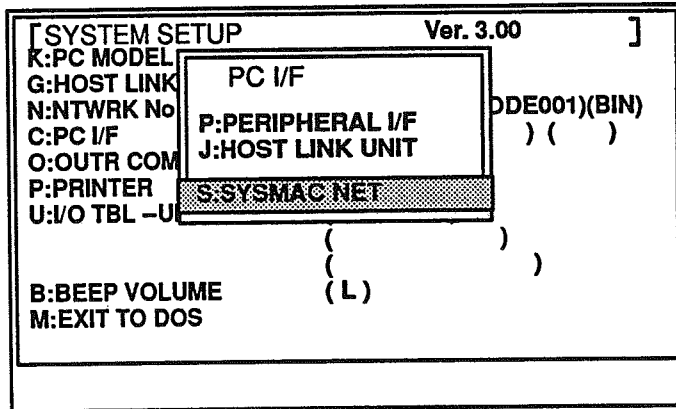
After setting the DIP switches, turn OFF the power to the FIT and install the board as directed in the *FIT Operation Manual*. Connect the Local Power Supply, if desired, and connect the Optical-fiber Cables to the board's SL1 and SL2 connectors.

Apply power to the FIT and re-install the system software included with the board. Prompts will appear allowing the software to be set to the same addresses chosen on the hardware via the DIP switches.

SYSMAC NET can be chosen to communicate with a networked PC using the FIT's System Setup menu.

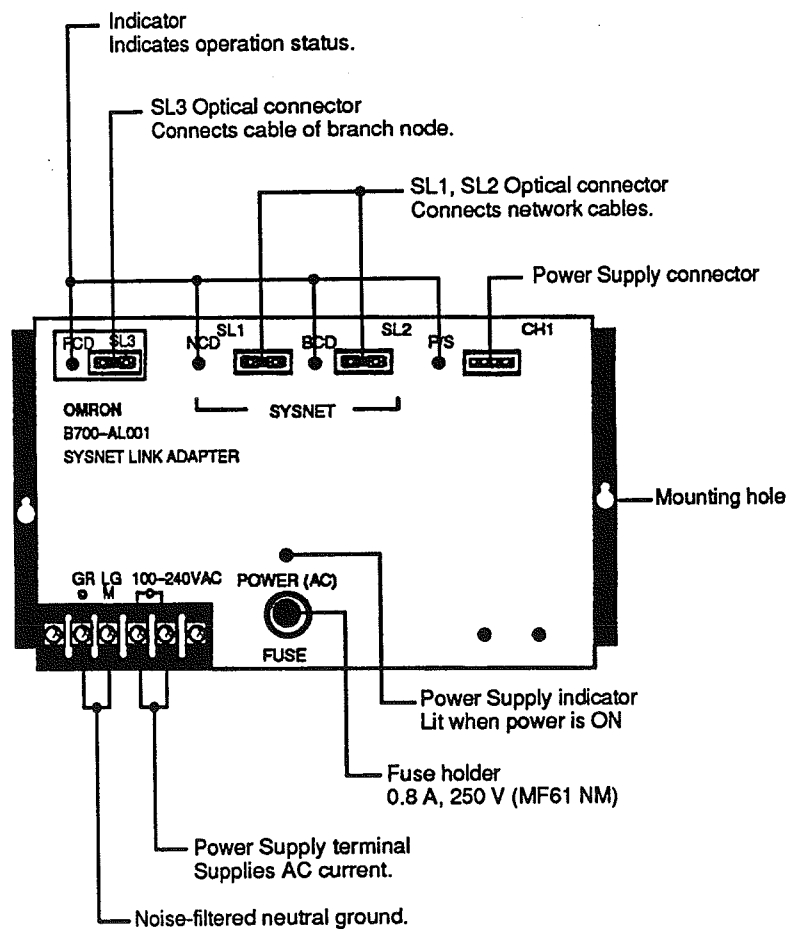


Likewise, routing tables can be established to allow the FIT to communicate with Bridges and nodes on other network loops.



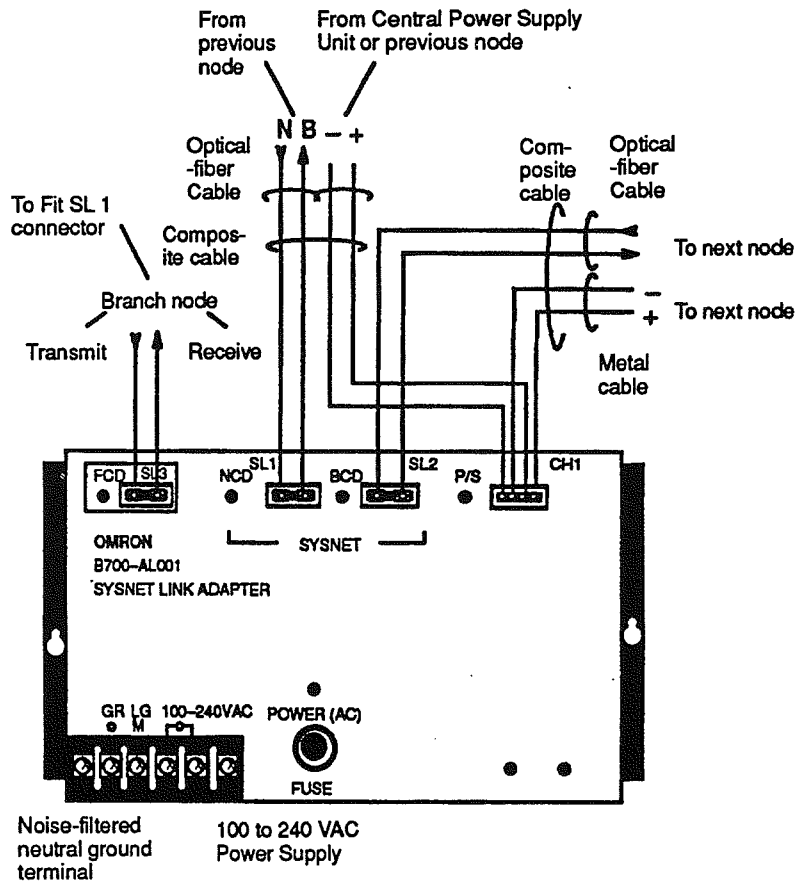
## 2-5 SYSMAC NET Link Adapters

For system configurations where it is anticipated that the FIT will often be removed from the network loop, the SYSMAC NET Link Adapter is an important option. This Unit allows the FIT to be removed from the network without disrupting operation of other network nodes.



The SYSMAC NET Link Adapters are not required for the FIT to be added to the SYSMAC Net.

The SYSMAC NET Link Adapter is connected to the network as described in the next diagram.



Two SYSMAC NET Link Adapters should not be connected to each other; there should be a maximum of eight within a single network loop.

For more information regarding SYSMAC NET Link Adapters, refer to the *FIT Operation Manual*.

## 2-6 Network Service Units

The Network Service Unit converts SYSMAC NET optical-fiber transmissions to either RS-232C or RS-422 serial communications. The Unit also converts transmission going the other direction: from serial communications to SYSMAC NET optical-fiber signals. This Unit allows any intelligent devices, such as computers, robots, CNC machines, work stations, bar code systems, etc., to access the SYSMAC NET via their serial communications ports. The Network Service Unit is available with two RS-232C ports or one RS-232C and one RS-422 port. Both offer selectable synchronous/asynchronous operation. Transmission speed is selectable up to 9600 baud.

The two serial ports on the rear of the Unit have pin assignments as described in the following table. This information can be used to build a cable between the Network Service Unit and a serial device such as a modem.

Pin No.	Signal Abbr.	Signal Name	Signal Direction	Notes
7	SG	Common Return Line	Bilateral	(Pin 1 is FG)
2	SD	Send Data	To NSU	—
3	RD	Receive Data	To DTE	—
4	RS	Request to Send	To NSU	—
5	CS	Ready to Send	To DTE	Software-dependent
6	DR	Dataset Ready	To DTE	Generally set to high voltage by hardware
20	ER	Equipment Ready	To NSU	Not processed internally (open)
8	CD	Carrier Detect	To DTE	Software-dependent
15	ST2	Send Timing 2	To DTE	When communications control device directly attached, ST2 and RT are provided by the NSU
17	RT	Receive Timing	To DTE	
24	ST1	Send Timing 1	Modem RT To NSU	Used when modem connected
9	V1	12 V	To DTE Switch RT	Set internally (about 50 mA)
10	V2	-12 V	To DTE	Set internally (about 50 mA)
18	V3	5 V	To DTE	Set internally (about 300 mA)
25	(RT1)	Receive Timing	Modem ST2 To NSU	Used when modem connected

The Network Service Unit communicates at a baud rate set with DIP-switch pins 1 and 2. The rate is selectable among 1200, 2400, 4800, and 9600 baud. Two serial devices communicating between two different Network Service Units do not need to be set to the same baud rate.

The serial device connected to port 1 of the Network Service Unit has access to the Unit's DMA controller. Thus it is possible to communicate at speeds above 9600 baud with proper programming. The serial device connected to port 2 does not have direct memory access and its maximum speed is 9600 baud.

With a computer connected to the Network Service Unit, the Unit functions like a modem. If a modem is connected, the Network Service Unit functions like an IBM PC-AT-compatible terminal.

The Network Service Unit uses a Motorola 68000 chip, but does no processing. Its purpose is solely to convert serial electrical signals to optical signals.

A computer equipped with a Network Support Board can communicate with a serial device connected to the Network Service Unit. Communications from the computer to the Network Service Unit can cross network Bridges.

The Unit's SYSMAC NET side has 1 send buffer and 15 receive buffers, and messages are processed one at a time. On the serial port side, messages are transferred in 8-byte units.

DMA (direct memory access) moves these messages through the Unit as fast as possible. Serial communications are generally the slowest part of SYSMAC NET transfers. It is best to send a few messages, wait for a response, and repeat this process until finished transmitting.

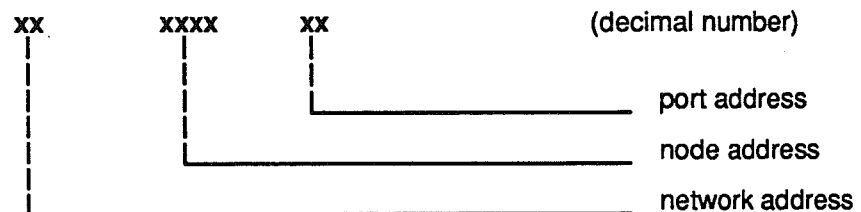


The Unit is set at the factory to network 00. Settings must be initially set from within the local network, but can then be changed from a computer located on another network loop. Of course, remote resets interrupt the Unit's operation, so check with someone at the Unit's site to be sure the Unit is not busy. Settings for the NSU are stored in SRAM, so they are saved even after power has been turned OFF.

The Unit's two ports are addressed as logical port 1 and 2, i.e., LP1 and LP2. The Network Service Unit accepts the commands listed in the following table. These commands are sent from a computer on the network loop.

Command	Function
MAIL	Transmits data
SHOW	Views this node's parameters
SET	Sets this node's parameters
QUIT	Enters the idle mode
?	Access help
EXAMINE	Queries any name's address
DIAGNOSTIC	Diagnoses nodes attached to the loop

The SET command listed above is used to set the names and addresses assigned to the Unit's serial ports. A name is composed of up to 8 characters beginning with a letter, e.g., TTY100. The address is also 8 characters, and it lists the port address, node number, and network address. Generally, the network address should be set to the same address the Network Service Unit is using. The address is of the following format:



The SET command also determines other communications parameters such as parity. Refer to the *Network Service Unit Operation Manual* for details.

The MAIL command sends data to a specified destination. There is no confirmation of the transmission. Up to 2,000 bytes of data can be sent with the destination's network, node, and port address.

The SHOW command displays the Network Service Unit's current communications parameters.

The HELP command displays the format required for all the Unit's commands.

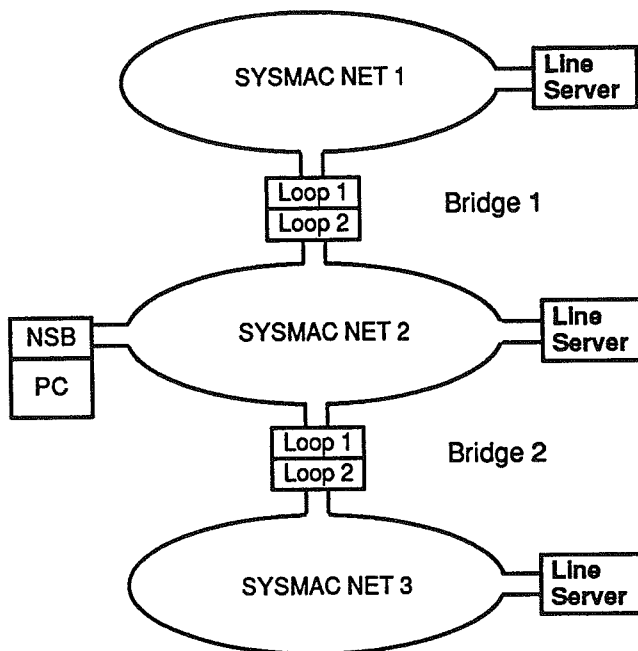
The DIAG (diagnostic) command is used to send a specified diagnostic request to a selected node. The diagnostic request could be a status read, memory dump, echo back, or memory write. A LOOP ERROR message is displayed if a problem is encountered. For more information, refer to the *Network Service Unit Operation Manual*.

## 2-7 Bridges

The Bridge is used to interconnect two individual SYSMAC NET loops. Each network loop can support up to 20 Bridges, and each Bridge counts as one network node.

The Bridge's back panel has ports for connecting both loops.

When the Bridge is set up in the network, it will allow nodes on separate network loops to communicate. The Bridge accomplishes this by becoming two network nodes, one for each of the loops being connected.



A computer equipped with a Network Support Board is required to set the network address and routing tables. A computer node is required for each bridge so that the NSB's configuration software can be used. In the system shown above, one computer can set the required information for both bridges serving the three network loops. This is true because the loop 2 side of Bridge 1 and the loop 1 side of Bridge 2 are both on network 2.

Computers are also required to set the network addresses and routing tables. Only nodes that will be communicating outside their network loop require routing tables. All nodes require the same network address to be set for the local network loop. Different bridged network loops require unique addresses.

The Bridge is given a node and network number for both loops that it is connecting. When setting up the routing table for network nodes to communicate across a Bridge, make the table with the following information.

Local Network	Destination Network	First Hop Address
Network 1	Network 2 Network 3	Bridge 1 (loop 1) node number Bridge 1 (loop 1) node number
Network 2	Network 1 Network 3	Bridge 1 (loop 2) node number Bridge 2 (loop 1) node number
Network 3	Network 1 Network 2	Bridge 2 (loop 2) node number Bridge 2 (loop 2) node number

The node numbers for each of the Bridges' network loops are set with the rotary DIP switches on the back panel and with programming sent from an NSB-equipped computer. The hardware and software settings must agree. The Bridge must have the software command sent only once, since it stores this information in static RAM (SRAM.)

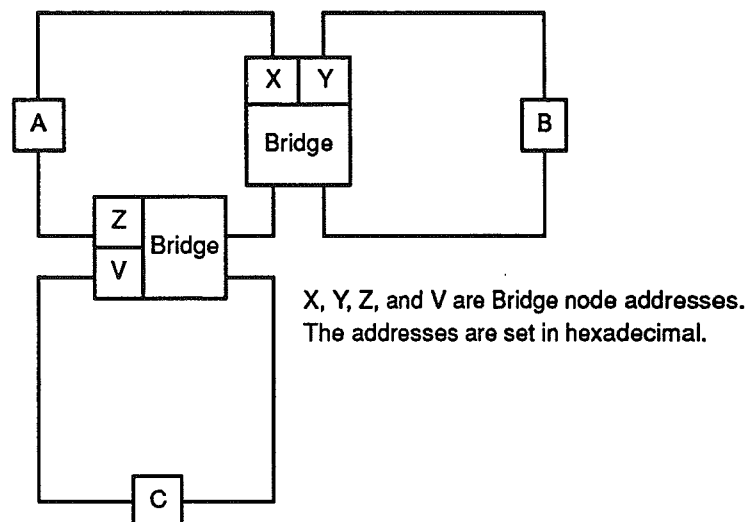
The Monitor indicators on the Unit's front panel indicate operational status. If any of the first 5 indicators are lit, an error has occurred. Indicator's 6 and 7

indicate the type of error. Refer to the *Local Bridge Operation Manual* for identification. Indicator 8 is lit when the Bridge is running. If an error has been detected and the error indicators are lit, they will remain lit until the error has been fixed and the Bridge's reset has been pressed.

The Bridge's initialization switch, located on the DIP switch, is used to reset the SRAM information back to its default settings. Use this switch to clear SRAM information and re-enter new settings.

The Bridge's Trace switch, also located on the DIP switch, slows Bridge performance and should usually be kept disabled. When the Trace is operating, it watches and records transmissions passing through the Bridge. It uses hexadecimal notation to show origins, destinations, and an overflow counter. Refer to the Bridge's Operation Manual for the format of the Trace information.

Refer to the following diagram for an example of how a node communicates with another node located on a separate network loop.



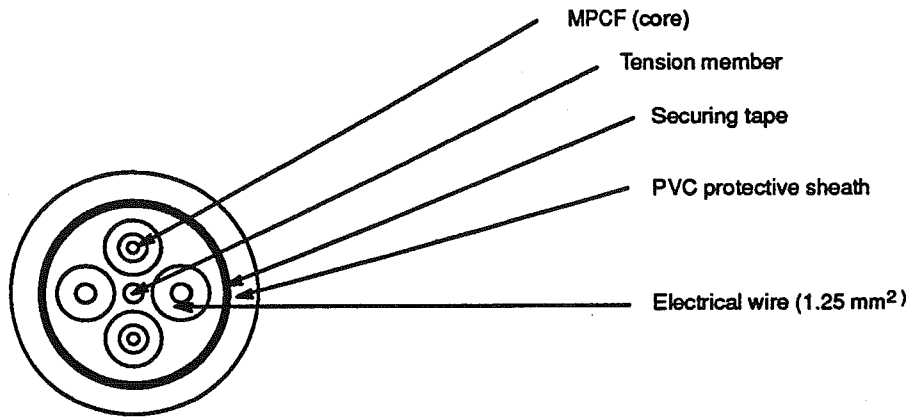
If node A of network 1 wants to communicate with node B of network 2, three processes occur in the exchange. First, node A sends information to X, the Bridge's node address on network 1. Then node X transfers the information to node Y, the same Bridge but a different network. Finally, node Y transfers the information to node B. The response is then directed back to the sending PC along the same path.

SYSMAC NET requires that routing tables be established and stored in the BIOS. Other manufactures do not require routing tables. They have the sending node do a broadcast to determine routing to the message's destination. By keeping the routing table in the BIOS, transfers are faster and more dependable.

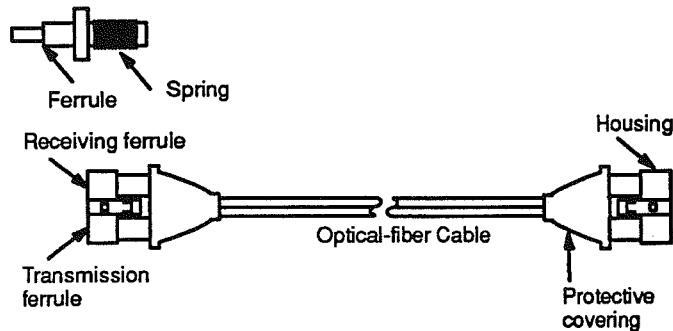
## 2-8 Optical-fiber Cable

The SYSMAC NET uses Optical-fiber Cable for data transmission between the nodes of the network. These cables were chosen instead of traditional electrical cables because of their immunity to electrical interference and because they electrically isolate each of the nodes they connect.

The cables are constructed of acrylic-clad, glass-core fibers. Each cable contains a tension member to provide longitudinal support. Connectors for these cables are assembled on location.



Assembly of connectors requires the tool kit which is included in the cable set. The set also contains the parts used in assembling the connector: ferrule, collar, spring, housing, and boot. A good connection on both ends of the cable is essential for proper operation, so carefully follow the directions given in the manual included with the cables. After completing assembly, use a power meter to test the cable.



Cable is generally delivered on a spool with 1 km of material. Lengths of 1.5 or 2 km are possible if ordered from OMRON. It is possible to order shorter cables in one-meter increments.

**Power Meter**

A power meter is used to test the assembly of the connector. A 10-dB loss between nodes is acceptable. Good connector assembly can make it possible to stay within this range at distances of up to 1 km. Both the normal and back-loop conductors of the cable should be tested.

**Assembly and Installation of Optical-fiber Cable**

The two optical-fiber conductors in the cable are used to carry normal and back-loop signals. One conductor is marked with white dots. When assembling connectors for the cable, keep this conductor carrying either the normal or back-loop signal.

Once the connectors are assembled onto the cables, they can be attached between the network nodes. Connect SL1 from one node to SL2 of the next node downstream. Doing this will connect the normal send data (NSD) to the normal receive data (NRD). The second conductor of the cable will connect back-loop send data (BSD) to back-loop receive data (BRD).

Nodes should be added sequentially in a direction away from the Line Server. Verify that the connection to the last node is satisfactory before adding the next node. By adding the nodes sequentially from the Line Server, troubleshooting the construction is greatly aided. Refer to the manual included with the cables to verify indicator status.



## SECTION 3

### Network Communications

3-1	Network Communications Software .....	28
3-2	Communications Format Differences .....	31
3-3	Data Flow .....	34
3-4	Routing Tables .....	34
3-5	Datagram Transmission Times .....	36
3-6	Data Link Transmission Times .....	37
3-7	Application Examples .....	38
3-7-1	Data Transfer from PC to Computer .....	38
3-7-2	I/F Routine for Datagram Service .....	41

### 3-1 Network Communications Software

SYSMAC NET's network architecture conforms to the OSI (Open Systems Interconnect) reference model of ISO (International Standards Organization). SYSMAC NET devices provide "hooks" into the layers of this model.

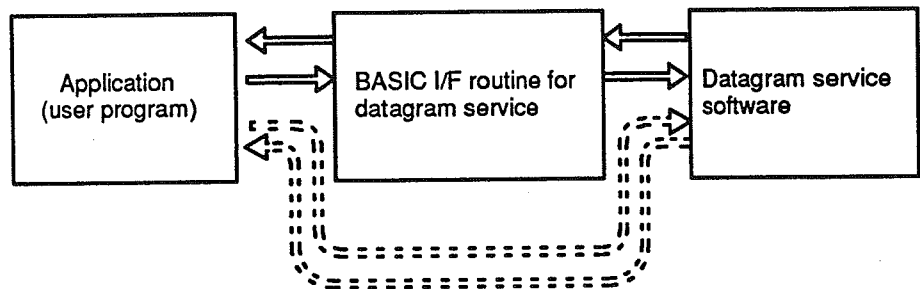
Three files of the Network Support Board software enable data to be passed through the OSI model. This section will describe the functions of each of these files so that the user can better understand how a data packet is received and processed by a SYSMAC NET node. For more information refer to the *Network Support Board Operation Manual*.

**NETBIOS: CP3200**

The data link layer, layer 2, of the OSI model uses the BIOS to interface between the physical layer and the upper layers. A custom device driver can be written in assembly language to work with the CP3200 BIOS. The different packet types handled by the BIOS include datagrams, data links, and diagnostics.

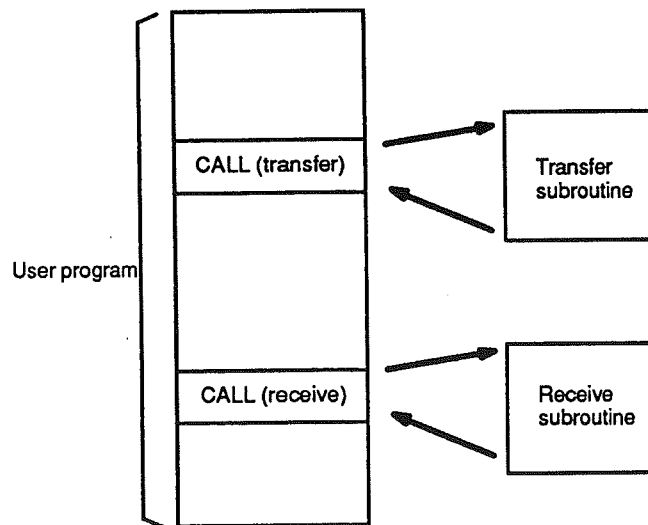
**DGIOX and DGSUB**

The DGIOX.COM file provides datagram service. These files are generally used through a BASIC interface, but other languages may also be used. They use binary format for interpreted BASIC calls.



Calls access statements like send, receive, and status read. Calls include the command, an address, and data. When addressing a single node, the network, node, and port number are specified. A broadcast has a code to address all nodes/ports on the network.

The DGSUB.EXE file may use the BASIC CALL command to create a machine language subroutine for accessing the BIOS directly.



The call uses one of six types of subroutines numbered 0 through 5. Sequentially, these are DINIT, DSTAT, DREC, DRECT, DSEND, DCUT.



The data portion of a call is separate from the address. Data includes messages, data files, or any other variables to be transmitted. The data is in a packet of 2,000 bytes or smaller. It is in ASCII or binary format.

Examples of information in the data portion of a packet include read/write memory locations, changes to operation mode of a PC, uploading/downloading of PC programs, forced set/reset/clear of a timer or counter, read/write of I/O tables, FM transfers, alarm/error monitoring, and device name set/read.

The following is an example program using calls.

```

100 CLEAR & H200
110 DEF SEG=&XXXX*
120 BLOAD "DGSUB.BIN",0
130 DEF SEG
:
:
500 DSEND=4*3
510 CALL DSEND (NA%, DA%, PA%, D$, RST%)
520 DEF SEG
:
:
600 DRECT=3*3
610 CALL DRECT (NA%, DA%, PA%, D$, RST%, RC%, TIM%)
620 DEF SEG

```

CALL DSEND arguments:

- (input) NA%: destination network address
- (input) DA%: destination node address
- (input) PA%: destination board address
- (input) D\$: command
- (input) RST%: return status

CALL DRECT arguments:

- (output) NA%: transfer source network address
- (output) DA%: transfer source node address
- (output) PA%: transfer source port address
- (input) D\$: receive buffer
- (output) CT%: number of receive data
- (output) RST%: returns status
- (output) RC%: number of remaining data
- (input) TIM%: timer value setting reception wait time

Calls also may include control or error flags. A timeout signal would be returned in the data portion of a packet in these instances.

## CONF32

This software is used to set the configuration of a Bridge or a Network Service Unit. The CONF32 software is packaged with the Network Service Unit and must be run from an IBM PC-AT-compatible computer.

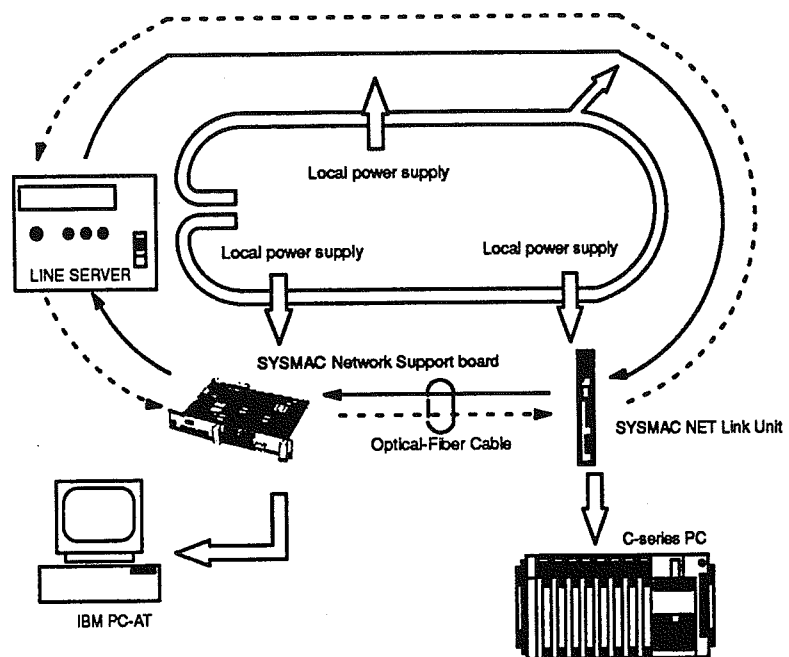
CONF32 sets the routing tables for Bridges and Network Service Units remotely because these Units do not use DIP switches for this purpose. When shipped from the factory, the Units have the network number set to 00. A computer must be used to run the CONF32 software and change these default parameters if they will be assigned to a network or node number different from the default. The Network Service Unit must be set initially from within its own loop, but once it has been set it can be changed from another loop. Until a routing table is sent to these Units from a computer, they will only be able to access other nodes on their own network loop.

The Bridge's LAN 1 and 2 sides can be set from either side.

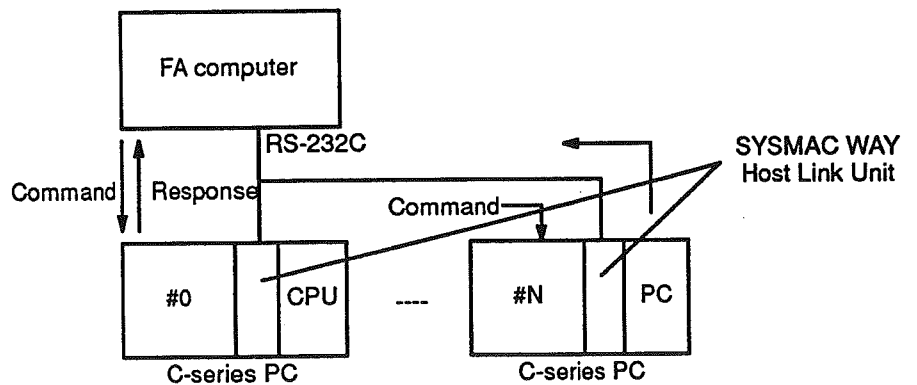
Settings for NSU and Bridge are backed up in RAM. Information is thus saved after power is shut OFF.

**Communication Alternatives** A network has several alternative methods of communication that may be used between devices. A PC may be connected to a network where it receives datagrams, but also connected to other PCs in a data link. Other communication alternatives are listed below.

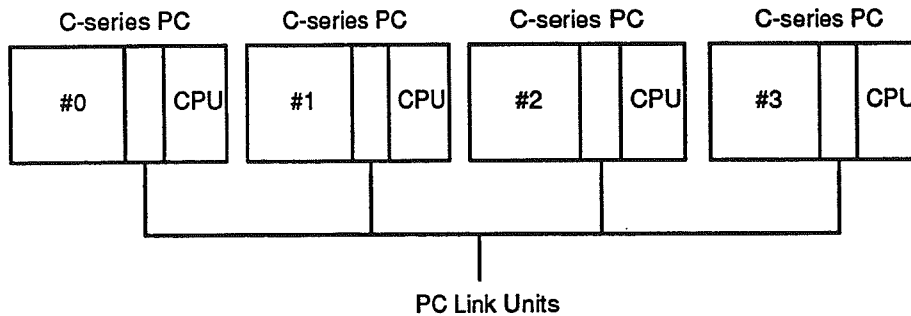
For all devices on the optical-fiber network loop, datagram communications can be used. Messages are passed along a token ring architecture.



For communications involving computers and PCs, a Host Link Unit can be used. Host Link Units can connect up to 32 nodes and transfer up to 128 bytes of data at one time. A Host Link Unit uses RS-232C or RS-422 serial communications.



For communications strictly between PCs, PC Link can be used. Up to 32 PCs may be connected on a single level. PC Link System uses a serial cable between the devices.



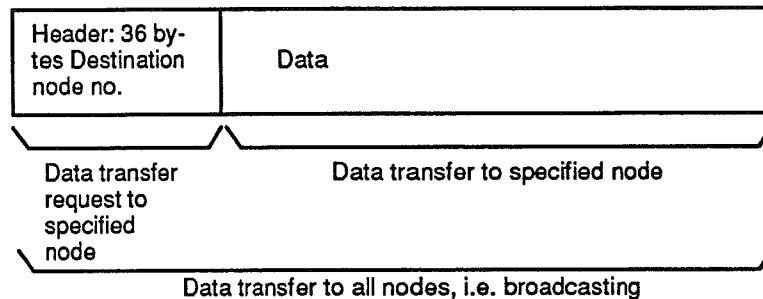
For communications between a Remote I/O Unit and a PC, a Remote I/O System can be used. Remote I/O Systems use RS-485 serial or optical-fiber communications.

### 3-2 Communications Format Differences

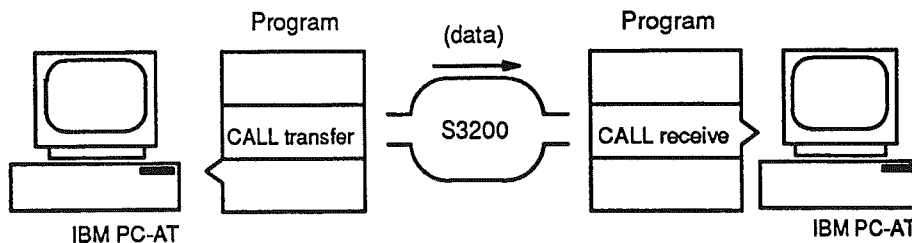
Communications are possible between any network nodes in a functioning network. The particular format of the packet is slightly different depending on which devices are communicating.

#### Network Exchanges between Computers

Two computers use datagram packets of the following format:



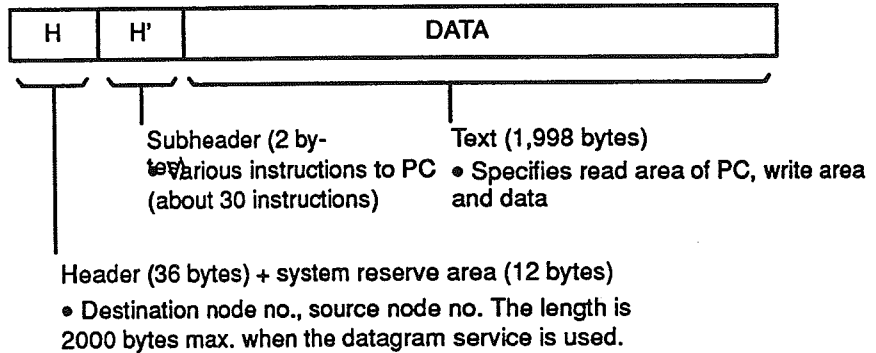
The computer node which receives this packet is not required to issue a response. The CALL command from BASIC is used.



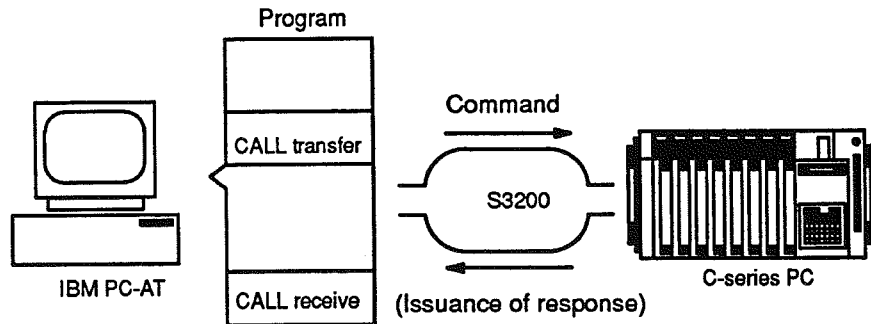
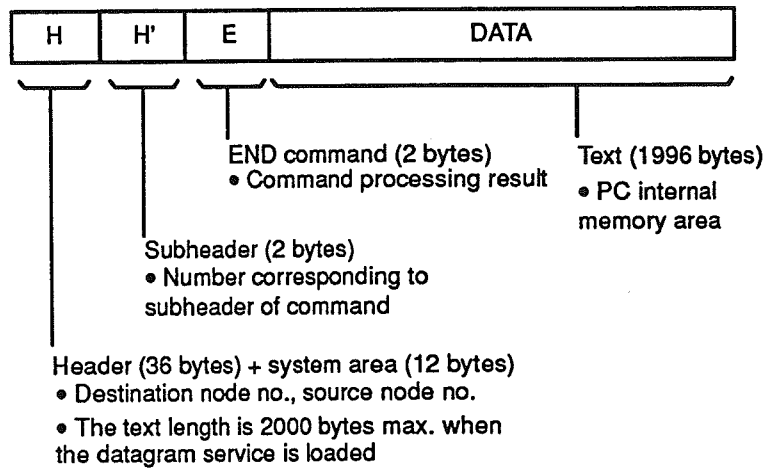
#### Network Exchanges from Computers to PCs

Computers can communicate with any PC on the network that is equipped with a SYSMAC NET Link Unit. When a computer sends a command to the SYSMAC NET Link Unit, the SYSMAC NET Link Unit will automatically issue a response. The computer can ignore this response. If the SYSMAC NET Link Unit is sending data to the computer, then the computer must be programmed to issue a response.

The command is 2K bytes long and of the following format:



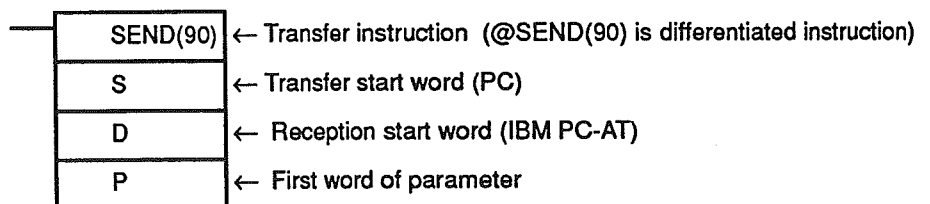
The response is also 2K bytes long and of the following format:



**Network Exchanges from PCs to Computers**

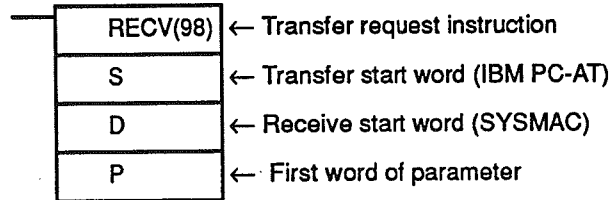
The PC can request data from a computer or Network Service Unit. The format of the data packet is the same as data packets going in the opposite direction.

To transfer data from a PC to a computer or NSU, write a SEND(90) or @SEND(90) in the PC's program. The instruction has the following components.



The computer which receives this instruction must then issue a response to the SYSMAC NET Link Unit.

When a PC is requesting information from a computer, a RECV(98) or @RECV(98) instruction must be written in the PC's program. The instruction has the following components.



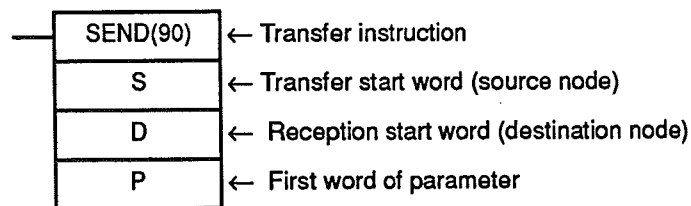
PC communications with a Network Support Board differs slightly from communications with a Network Service Unit. The P section of the SEND(90) and RECV(98) should have the following information written before specifying the word.

Wd	Digit 4	Digit 3	Digit 2	Digit 1
P	Number of send/receive words			
P + 1	Node type NSB: 00 NSU: 01	---	Network No: 0 to 7F	
P + 2	Port No. NSB: 00 NSU: 01 or 02	---	Send or receive source Node No: 01 to 7E	

**Network Exchanges from PC to PC**

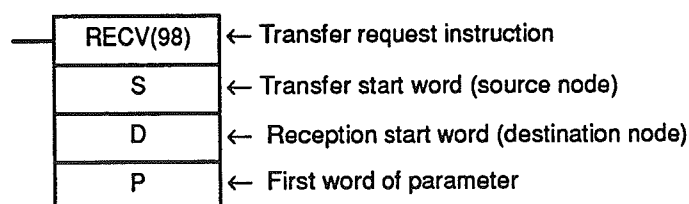
Two PCs equipped with SYSMAC NET Link Units may exchange data over the network using datagrams. The format of the 2K-byte data packet consists of the header, subheader, and data as described above. Responses have the same 2K-byte addition.

To transfer data from a PC, use SEND(90) or @SEND(90) in the program of the source node PC.

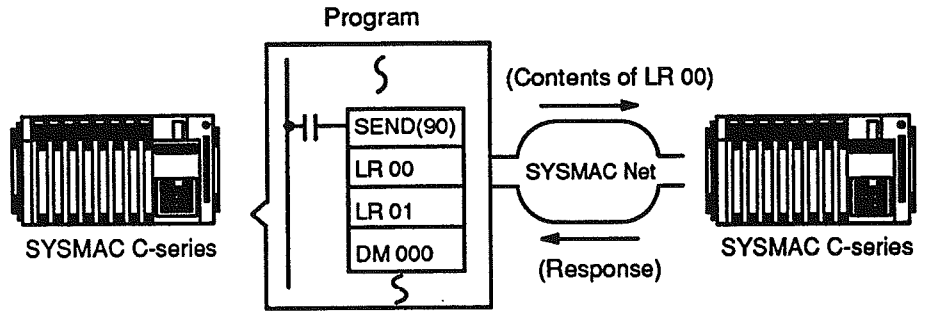


PCs require a response to be returned, and this response will be generated from the destination PC automatically.

To request data to be transferred from another PC, use RECV(98) or @RECV(98) in the programming of the destination PC. No programming is necessary at the source PC node.

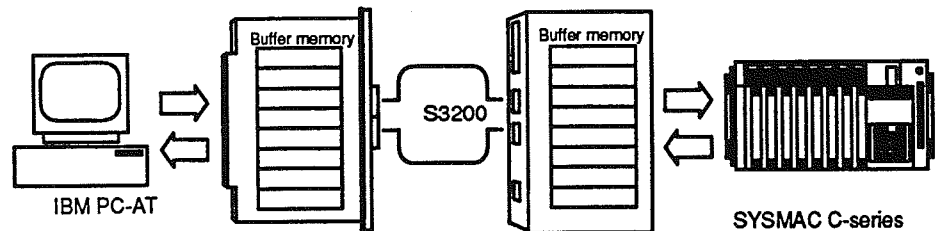


Schematically, the procedure works as follows:



### 3-3 Data Flow

Data moves through buffers to reach its destination. The following example illustrates how DM data is transferred from a computer to PC.



To begin the transfer, the DM data is transferred by the program of the computer to the 2K-byte send buffer of the Network Support Board. When a free token is detected, the DM data is sent to the network.

The data packet is received by the destination node in an empty receive buffer. The SYSMAC NET Link Units have fifteen 2K-byte receive buffers and data is processed on a first in-first out basis. Data is transferred to the CPU during the link service time of the scan.

**Note** Link service is a part of peripheral service within the scan.

The PC will next generate a response to be transferred back to the computer. The response moves from the send buffer when a free token on the network is detected.

The response is received by the computer in one of the 15 empty receive buffers. The process is complete.

### 3-4 Routing Tables

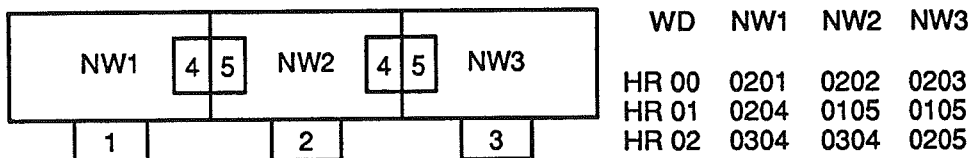
To communicate between multiple SYSMAC NET loops, Bridges and routing tables are required. A different routing table may be stored for each node and up to 20 networks. Each of these listings includes the network address and the path the data must take to reach that destination network.

The contents of the routing table are stored in the HR area in words HR 00 through HR 20. A maximum of 20 Bridges may be set up within one network loop.

The first word in the HR area, HR 00, determines how many routes are available from this node, and this node's network number. For example, HR 00 0201 means that there are two routes available from this node and this node is on network number one.

The second word in the HR area, HR 01, determines the node number of the Bridge and the target network number. For example, 0204 in HR 01 means that this node should use node number 4 (a Bridge) to access network number 2.

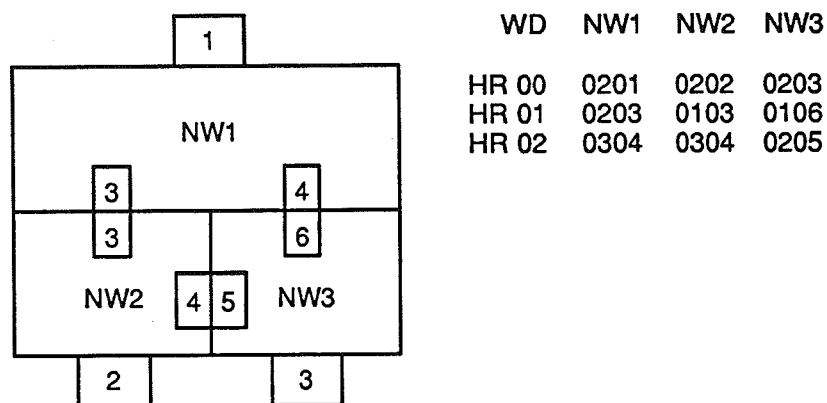
A system configuration joining three network loops would have the following routing table.



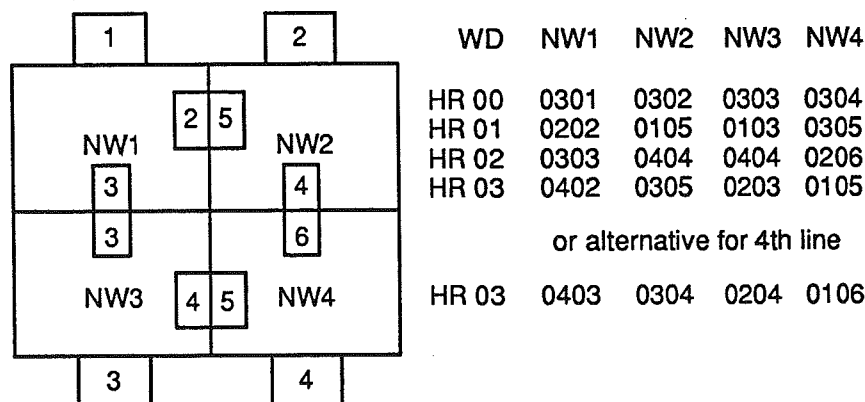
- 1st line for NW1: From network number 01, two routes are listed
- 2nd line for NW1: From network number 01 via bridge node 04 to network 02
- 3rd line for NW1: From network number 01 via bridge node 04 to network 03

If more than one route provides access to another network loop, select the one that is anticipated to have the least amount of network traffic. A node may not be set to have more than one route to another network loop.

The next figure shows three network loops and the routing tables required.



The next figure shows an example of an indirect connection between network 1 and network 4.



Data from node 1 of network 1 will be sent to node 4 of network 4 via node 2 of network 1 according to the routing table of NW1. Then via node 5 and node 4 of NW2 according to the routing table of NW2.

**Note** For information on programming the Bridge, contact your local OMRON representative.

### 3-5 Datagram Transmission Times

The SYSMAC NET transfers data at a rate of 2M bits/second. Data is transferred in 2K-byte packets, with an average of 50 ms required to transfer information between two PCs on a network with light traffic. When 2K bytes of data are transferred with datagrams, the delay time is calculated with the following factors.

Td: Delay time

Ts: DMA transmission time: 0.2 ms

Tg: Permission to transmit detection time

T: Data transmission/reception time: 2.2 ms

ns: Number of nodes

Tn: Time/node: 0.2 s per 4 bits of data

To: Delay for optical-fiber cable: 5.0 s

ls: Cable length

Tls: Delay at Line Server: 0.0 s (20 bits of data)

Tr: Reception DMA time: 0.2 ms

Formula

$$T_d = T_s + T_g + T + (n_s \times T_n) + (T_o \times l_s) + T_{l_s} + T_r$$

The maximum value for Tg is calculated as follows:

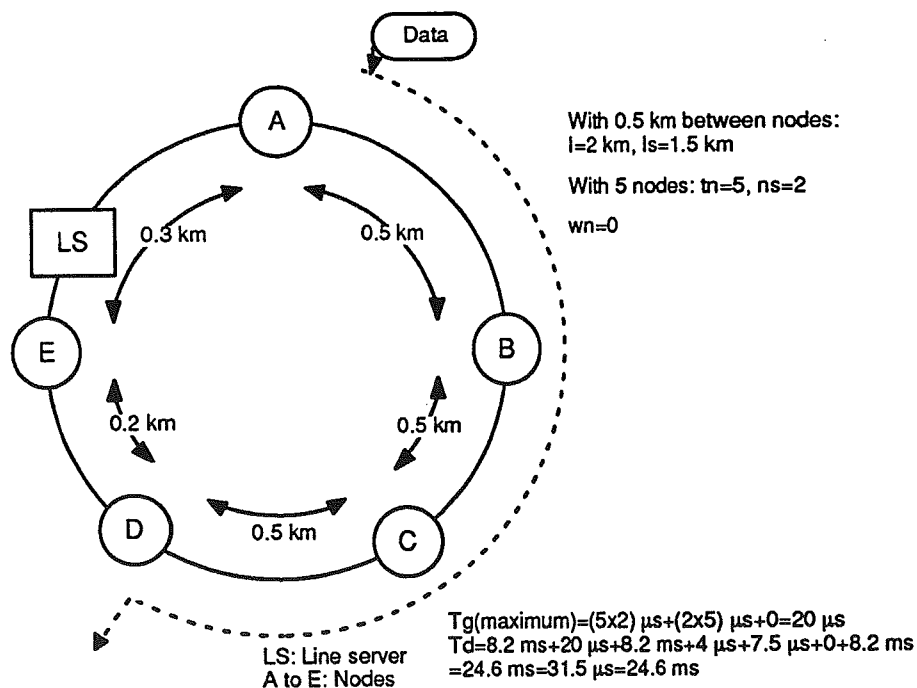
$$T_g(\text{maximum}) = T_o \times l + T_n \times t_n + T_{l_s} + T \times w_n$$

l: Total length of loop's cabling

tn: Total number of nodes

wn: Number of other nodes waiting to transmit

**Example**





Processing time required to transfer data between the NET Link Unit and another node involves making the header, scan time, and times listed in the above formula. The processing time required by the NET Link Unit is the largest portion of the delay time. Data is generally delivered to the NET Link Unit in ASCII format, and the conversion into binary requires 50 ms for 2K bytes of data. If data is input to the NET Link Unit in binary, processing is hastened.

### 3-6 Data Link Transmission Times

The amount of time required by the network to complete one cycle of data transmission depends on the data transmission delay time, the number of slave nodes, the amount of data, and the delay time of the network. The time can be calculated with the following formula:

$$1 \text{ cycle } (T) = T_i \times P + T_d$$

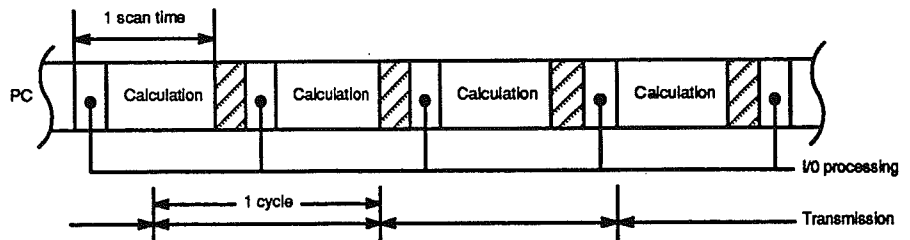
T<sub>i</sub>: Data transmission delay time (set by DIP switch SW3)

P: Number of slave nodes

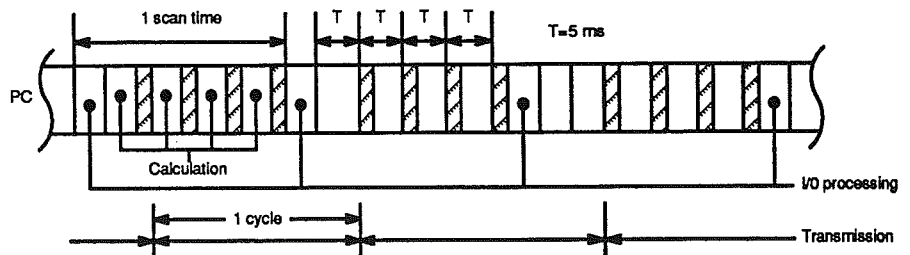
T<sub>d</sub>: Delay time of the network

The transmission of data links and the PC calculations are not performed at the same time. The timing is as shown in the following diagram.

#### C200H/C500/C2000H Duplex



#### C1000H/C2000H Simplex



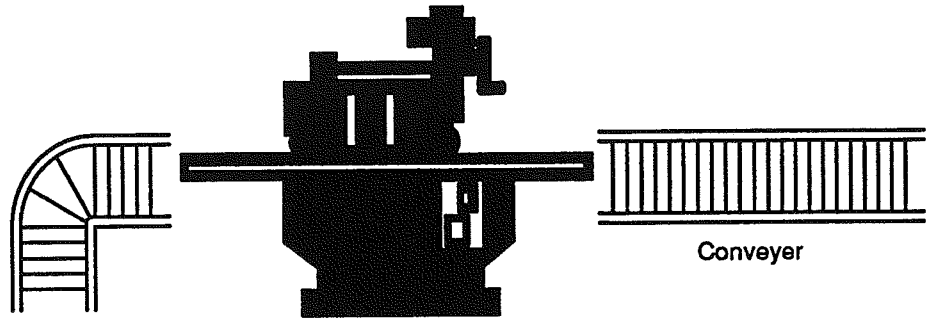
The shaded area indicates data exchange timing between a PC and the Net Link Unit's buffer memory. If datagram service is requested at the same time, only one node's data is exchanged at a time (in the order of entry).

If datagram servicing, data link levels, node applications, etc., cause problems for system operation, the error flags in the SR area will turn ON. If these flags turn ON repeatedly, check the settings and timing of the system to determine the cause.

### 3-7 Application Examples

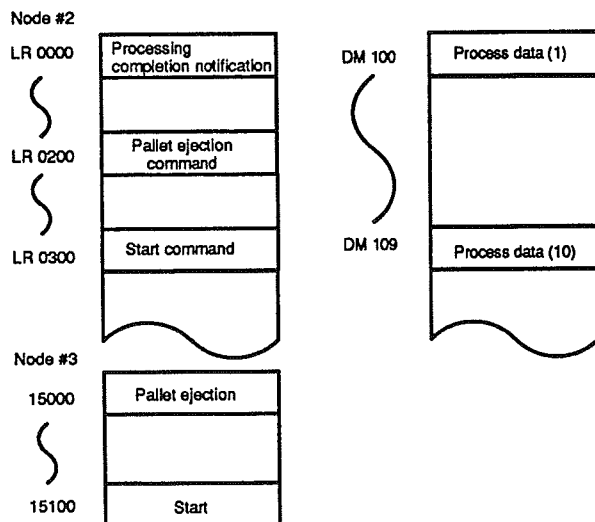
#### 3-7-1 Data Transfer from PC to Computer

In this example, data is transferred between a machining center and a computer. A start signal is also transferred between the machining center and a conveyor.



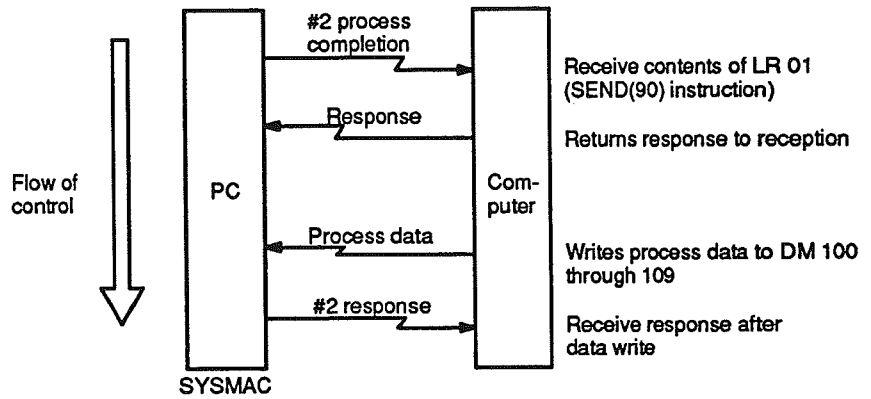
- 1, 2, 3...
1. When node #2 has completed processing the data, the computer is informed. The computer then transfers the process data of the next job to node #2.
  2. Node #2 transfers a pallet ejection command to node #3 which controls the conveyor. From node #3, a start command is transferred to node #2.
  3. When a machining center alarm is generated by node #2, it informs the computer that controls node #1 and is displayed on the computer's monitor.

#### Memory Assignment

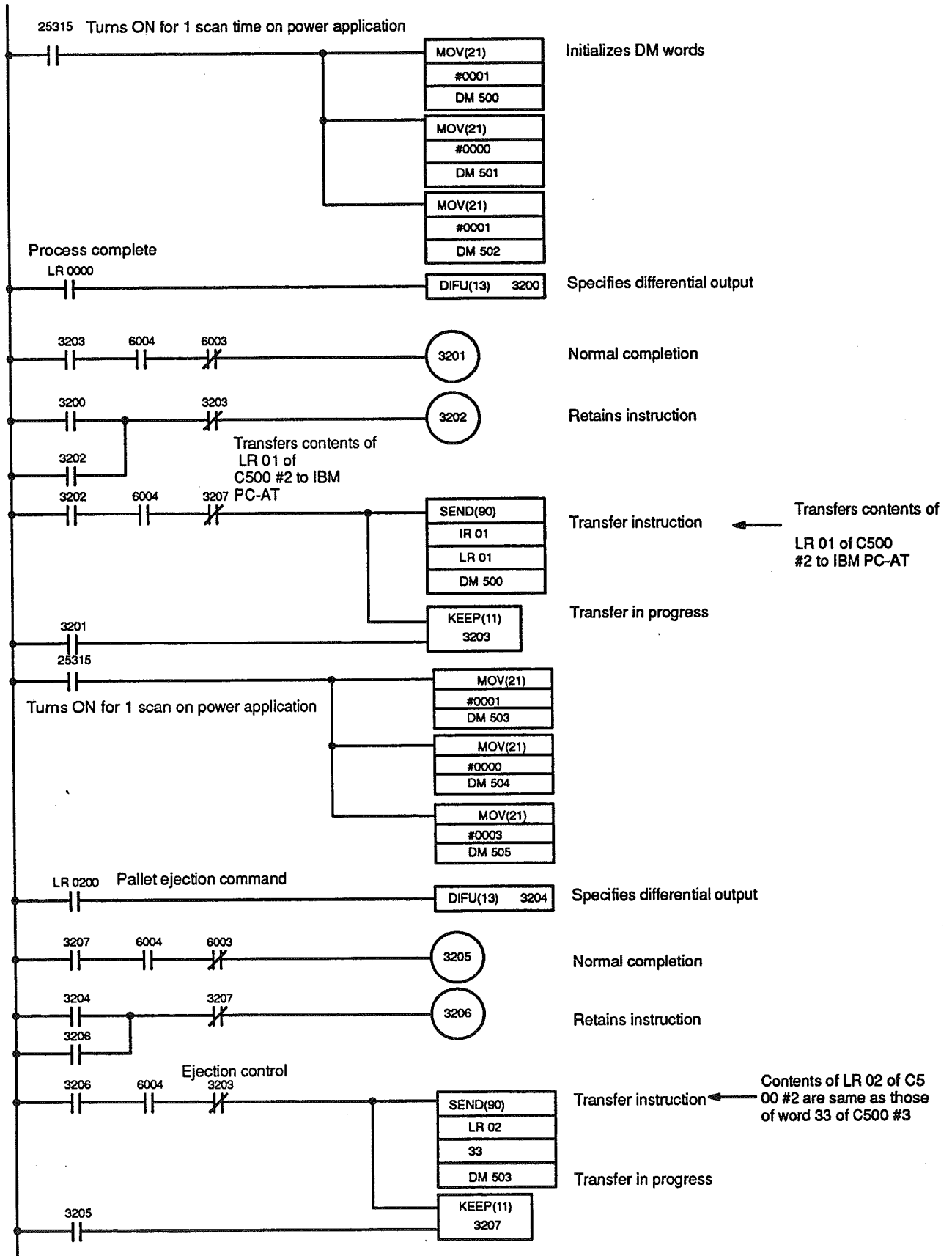


Software of Computer

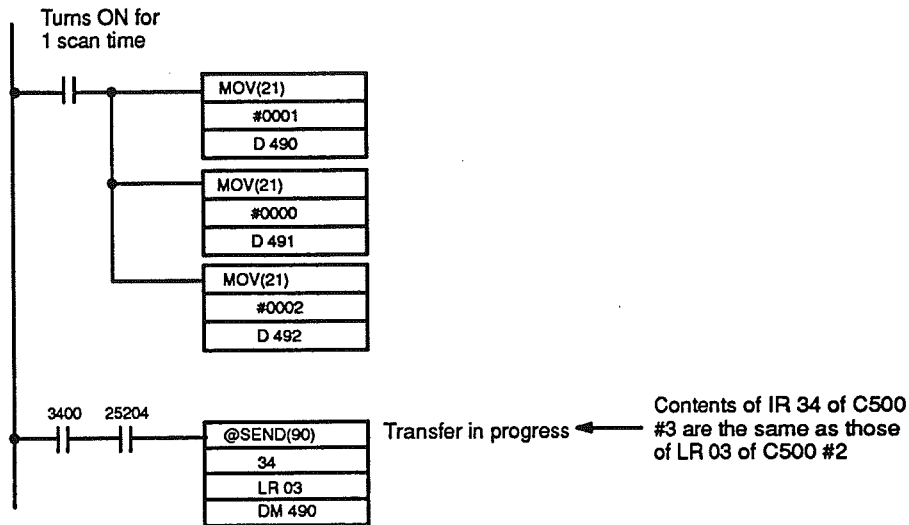
The computer (IBM PC-AT) sends the following commands and responses to create an application program:



PC Program



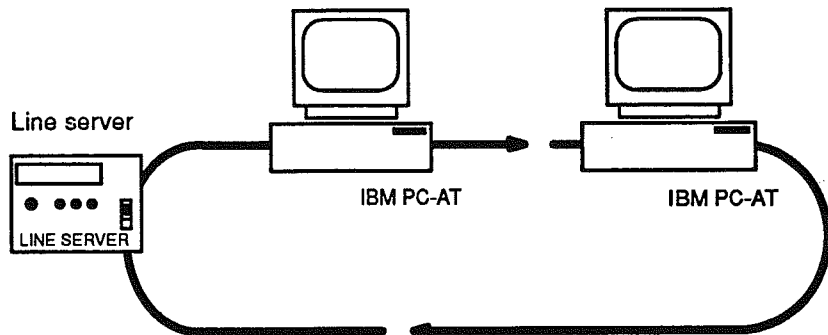
Software of Node #3



3-7-2 I/F Routine for Datagram Service

In the following example, a simple data transfer/reception test is conducted between two FA computers (or IBM PC-ATs) by using the BASIC I/F routine for datagram service.

System Configuration

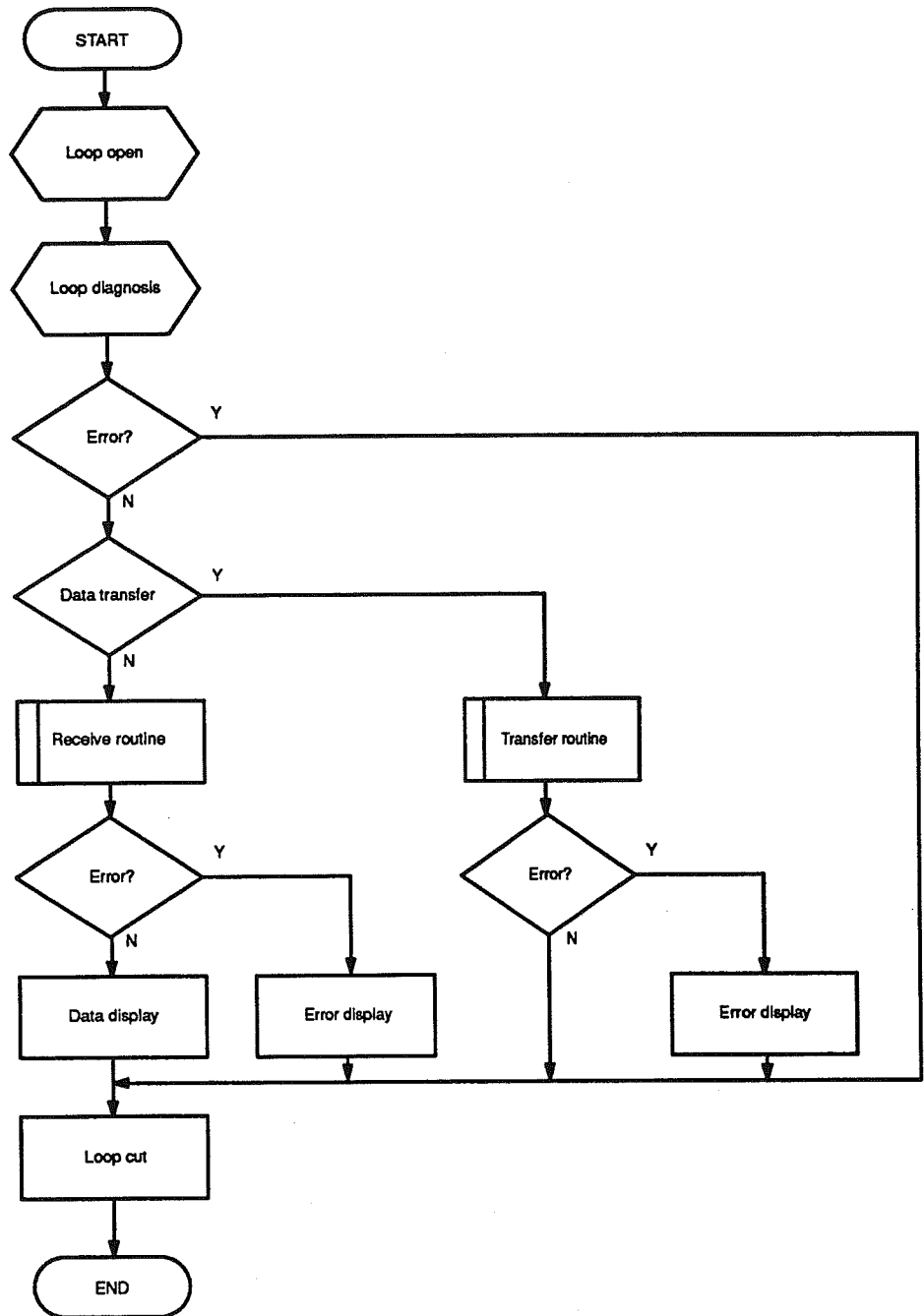


System Outline

- 1, 2, 3... 1. Preparation is made so that the datagram service can be used on the network and a loop is opened.
2. Data of specified length is transferred to the destination node the specified number of times.
3. Data transferred to the receive node is displayed.

I/F Routine Flowchart

The following flowchart shows completion of a datagram using the BASIC I/F routine



## SECTION 4

# Troubleshooting Functions of the NSB

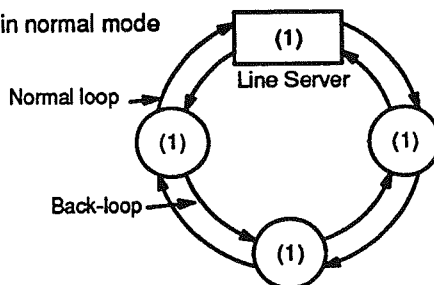
4-1	Diagnostic Utilities .....	44
4-2	The Status Read Test .....	45
4-3	The Echo-back Test .....	46
4-4	The Broadcast Test .....	46

## 4-1 Diagnostic Utilities

The diagnostic utilities available for troubleshooting the SYSMAC NET are effective for identifying network problems. The utilities are run from a IBM PC-AT computer node, so it is highly recommended that each network loop have at least one of these nodes. The three software tests shipped with the Network Support Board are the Status Read Test, the Echo-back Test, and the Broadcast Test. This section will describe each of these diagnostic utilities. For more detailed information about these tests, refer to the *Network Support Board Operation Manual*.

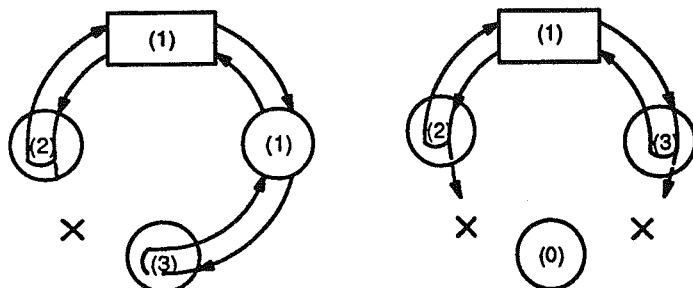
If the network encounters a problem at one of the nodes along the loop, the last node that is properly functioning will reverse the direction of data so that the loop remains functional. The next diagram shows how a network functions in the event of a break in the Optical-Fiber Cables.

1. All in normal mode

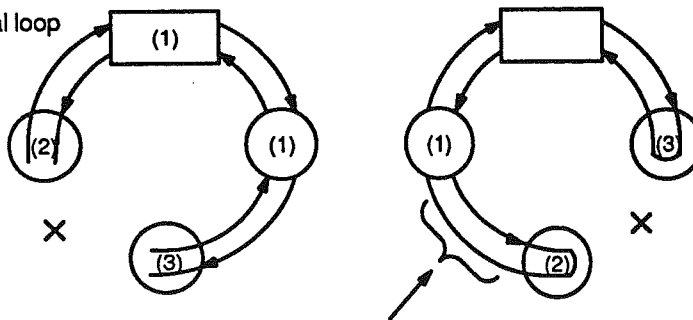


The figures in parentheses are the mode numbers.  
 (0) Mode 0, loop abnormality  
 (1) Mode 1, normal  
 (2) Mode 2, downstream  
 (3) Mode 3, upstream

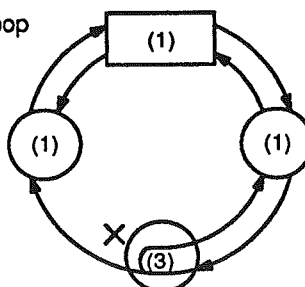
2. Normal and back-loop are broken



3. Only the normal loop is broken



4. Only the back-loop is broken





If the network has two breaks in the cable, then one group of nodes will be isolated from the Line Server. The Line Server's responsibility is to issue the initial token and monitor the network loop's token. When a group of nodes is isolated from the Line Server, there is a possibility that the token was within the isolated group when the second break occurred. In this instance, the Line Server would re-issue the token and the back-loop function would insure communications works properly on the part of the network still connected to the Line Server.

When reconnecting these network loops, make sure that SL1 goes to SL2 and vice versa. If problems are still encountered after connecting the isolated loop back to the Line Server, disconnect the cables connecting each node so that no light is being passed. Then reconnect them SL1 to SL2 and vice versa.

### Intermittent Errors

Intermittent errors are the most difficult to identify, but even these can be found and fixed. If it is suspected that the level of light reaching a node falls in the narrow range between ON and OFF, the echo-back test is the best test to execute. Use the broadcast test to find suspicious nodes followed by the echo-back test for verification. If all else fails, the network can be disconnected and reconnected sequentially from the Line Server.

**Note** Check that electrical noise is not causing a node to malfunction. The Optical-Fiber Cables are noise resistant, but high-voltage current may disrupt the network components themselves.

## 4-2 The Status Read Test

The Status Read Test is accessed from the computer by inputting DIAGMT32/E followed by enter. The file uses the DEVICE=DIAG32.COM, of the CONFIG.SYS file, the DIAGMT32.EXE, and the DIAGMT32.DAT files. If the diagnostic start up menu does not appear after inputting the DIAGMT32 command, verify that those files have been loaded.

The startup menu has the following appearance:

```
*** S3200 DIAGNOSTIC UTILITY PROGRAM ***  
  
                                VERSION 4.02  
  
1. READ NODE'S STATUS  
2. DUMP THE MEMORY  
3. SET COMMENT  
4. Echo-back TEST  
5. BROADCAST TEST  
6. CONFIGURATION  
  
Enter your requirement.  
Press [ESC] key to exit.
```

If the NCD and BCD indicators indicate that a timed-out node is functioning suitably, but the status read test indicates an error at this node, then verify that the cables are connected properly. They should be connected from SL1 of one node to SL2 of the next.

The status read test will check any specified node or any range of nodes. It displays the power supply status of a node, and other information as has been specified from the Diagnostic Startup Menu.

### 4-3 The Echo-back Test

The most difficult network problems occur when a node intermittently has errors. The status read test checks a node's status once, and thus would not identify an error that occurs only once out of one thousand times. The echo-back test has functions to identify these types of errors.

This tests operates by sending 2K bytes of data to a specified node and then checking it against what that node returns. A properly functioning node will return exactly the same data back to the testing node. The testing will continue operating until it is discontinued by pressing the ESC key. A bad node will have many timeout errors. This may indicate that the connection is bad. Check this possibility first.

***		ECHO BACK TEST		***	
Network No.	0	Node address	80	Optical LAN	D3
Enter Network No.		_____			
Enter node address of Dest.		_____ 2 _____			
Press [ESC] key to exit.					

### 4-4 The Broadcast Test

This test functions by sending the same data to all nodes of the network loop simultaneously. Each node will count how much data it has received. A status read should then be executed to determine how much each node has counted. If one node has too little data, the problem is there. Check that the connection to this node is not faulty.

The number of broadcasts and the interval between the broadcasts is determined from the test's startup menu. Two computers within the same network loop should not attempt to broadcast at the same time.

***		BROADCAST LOOP TEST		***	
Network No.	0	Node address	80	Optical LAN	D3
Class	(A-Z)	:A			
Count	(Max = 9999) (0 = Aging)	:100			
Interval	(Max = 9999) ( [0.1 msec] )	:1			
-----					
Start	:87/08/07	08:45:50			
Send	:87/08/07	08:46:09			
Stop	:87/08/07	08:46:09			
Press [ESC] key to exit.					

If the network appears to have a node with intermittent problems, this test is the best one to identify it. The suspected node can then be addressed with the echo-back test. The advantage of the broadcast test over the echo-back test is that all nodes in the network do not need to be tested one by one to find the bad one.



## Appendix A Standard Models

Name	Model
Line Server	S3200-LSU03-01E
Network Support Board for IBM PC-AT compatible	S3200-NSB11-E
Network Support Board for FIT10	FIT10-IF401
NET Link Unit for C500, C1000H, C2000H	C500-SNT31-V4
NET Link Unit for C200H	C200H-SNT31
Network Service Unit	S3200-NSUA1-10E
Local Bridge	S3200-NSUG4-10E

### CPU-System Compatibility

CPU	3G2C3-CPU11-EV1	C1000H-CPU01-EV1 C2000H-CPU01-EV1	C2000H-CPU01-EV1 Duplex	C200H-CPU11-E
Two NET Link Units	N	Y (SNT31-V4) (See Note 2)	N	Y (See Note 2)
NET Link Unit and SYSMAC Link Unit (SLK 21)	N	Y (See Note 2, 3)	N	Y (See Note 2, 3)
NET Link Unit and Single-level PC Link Unit	Y (See Note 3)	N	N	Y (LK003) (See Note 3)
NET Link Unit and Multilevel PC Link Unit	Y (See Note 3)	Y (See Note 3)	(Y)	Y (LK003) (See Note 3)
NET Link Unit and CPU-mounting Host Link Unit	Y	Y	Y	Y
NET Link Unit and Rack-mounting Host Link Unit	N	N	N	Y (LK101, LK202)
NET Link Unit and Multilevel Host Link Unit	N	Y (See Note 2)	Y (See Note 2)	Y

N: Impossible to operate on the same PC.

Y: Possible to operate on the same PC.

(Y): Possible to operate when the NET Link Unit data link is not operating.

- Note**
1. The PC Link and SYSMAC LINK differ functionally from the SYSMAC NET Data Link and application software.
  2. When the PC Link or SYSMAC LINK is used with the SYSMAC NET Data Link, do not set the same or overlapping data link areas for both Units.
  3. The C200H-SNT31 cannot be used with the C200H-CPU01.
  4. The C500-SNT31, -V1, -V2 and -V3 cannot be used concurrently with the C500-SNT31-V4.
  5. H-PCF cable can be assembled and attached to the connector by the customer.

## Connectors

A special assembly tool is required for assembling the connector. H-PCF cable can be used between nodes of the same loop.

Model	Number required	Applicable node
S3200-COCH62M	1 included 1 required for each node	SYSMAC NET Link Unit (C500-SNT31/-V1/V2/V3/V4) Line Server (S3200-LSU03-V1) Local Bridge (S3200-NSUG4-10E) NSU (S3200-NSUA1-10E) NSB for PC-AT (S3200-NSB11) NSB for FIT10 (FIT10-IF401)
S3200-COCF2511	1 included 1 required for each node	Only for C200H-SNT31
S3200-COCF62M	For cable junction	—
S3200-COCF62F	1 required per junction	—

## Optical Connector Assembly Tools

Both assembly tool sets are identical except for the cutters. When using connectors from both groups in the table, order either tool set plus the cutter from the other tool set.

Model	Remarks	Applicable optical connector
S3200-CAK62	Optical fiber cutter: S3200-FC4511	S3200-COCH62M S3200-COCF62M S3200-COCF62F
S3200-CAK1010	Optical fiber cutter: S3200-FC4511	S3200-COCF2511

## Optical Power Tester

Both power tester sets assembly tool sets are identical except for the head units. When using connectors from both groups in the table, order either power tester set plus the head unit from the other power tester set.

Model	Remarks	Applicable optical connector
S3200-CAT3200	Head unit: S3200-CAT3202	S3200-COCH62M S3200-COCF62M S3200-COCF62F
S3200-CAT2000	Head unit: S3200-CAT2002	S3200-COCF2511

## Master Fiber

Model	Applicable optical connector
S3200-CAT3201	S3200-COCH62M S3200-COCF62M S3200-COCF62F
S3200-CAT2001H	S3200-COCF2511

## Transmission Distance

When both ends of the connector are assembled to the H-PCF cable, the cable attenuation is increased by approximately 1.5 dB.

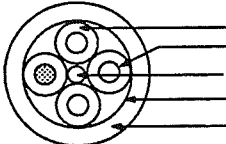
Optical fiber cable	Maximum transmission distance
H-PCF	800 m

## Appendix B Specifications

### System Specifications

<b>Communication method</b>	Token ring (n:n communication)
<b>Transmission rate</b>	2M bps
<b>Transfer method</b>	Manchester code/baseband
<b>Distance between nodes</b>	Max. 1 km (3 km with repeater)
<b>Transmission line</b>	Optical-fiber Cable, with or without power feeder lines
<b>Message length</b>	2K bytes
<b>Number of nodes</b>	Maximum 126 + 1 Line Server
<b>Node types</b>	C-series SYSMAC NET Link Unit PC-AT with Net Support Board Bridge Net Service Unit (synchronous/asynchronous, 9600 bps max., full duplex, 2 serial ports/Unit)
<b>Number of networks</b>	Max. 20 networks with direct connection using bridge
<b>Error handling</b>	Automatic loopback and node bypass with Local Power Supply Unit
<b>Ambient temperature</b>	Operating: 0° to 50°C Storage: -20° to 65°C
<b>Ambient humidity</b>	Operating: 35% to 85% (with no condensation)
<b>Dust</b>	Must be relatively dust-free
<b>Atmosphere</b>	Must be relatively free from corrosive gases
<b>Power requirements</b>	Network Support Board: Power is supplied form Local Power Supply or power supply of computer. Network Service Unit: Power is supplied from Local Power Supply or power supply rated at 1 A 24 VDC max. Line Server: 0.5 A 24 VDC max.
<b>Basic communication functions</b>	Communication between nodes, broadcasting, communication protocol conversion, baud rate conversion with NSU, code conversion (EBCDIC, ASCII, JIS7, JIS8) with NSU

### Optical-fiber Cable Specifications

Configuration (structure)	Structural cross-section of the cable	 <p data-bbox="973 324 1157 443">                     Optical Fiber Cable                      Electrical wire                      Tension member                      Securing tape                      Sheath                 </p>
Cable diameter		10 mm
Allowable bending radius		Cable: 100 mm (when laid) 2-core cable: 15 mm (when laid)
Tensile strength (maximum allowable tensile force)		Cable: 75 kg 2-core cable: 25 kg Between the connectors: 2 kg/core
Maximum allowable pressure (crush resistance)		100 kg/50 mm
Weight		130 kg/km
Ambient temperature		Operating: -20° to 70°C Storage: -40° to 70°C
Transmission loss		7 dB/km
Core diameter		200 μm
Cladding diameter		230 μm
Number of cores		2
Number of power lines		2
Power line size		0.75 m <sup>2</sup>
Model number		S3200-HCLB (cable only)



## Appendix C Software Files

The following files are used by SYSMAC NET.

Software	Function
CP_3200.COM	Computer BIOS driver
DGIOX.COM	Datagram service driver
DIAG32.COM	Diagnostic service driver
NAME32.COM	Name service driver
DIAG32.COM	Diagnostic for loop status
LTEST.EXE	Loop test status
DGSUB.OBJ	Interface to BASIC for datagram service
DGSUB.BIN	Interface to other languages



# Glossary

<b>area computer</b>	A factory computer used to control automation over a wide area. This area is usually only one part of a larger factory.
<b>ASCII code</b>	[A(merican) S(tandard) C(ode for) I(nformation) I(nterchange)]. A standard computer code used to facilitate the interchange of information among various types of data-processing equipment.
<b>backup</b>	A copy of existing data which is valuable if data is accidentally erased.
<b>baud rate</b>	Transfer speed between two devices in a system measured in bits per second. For example, an optical sensor might be configured to send its information to the FIT at 9600 baud. It is important for both of the devices to be set to the same baud rate.
<b>bit</b>	The smallest piece of information that can be represented on a computer. A bit has the value of either zero or one, corresponding to the electrical signals ON and OFF. A bit is one binary digit.
<b>central processing unit</b>	A device that is capable of storing a program and data, and executing the set of instructions contained in the program. In a PC System, the central processing unit executes the program, processes I/O signals, communicates with external devices, etc.
<b>Centronics Interface</b>	Physical design of cable connector allowing a parallel device such as a printer to be attached to the FIT.
<b>communications cable</b>	Cable used to transfer data between components of a control system and conforming to the RS-232C or RS-422 standards.
<b>CPU</b>	An acronym for central processing unit.
<b>data area</b>	An area in the PC's memory that is designed to hold a specific type of data, e.g., the LR area is designed to hold common data in a PC Link System.
<b>data disk</b>	Floppy disk used to store information such as programs or I/O tables. The data disk should be used in drive B of the FIT.
<b>data link</b>	Allows for the connection of up to 32 PCs in a System where each is contributing information to a common memory area. Data links may be established in the LR and/or DM memory areas.
<b>debugging</b>	The process of checking for errors in a program.
<b>EPROM</b>	[E(rasable) P(rogrammable) R(ead) O(nly) M(emory)] A type of ROM in which stored data can be erased, by ultraviolet light or other means, and re-programmed.
<b>factory computer</b>	A general-purpose computer, usually quite similar to a business computer, that is used in automated factory control.
<b>flag</b>	A bit that is turned ON and OFF automatically by the system in order to provide status information.

---

## *Glossary*

---

<b>hexadecimal</b>	Number system used to represent numbers in base 16 with digits 0,1,2...9,A,B...F.
<b>host computer</b>	A computer that is used to transfer data to or receive data from a PC in a Host Link system. The host computer is used for data management and overall system control. Host computers are generally small personal or business computers.
<b>IBM PC/XT or AT, or compatibles</b>	A computer that has similar architecture to, and is logically compatible with an IBM PC/XT computer; and that can run software designed for that computer.
<b>LAN</b>	An acronym for local area network.
<b>LOAD instruction</b>	Starts the operation of a line of programming. Each new line off the bus bar has an address number, a LD instruction, and a relay number.
<b>local area network</b>	A network consisting of nodes or positions in a loop or trunk arrangement. Each node can be any one of a number of devices. This kind of network usually operates over a small area such as a group of offices or a factory floor.
<b>MS-DOS</b>	Operating system that many computers use for internal functioning. The FIT has MS-DOS on its hard disk allowing the same ladder support software written on a GPC or personal computer to run on the FIT.
<b>PC</b>	An acronym for Programmable Controller (See).
<b>PC Link Unit</b>	A Unit used to connect two or more PCs together so that they can exchange data through their LR areas.
<b>PLC</b>	See Programmable Controller.
<b>Power Supply</b>	In OMRON terminology a Unit that mounts to a Backplane in a Rack PC. It provides power at the voltage required by the other Units on the Rack.
<b>Programmable Controller</b>	A small, computer-like device that can control peripheral equipment, such as an electric door or quality control devices, based on programming and peripheral input devices. Any process that can be controlled using electrical signals can be controlled by a PC. PCs can be used independently or networked together into a system to control more complex operations.
<b>RAM</b>	[R(andom) A(ccess) M(emory)] RAM will not retain data when power is disconnected. Therefore data should not be stored in RAM.
<b>ROM</b>	[R(ead) O(nly) M(emory)] A type of digital storage that cannot be written to. A ROM chip is manufactured with its program or data already stored in it, and it can never be changed. However, the program or data can be read as many times as desired.
<b>RS-232 Interface</b>	An industry standard connector for serial communications.
<b>RS-422 Interface</b>	An industry standard connector for serial communications.
<b>scan time</b>	The total time it takes the PC to perform internal operations, i.e., reset the watchdog timer, read the program, receive input data, send output data, and

---

## *Glossary*

---

execute instructions. Scan time is monitored by the watchdog timer within the PC, and if it takes longer than a certain specified amount of time, an error message may be generated, or the CPU may just stop. Scan times will differ depending on the configuration of the system.

**system configuration**

The arrangement in which Units in a System are connected. This term refers to the conceptual arrangement and wiring together of all the devices needed to comprise the System. In OMRON terminology, system configuration is used to describe the arrangement and connection of the Units comprising a Control System that includes one or more PCs.

**system disks**

Floppy disks containing MS-DOS and other information the computer uses for internal functioning.

**token ring network**

A special type of network with all the devices on the network connected in the shape of a ring. A special signal ("token") is passed around the ring, and messages are carried on this signal.

**Unit**

In OMRON PC terminology, the word Unit is capitalized to indicate any product sold for a PC System. Though most of the names of these products end with the word Unit, not all do, e.g., a Remote Terminal is referred to in a collective sense as a Unit. Context generally makes any limitations of this word clear.

**word**

In digital circuits, a group of bits. Usually a word consists of four, eight, or sixteen bits. In C-series PCs, a word consists of sixteen bits. Words can be used to store data, or they can be used for I/O.

**word operand**

The numerical address of a word allowing it to be used in programming.



# Index

## B to D

- backloop, 3
- BCD indicator, 6
- BIOS, 15
- Bridge, 21
- broadcast test, 46
- busy token, 10
- CALL command, 28
- CIM, 1
- communication format differences, 31
- CONF32, 15, 29
- CUT32, 15
- data link tables, 11
- data link transmission times, 37
  - C1000H/C2000H Simplex, 37
  - C200H/C500/C2000H Duplex, 37
- data transfer processing time, 37
- data transfer times, 36
  - cable length, 36
  - data transmission/reception time, 36
  - delay at line server, 36
  - delay for optical fiber cable, 36
  - delay time, 36
  - DMA transmission time, 36
  - number of nodes, 36
  - number of other nodes waiting to transmit, 36
  - permission to transmit detection time, 36
  - reception DMA time, 36
  - time/node, 36
  - total length of loop's cabling, 36
  - total number of nodes, 36
- datagram, 10
  - basic routines, 15
  - from BASIC, 15
- DC power indicator, 6
- DGIOX, 15
- DGIOX and DGSUB, 28
- DIAGMT32, 15
- downstream direction, 6

## E to L

- echoback test, 46
- EDLIN, 15
- Factory Intelligent Computer, 17
- FIT, 17
- free token, 9
- GD indicator, 6
- Host Link Unit, 30
- I/F routine for datagram service, 41

- intermittent errors, 45
- International Standards Organization, 28
- ISO, 28
- LAN, 2
- Line Server, 6
- local area network, 2
- LTEST, 15

## M to O

- master PC, 11
- message passing, 9
- NCD indicator, 6
- Net Link Adapter, 17
- NETBIOS: CP3200, 28
- NET Link Unit, 6
- NET Link Unit commands, 7
- network communications software, 28
- Network Service Unit, 19
- Network Service Unit's commands, 21
- Network Support Board, 12
- node, 2
- node bypass, 3
- NSB, 12
- NSB for the FIT, 17
- NSB settings, 13
- open systems interconnect, 28
- Optical-fiber Cable, 23

## P to S

- PC Link, 31
- PC-DOS, 12
- repeater, 6
- routing table, 22, 34
- RTREAD, 15
- RTSET, 15
- slave PC, 11
- STAT32, 15
- status read test, 45
- system configurations, 3

## T to V

- token ring, 2
- upstream direction, 6
- VER32, 15





## Revision History

A manual revision code appears as a suffix to the catalog number on the front cover of the manual.

Cat. No. W178-E1-1A

└── Revision code

The following table outlines the changes made to the manual during each revision. Page numbers refer to the previous version.

Revision code	Date	Revised content
1	October 1990	Original production
1A	March 1996	<p><b>Page 9:</b> Graphic of C200H SYSMAC NET Link Unit added.</p> <p><b>Page 10:</b> Three commands added: \$2D, \$2E, and \$2F.</p> <p><b>Page 11:</b> Table header corrected</p> <p><b>Page 12:</b> Allowable data ranges corrected in and added to table.</p> <p><b>Page 13:</b> Allowable DM range for C200H corrected in table.</p> <p><b>Page 16:</b> IRQ10 indicated as a setting of "A."</p> <p><b>Page 24:</b> Table corrected and clarified.</p> <p><b>Page 33:</b> Symbol on program lines 500 and 600 corrected.</p> <p><b>Page 35:</b> RS-232 corrected to RS-232C in bottom diagram.</p> <p><b>Page 36:</b> PC Line corrected to PC Link in top diagram.</p> <p><b>Page 37:</b> Text data length corrected in top diagram.</p> <p><b>Page 42:</b> Abbreviations clarified.</p> <p><b>Page 46:</b> Program modified.</p> <p><b>Page 59:</b> Table corrected.</p> <p>Appendix A and B reversed.</p> <p>Standard model tables corrected.</p>



**OMRON Corporation**

FA Systems Division H.Q.

66 Matsumoto

Mishima-city, Shizuoka 411-8511

Japan

Tel: (81)559-77-9181/Fax: (81)559-77-9045

**Regional Headquarters**

**OMRON EUROPE B.V.**

Wegalaan 67-69, NL-2132 JD Hoofddorp

The Netherlands

Tel: (31)2356-81-300/Fax: (31)2356-81-388

**OMRON ELECTRONICS, LLC**

1 East Commerce Drive, Schaumburg, IL 60173

U.S.A.

Tel: (1)847-843-7900/Fax: (1)847-843-8568

**OMRON ASIA PACIFIC PTE. LTD.**

83 Clemenceau Avenue,

#11-01, UE Square,

Singapore 239920

Tel: (65)835-3011/Fax: (65)835-2711

# OMRON

**Authorized Distributor:**