

# Digital Fiber Sensor **OMRON** E3X-DA□□-S

## Standard models

### Instruction Sheet

Thank you for selecting OMRON product. This sheet primarily describes precautions required in installing and operating the product. Before operating the product, read the sheet thoroughly to acquire sufficient knowledge of the product. For your convenience, keep the sheet at your disposal.

#### TRACEABILITY INFORMATION:

Representative in EU:  
Omron Europe B.V.  
Wegalaan 67-69  
2132 JD Hoofddorp,  
The Netherlands

Manufacturer:  
Omron Corporation,  
Shiokoji Horikawa, Shimogyo-ku,  
Kyoto 600-8530 JAPAN  
Shanghai Factory  
No.789 Jinji Road,  
Jinqiao Export Processing District,  
Pudong New Area, Shanghai, 201206 CHINA

#### NOTICE:

This is a class A product. In a domestic environment this product may cause radio interference in which case the user may be required to adequate measures.

© OMRON Corporation 2011 All Rights Reserved.

2 1 6 6 9 3 6 - 3 A

#### Precaution on Safety

##### ● Meanings of Signal Words

**CAUTION** Indicates a potentially hazardous situation which, if not avoided, may result in minor or moderate injury or in property damage.

##### ● Alert statements in this Manual

#### CAUTION

Do not use it exceeding the rated voltage. There is a possibility of failure and fire.



Do not connect sensor to AC power supply. Risk of explosion.

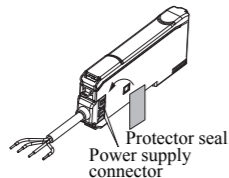


#### Precautions for Safe Use

- Do not use the Amplifier Unit in environments subject to flammable or explosive gases.
- Do not use the Amplifier Unit in environments subject to exposure to water, oil, chemicals, etc.
- Do not attempt to disassemble, repair, or modify the Amplifier Unit in any way.
- Do not apply voltages or currents that exceed the rated ranges.
- Do not use the Amplifier Unit in atmospheres or environments that exceed product ratings.
- Wire the Amplifier Unit correctly, e.g., do not reverse the polarity of the power supply.
- Connect the load correctly.
- Do not short both ends of the load.
- Do not use the Amplifier Unit if the case is damaged.
- When disposing of the Amplifier Unit, treat it as industrial waste.
- Do not use the sensor in the place exposed to the direct sunlight.

#### Precautions for Correct Use

- Do not use the Amplifier Unit under the following conditions.
  - In the place exposed to the direct sunlight.
  - In the place where humidity is high and condensation may occur.
  - In the place where corrosive gas exists.
  - In the place where vibration or shock is directly transmitted to the product.
- Wire the Amplifier Unit separately from power supply or high-voltage lines. If the Amplifier Unit wiring is wired together with or placed in the same duct as high-power lines, inductive noise may cause operating errors or damage the Amplifier Unit.
- For extending wires, use a cable 0.3mm min., and 100m max. in length. When using the cable as a Korea's S-mark certified product, use the cable of less than 10m in length.
- Do not extend the following force values applied the cable. Tensile: 40 N max., torque: 0.1 Nm max., pressure: 20 N max., flexure: 3 kg max.
- The Amplifier Unit is ready to operate 200 ms after the power supply is turned ON. If the Amplifier Unit and load are connected to power supplies separately, turn ON the power supply to the Amplifier Unit first.
- Please turn on the power supply at the same time when you connecting use the amplifier units with cables. Mutual interference prevention might not operate normally or mobile console might not be able to be used when the difference between connected amplifiers at the power supply turning on time is 30ms or more.
- Depending on the application environment, time may be required for the light level to stabilize after the power supply is turned ON.
- Output pulses may occur when the power is interrupted, so turn OFF the power to the load or load line before turning OFF the power to the Sensor.
- When you use the Amplifier Units with Connectors, to prevent electric shock or short-circuits, attach the protector seals provided with E3X-CN-series Connectors to the sides of power supply connectors that are not being used.
- Always turn OFF the power supply before connecting, separating, or adding Amplifier Units.
- Do not pull or apply excessive pressure or force (exceeding 9.8 N·m) on the Fiber Unit when it is mounted to the Amplifier Unit.
- Mobile console E3X-MC11-SV2 doesn't correspond to the new feature such as tough mode and ON delay OFF delay timer now. E3X-MC11-S cannot be used.
- Optical communication are not possible with the E3X-DA-N.
- Optical communication are possible with the E3X-DA-S or the E3X-MDA.
- Always keep the protective cover in place when using the Amplifier Unit.
- Do not use thinners, benzene, acetone, or kerosene for cleaning the Amplifier Unit.



#### Confirming the Package Contents

• Amplifier Unit: 1 • Instruction Sheet (this sheet): 1

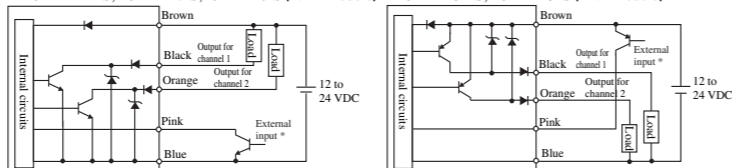
#### 1. Ratings and Specifications

Model	NPN	E3X-DA21-S	E3X-DA7-S	E3X-DA0-S
Control output quantity	PNP	E3X-DA51-S	E3X-DA9-S	—
External input quantity	2	2	2	—
Connection method	1	—	—	—
Light source (emission wavelength)	Pre-wired	Wire-saving connector*1	Connector for communication unit	—
Power supply voltage	Red LED(625nm)			
Power consumption	Normal: 960 mW max. (current consumption: 40 mA max. at power supply voltage of 24 VDC, 80 mA max. at power supply voltage of 12 VDC) ECO1: 720 mW max. (current consumption: 30 mA max. at power supply voltage of 24 VDC, 60 mA max. at power supply voltage of 12 VDC) ECO2: 600 mW max. (current consumption: 25 mA max. at power supply voltage of 24 VDC, 50 mA max. at power supply voltage of 12 VDC)			
Control output	Load power supply voltage: 26.4 VDC max.; NPN/PNP open collector; load current: 50 mA max.; residual voltage: 2 V max. off-stage current: 10µA max.			
External input	No-voltage input			
Protection circuits	Power supply reverse polarity protection, Output short-circuit protection and Output reverse polarity protection.			
Response time	Super-high-speed mode *2	Operate or reset: 80 µs		
	High-speed mode	Operate or reset: 250 µs		
	Standard mode	Operate or reset: 1 ms		
	High-resolution mode	Operate or reset: 4 ms		
	Tough mode	Operate or reset: 16ms		
Sensitivity setting	Teaching (2-point teaching, teaching for tough-beam sensor heads, teaching for reflective sensor heads, setting the threshold at the maximum sensitivity, positioning teaching or automatic-teaching) or manual adjustment			
Functions	Power tuning	Light emission power and reception gain, digital control method		
	Differential detection	Switchable between single edge and double edge detection mode Single edge: 250µs, 500µs, 1ms, 10ms or 100ms Double edge: 500µs, 1ms, 2ms, 20ms or 200ms		
	Timer	No effect, OFF delay, ON delay, one-shot or ON delay OFF delay Timer time: 1ms to 5s (variable)		
	Auto power control	High-speed control method for emission current		
	ATC	Threshold updates at intervals of about 3 s		
	Zero reset	Negative values can be displayed (Threshold value is shifted, too)		
	Setting reset	Initial reset or user reset		
	Mutual interference prevention	Possible for up to 10 Units *3		
	Eco mode	Off, Eco1 or Eco2 *4		
	Output setting	Output for each channel, Area output or Self-diagnosis output		
	External input settings	Various teachings, automatic teaching, power tuning, zero reset, light emission OFF or ATC start		
Indicator	Operation indicator for channel 1 (orange), Operation indicator for channel 2 (orange)			
Digital switch	Light level+Threshold, Light level ratio+Threshold, Peak light level+Bottom light level, Incident peak light level+No incident bottom light level, Analog bar display, Light level+Peak light level, Light level+Channel number 7-segment displays (Main display: Red, Sub-display: Green), display direction can be reversed.			
Digital display	Incandescent lamp: 10,000 lux max., Sunlight: 20,000 lux max.			
Ambient illumination (Receiver side)	Operating: Groups of 1 to 2 Amplifiers: -25°C to 55°C Groups of 3 to 10 Amplifiers: -25°C to 50°C Groups of 11 to 16 Amplifiers: -25°C to 45°C Storage: -30°C to 70°C (with no icing or condensation)			
Ambient temperature	Operating and storage: 35% to 85% (with no condensation)			
Ambient humidity	20 MΩ min. (at 500 VDC)			
Insulation resistance	1,000 VAC at 50/60 Hz for 1 minute			
Dielectric strength	Destruction: 10 to 55 Hz with a 1.5-mm double amplitude for 2 hours each in X, Y and Z directions			
Vibration resistance	Destruction: 10 to 150 Hz with a 0.7-mm double amplitude, 50m/s <sup>2</sup> max. acceleration for 80min each in X, Y and Z directions			
Shock resistance	Destruction: 500 m/s <sup>2</sup> 3 times each in X, Y and Z directions			
Degree of protection	IEC 60529 IP50 (with Protective Cover attached)			
Weight (packed state)	Approx. 100 g		Approx. 55 g	
Materials	Case: Polybutylene terephthalate (PBT)		Cover: Polycarbonate (PC)	

\*1: Both the E3X-CN21 Master Connector (4-conductor) and the E3X-CN22 Slave Connector (2-conductor) can be used.  
\*2: Communications and mutual interference prevention does not function if super-high-speed mode is selected for the detection mode.  
\*3: Mutual interference prevention can be used for only up to 6 Units if power tuning is enabled.  
\*4: Sensing distance is about 1/2 and light level is about 1/3 when the eco-mode is effective.

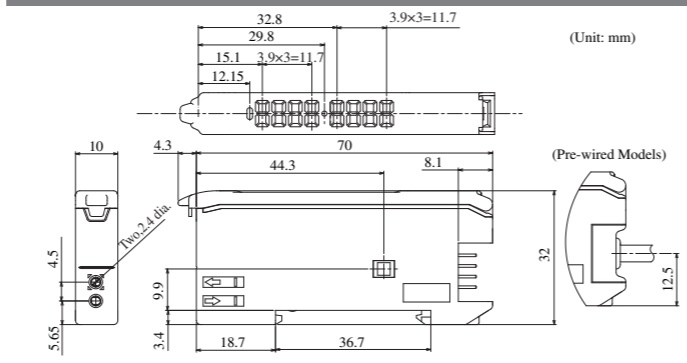
#### 2. I/O Circuits

■ E3X-DA21-S, E3X-DA7-S, E3X-DA0-S (NPN models) ■ E3X-DA51-S, E3X-DA9-S (PNP models)



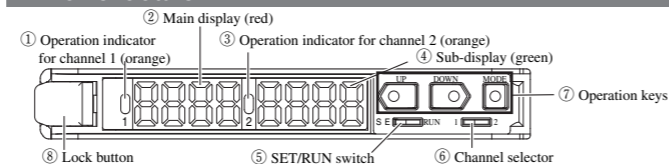
\* Only E3X-DA21-S and E3X-DA51-S

#### 3. Dimensions



\*E3X-DA0-S: Refer to E3X-CRT Operation Manual (E412-E1-01) or E3X-ECT Operation Manual (E413E1-01).

#### 4. Nomenclature



- Lit when the output for channel 1 is ON.
- Displays the incident light level, the function name or the change in the incident light level.
- Lit when the output for channel 2 is ON.
- Display the threshold, the setting of the function displayed on the main display or threshold ratio.
- Used to switch the mode.

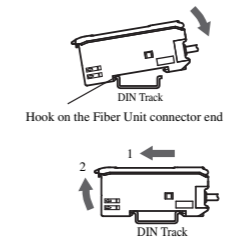
Mode	Description
SET	Select for various settings or teaching.
RUN	Select for operating, threshold value adjusting or various executions.

Key	RUN mode	Function	SET mode
UP key	Increases the threshold or threshold ratio.	Depends on the setting. • Executes teaching. • Changes the setting forward.	
DOWN key	Decreases the threshold or threshold ratio.	Depends on the setting. • Executes teaching. • Changes the setting in reverse.	
MODE key	Execute variously depends on the MODE key setting.	Switches the function to be set on the display.	

⑥ Used to select the channel to display or set.  
⑦ Used to change the display or set functions.

#### 5. Installing the Amplifier Unit

■ Mounting Units  
Catch the hook on the Fiber Unit connector end of the Unit on the DIN Track and then press down on the other end of the Unit until it locks into place.

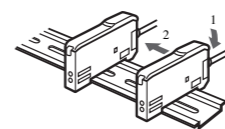


Always attach the Fiber Unit connector end first. If the incorrect end is attached first, the mounting strength will be reduced.

■ Removing Units  
Press the Unit in the direction indicated by "1" and then lift up on the Fiber Unit connector end of the Unit in the direction indicated by "2."

■ Joining Amplifier Units (for Units with Connectors)  
Up to 16 Units can be joined.

- Mount the Amplifier Units one at a time onto the DIN Track.
- Slide the Amplifier Units together and press the Amplifier Units together until they click into place.

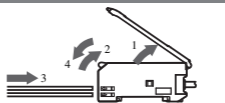


Secure the Units with an End Plate (PFP-M) if there is a possibility of the Amplifier Units moving, e.g., due to vibration.

Remove the Units in the reverse order.

#### 6. Connecting the Fiber Unit

- Open the protective cover
- Press up the lock button.
- Insert the fiber unit all the way to the back of the connector insertion opening.
- Return the lock button to its original position to secure the fiber unit.



#### 7. Basic Settings

##### 1. Setting the Operation Mode

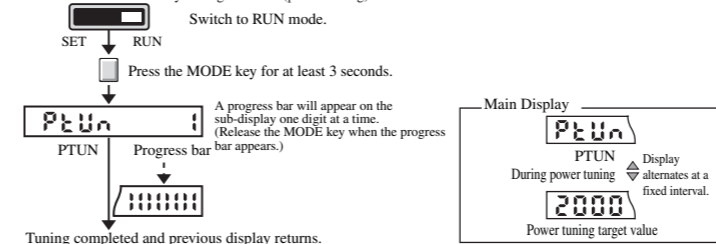
Select either light-ON or dark-ON operation. Set as the operation mode in SET mode. Refer to 8. Detailed Settings.

Selection	Description
LON (light-ON)	The output will turn ON when the incident light level is above the threshold. If DIFF (differential operation) is set for the detection method, the output will turn ON when an edge is detected.
DON (dark-ON)	The output will turn ON when the incident light level is below the threshold. If DIFF (differential operation) is set for the detection method, the output will turn OFF when an edge is detected.

##### 2. Adjusting the Power (as Required)

Power tuning can be used to adjust the incident light level that is currently being received to the power tuning target value (default: 2,000). Before tuning ON the power, always secure the detection object and Head and be sure that the incident light level is stable.

■ Setting Method  
Confirm that the MODE key setting is PTUN (power tuning) in advance.



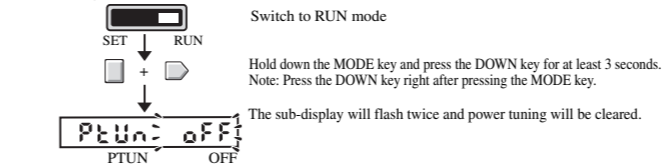
Tuning completed and previous display returns.  
The power tuning target value can be changed. Refer to 8. Detailed Settings.

The light level might change when the detection method is changed. In that case, execute the power tuning again after changing the detection method.  
If SHS is set for the detection method, the power tuning target value will not have effect and the power will be set to the minimum value.

● Power tuning Errors  
An error has occurred if one of the following displays appears after the progress bar is displayed.

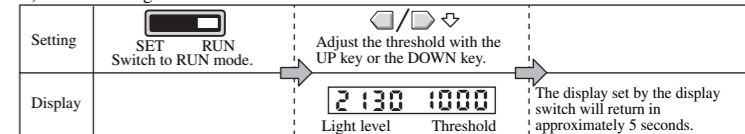
Flashes twice	Over Error The incident light level is too low for the power tuning target value. The power can be increased up to approximately 5 times the incident light level without power tuning.
Flashes twice	Bottom Error The incident light level is too high for the power tuning target value. The power can be decreased down to approximately 1/20th the incident light level without power tuning.

##### ■ Clearing Method



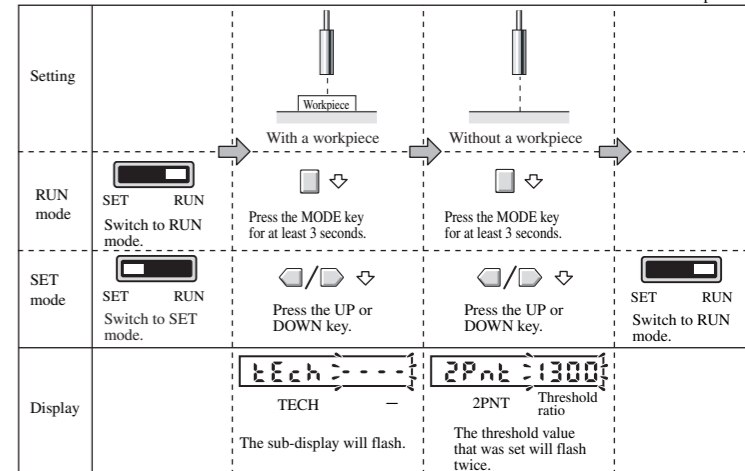
#### 3. Setting Thresholds

##### 1) Manual Setting



##### 2) Teaching

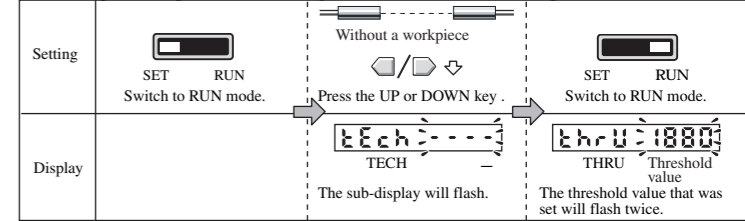
① 2-point teaching  
Teaching can be performed twice, once with and once without a workpiece, and the value between the two measured values is set as the threshold. RUN mode and SET mode – each mode can be set up.



② If DIFF (differential operation) is set for the detection method, the threshold value will be set to half of the difference between the two measured values.

##### ② Teaching for Through-beam Sensor Heads

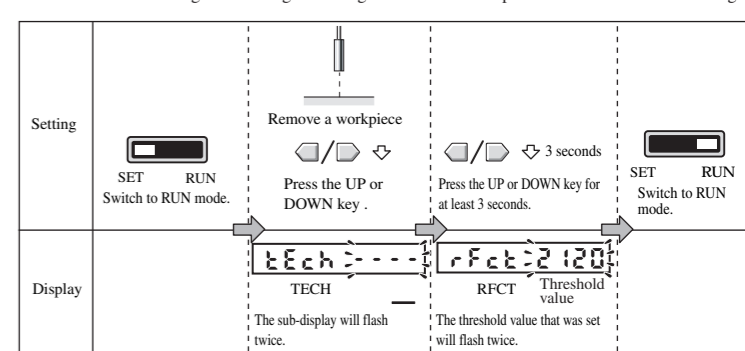
It is performed without a workpiece. The threshold will be set to lower with ratio in the teaching level setting for the light level of no workpiece. Refer to 8. Detailed Settings.



③ If DIFF (differential operation) is set for the detection method, the threshold value will be set to the minimum value that can be detected with stability for the light level of the without workpiece.

##### ③ Teaching for Reflective Sensor Heads

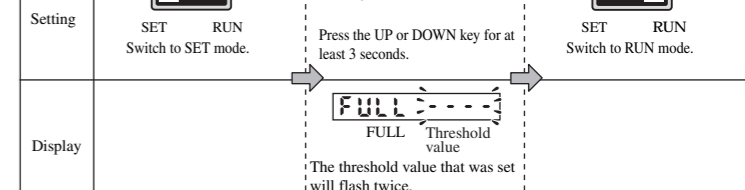
It is performed without a workpiece (i.e., for the background). The threshold will be set to upper with ratio in the teaching level setting for the light level of no workpiece. Refer to 8. Detailed Settings.



④ If DIFF (differential operation) is set for the detection method, the threshold value will be set to the minimum value that can be detected with stability for the light level of the without workpiece.

##### ④ Setting the Threshold at the Maximum Sensitivity

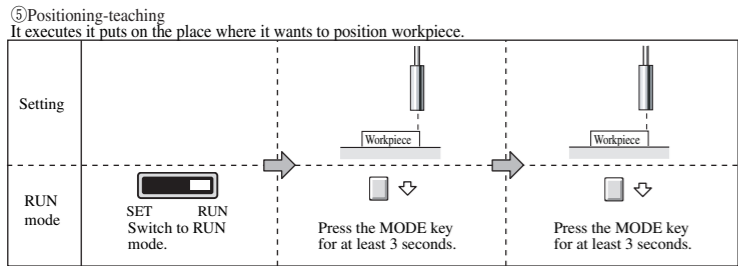
The threshold can be set at the maximum sensitivity. This is convenient when using the longest sensing distance.



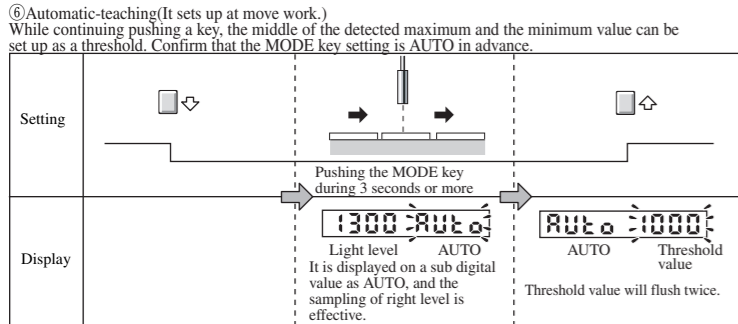
Execute it by the without workpiece. The value that is set will depend on the detection method and power tuning settings.

This method cannot be used to set the threshold when the detection method has been set to DIFF (differential operation).

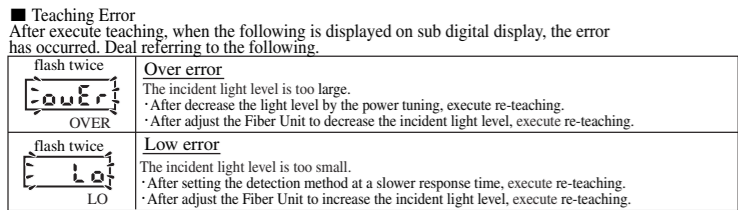




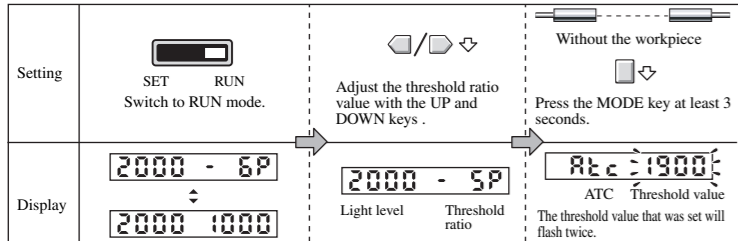
Refer to ① 2-point teaching for SET mode and display.



This method cannot be used to set the threshold when the detection method has been set to DIFF (differential operation).

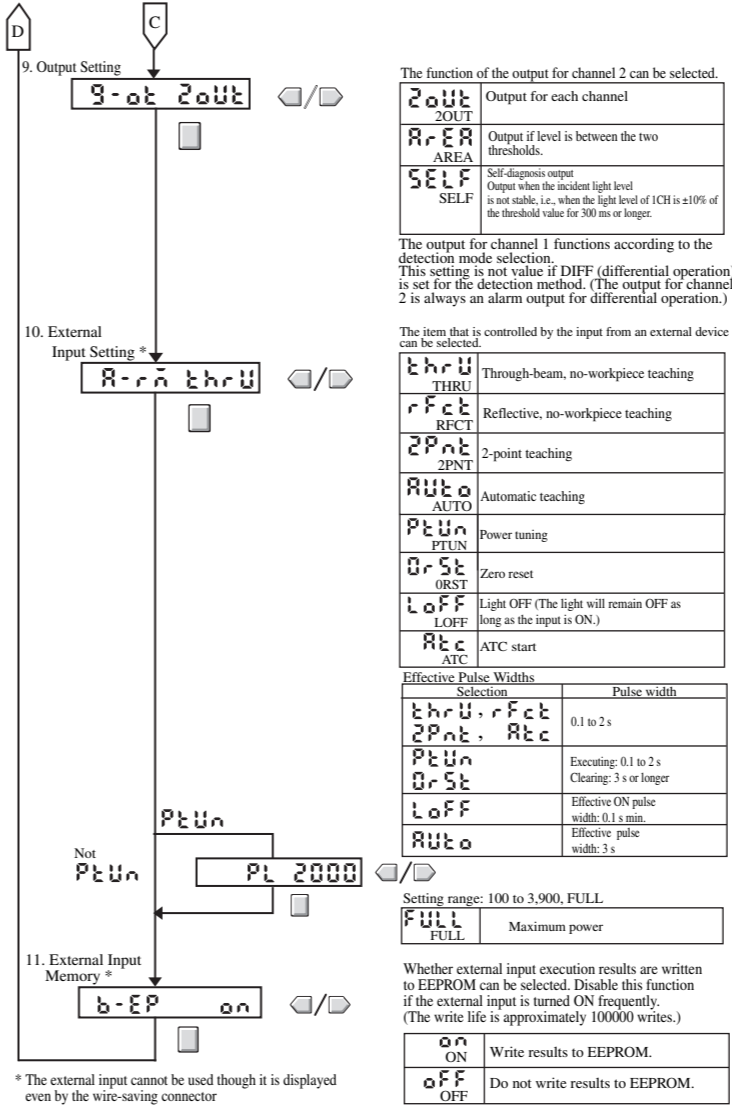
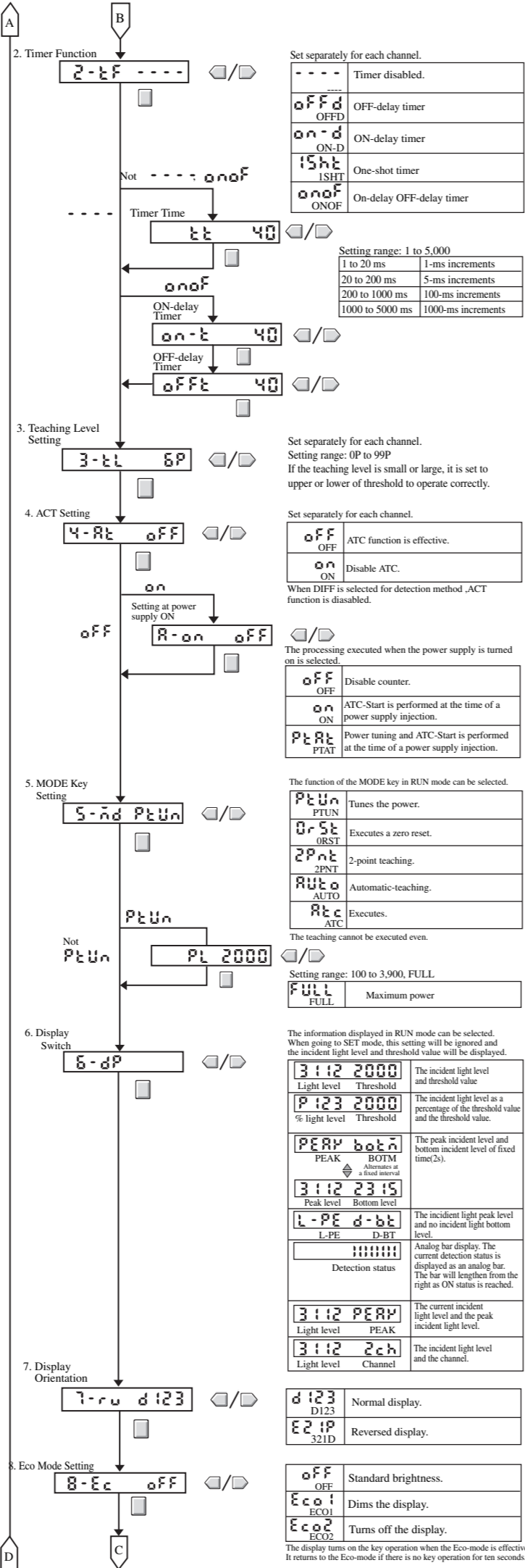
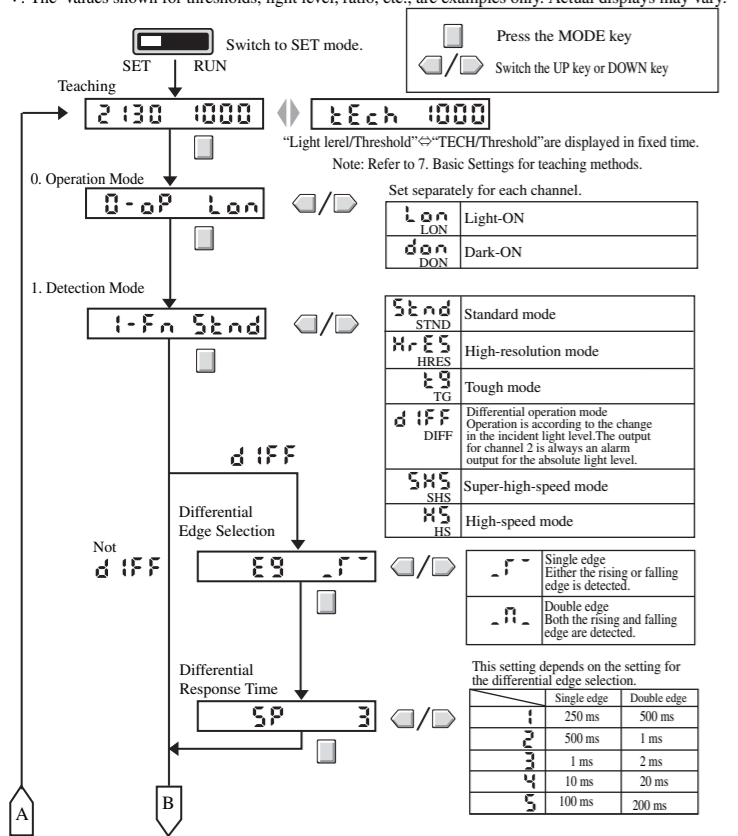


■ Effective set for ATC function  
The threshold ratio is adjusted or the threshold is updated by the incident level every about 3 seconds by ATC start. Confirm that the MODE key setting is ATC in advance.

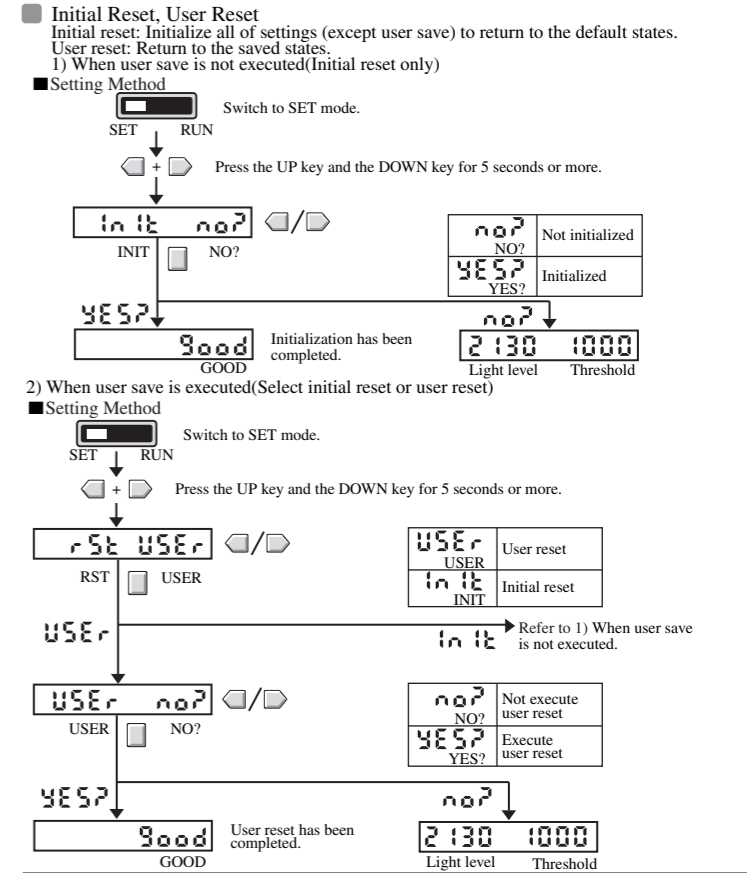
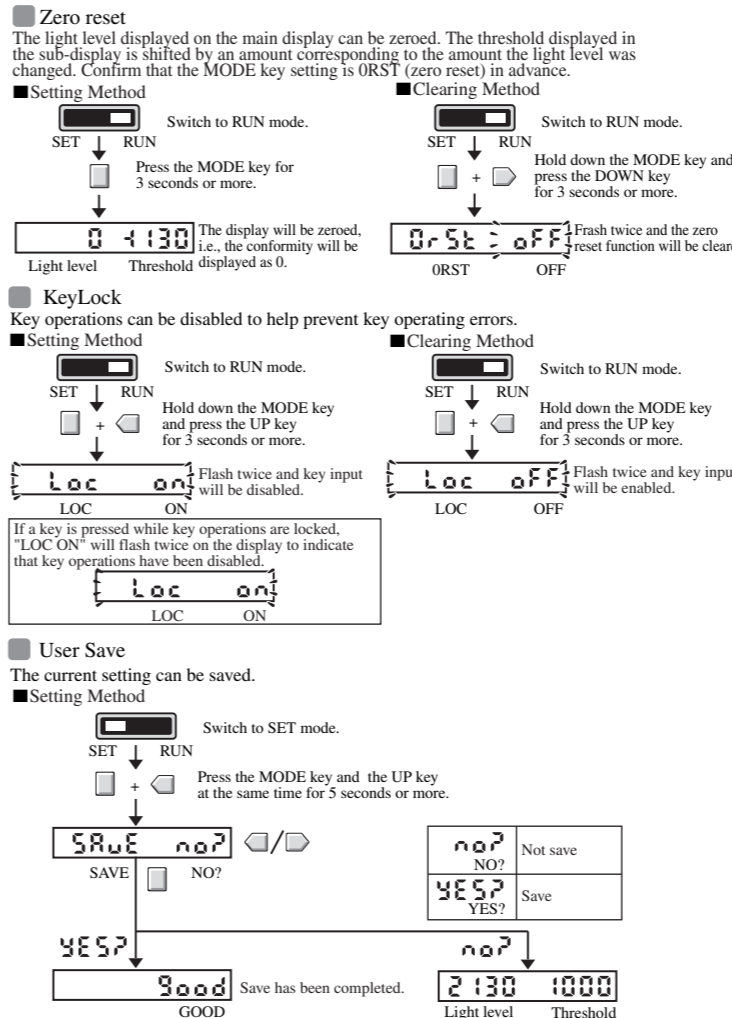


## 8. Detailed Settings

The following functions can be set in SET mode. The function displays are the default settings. All settings except for the operation mode, detection mode, timer function, teaching level setting and ACT setting are the same for both channels.  
\*: The values shown for thresholds, light level, ratio, etc., are examples only. Actual displays may vary.



## 9. Convenient Functions



10. Error display  
If the error occurs, the error messages are blinking as below. In these cases Execute following procedures to restore.

ouEr	cuR	Overcurrent of control output
Err	EeP	EEPROM error

## Suitability for Use

THE PRODUCTS CONTAINED IN THIS SHEET ARE NOT SAFETY RATED. THEY ARE NOT DESIGNED OR RATED FOR ENSURING SAFETY OF PERSONS, AND SHOULD NOT BE RELIED UPON AS A SAFETY COMPONENT OR PROTECTIVE DEVICE FOR SUCH PURPOSES. Please refer to separate catalogs for OMRON's safety rated products.

OMRON shall not be responsible for conformity with any standards, codes, or regulations that apply to the combination of the products in the customer's application or use of the product.

Take all necessary steps to determine the suitability of the product for the systems, machines, and equipment with which it will be used. Know and observe all prohibitions of use applicable to this product.

NEVER USE THE PRODUCTS FOR AN APPLICATION INVOLVING SERIOUS RISK TO LIFE OR PROPERTY WITHOUT ENSURING THAT THE SYSTEM AS A WHOLE HAS BEEN DESIGNED TO ADDRESS THE RISKS, AND THAT THE OMRON PRODUCT IS PROPERLY RATED AND INSTALLED FOR THE INTENDED USE WITHIN THE OVERALL EQUIPMENT OR SYSTEM. See also Product catalog for Warranty and Limitation of Liability.

■ EUROPE  
OMRON EUROPE B.V. Sensor Business Unit  
Carl-Benz Str.4, D-71154 Nufringen Germany  
Phone: 49-7032-811-0 Fax: 49-7032-811-199

■ NORTH AMERICA  
OMRON ELECTRONICS LLC  
One Commerce Drive Schaumburg, IL 60173-5302 U.S.A.  
Phone: 1-847-843-7900 Fax: 1-847-843-7787

■ ASIA-PACIFIC  
OMRON ASIA PACIFIC PTE. LTD.  
No. 438A Alexandra Road #05-08(Lobby 2),  
Alexandra Technopark, Singapore 119967  
Phone: 65-6835-3011 Fax: 65-6835-2711

■ CHINA  
OMRON(CHINA) CO., LTD.  
Room 2211, Bank of China Tower,  
200 Yin Cheng Zhong Road,  
PuDong New Area, Shanghai, 200120, China  
Phone: 86-21-5037-2222 Fax: 86-21-5037-2200

**OMRON Corporation**  
OCT, 2009



**OMRON**

デジタルファイバセンサ

# 形E3X-DA□□-S

汎用タイプ

## 取扱説明書

このたびは、本製品をお買い上げいただきまして、まことにありがとうございます。  
ご使用に際しては、次の内容をお守りください。  
・電気の知識を有する専門家が扱ってください。  
・この取扱説明書をよくお読みになり、十分にご理解のうえ、正しく使用ください。  
・この取扱説明書はいつでも参照できるように大切に保管してください。

**オムロン株式会社**  
© OMRON Corporation 2011 All Rights Reserved. 2 1 6 6 9 3 6 - 3 A

### 安全上のご注意

●警告記号の意味

**注意** 正しい取扱いをしなければ、この危険のために時に軽傷・中程度の傷害を負ったり、あるいは物的損害を受ける恐れがあります。

●警告表示

**注意**

故障や発火の恐れがあります。  
定格電圧を越えて使用しないでください。

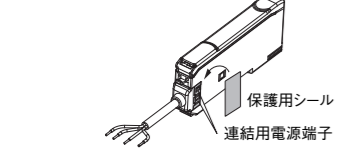
破裂の恐れがあります。  
AC電源では絶対に使用しないでください。

### 安全上の要点

- 以下に示す項目は安全を確保するうえで必要なことですので必ず守ってください。
- 引火性・爆発性ガスの環境では使用しないでください。
- 水、油、化学薬品の飛沫のある場所、蒸気のある場所では使用しないでください。
- 製品の分解・修理・改造をしないでください。
- 定格範囲を超える電圧、電流を印加しないでください。
- 定格を超える周囲雰囲気・環境では使用しないでください。
- 電源の極性など、誤配線をしないでください。
- 負荷の接続を正しく行ってください。
- 負荷の両端を短絡させないでください。
- ケースが破損した状態で使用しないでください。
- 廃棄するときは、産業廃棄物として処理してください。
- 直射日光のあたる場所では使用しないでください。

### 使用上の注意

- 下記の設置場所では使用しないでください。
  - 直射日光が当たる場所
  - 湿度が高く、結露する恐れがある場合
  - 腐食性ガスのある場所
  - 本体に直接、振動や衝撃が伝わる場所
- 電力線、動力線と本製品の配線は別配線としてください。同一配線あるいは同一ダクトにすると誘導を受け、誤動作や破損の原因となることがあります。
- コードの延長は100m以下としてください。延長には0.3mm<sup>2</sup>以上のコードをご使用ください。韓国S-mark認定品機種を認定品として使用される場合は10m未満としてください。コード部に加わる力は下記の値以下としてください。
  - 引っ張り40N以下、トルク0.1N・m以下、押圧20N以下、屈曲3kg以下
- 電源投入後、200ms以上経過後に検出が可能となります。負荷と本製品の電源が別の場合、必ず本製品の電源を先に投入してください。
- コード引き出しタイプにて連結使用時の場合は、電源を同時に投入してください。連結されたセンサ間での電源投入時間差が30ms以上の場合は、相互干渉防止機能が正常に動作しない、またモバイルコンソールが使用できない場合があります。
- 電源投入直後は使用環境に応じて受光量が安定するまで時間がかかる場合があります。
- 電源遮断時に出力パルスが発生する場合がありますので、負荷あるいは負荷ラインの電源を先行して遮断してください。
- コネクタタイプを使用される場合、感電や短絡防止のため、使用しない連結用電源端子には保護用シール(コネクタ:E3X-CNシリーズに付属)を貼ってください。



- アンプを着脱、増設するときは、必ず電源を切ってください。
- ファイバユニットをアンプユニットに固定した状態で、引っ張り、圧縮などの無理な力を加えないで下さい。(9.8N・m以内)
- モバイルコンソール形E3X-MC11-SV2はタフモードやオンディレー+オフディレータイムなどの新機能には現在対応していません。また形E3X-MC11-Sは使用できません。
- 形E3X-DA-Nとは光通信できません。形E3X-DA-S/MDAとは光通信できます。
- 保護カバーは必ず装着した状態で使用してください。
- 清掃にはシンナー、ベンジン、アセトン、灯油類は使用しないでください。

パッケージ内容の確認  
・アンプユニット 1台 ・取扱説明書(本書) 1枚

1. 定格 / 性能			
形式	NPN E3X-DA21-S	E3X-DA7-S	E3X-DA0-S
制御出力数	2	2	—
外部入力数	1	—	—
接続方式	コード引き出しタイプ	省配線コネクタタイプ *1	専用コネクタタイプ
光源 (発光波長)	赤色4元素LED (625nm)		
電源電圧	DC12~24V±10% リップル(pp)10%以下		
消費電力	通常:960mW以下(電源電圧24V時) 40mA以下、電源電圧12V時 80mA以下 省電力 ECO1:720mW以下(電源電圧24V時) 30mA以下、電源電圧12V時 60mA以下 省電力 ECO2:600mW以下(電源電圧24V時) 25mA以下、電源電圧12V時 50mA以下		
制御出力	負荷電源電圧 DC26.4V以下、 オープンコレクタ出力形(NPN/PNP出力形式によって異なります) 負荷電流 50mA以下(残留電圧 2V以下) 漏れ電流10μA以下		
外部入力	無電圧入力		
保護回路	電源逆接続保護、出力短絡保護、出力逆接続保護		
応答時間	最速モード *2 高速モード 標準モード 高精度モード タフモード	動作・復帰:各80μs 動作・復帰:各250μs 動作・復帰:各1ms 動作・復帰:各4ms 動作・復帰:各16ms	
感度設定	ティーチング(2点ティーチング / 透過ワークなしティーチング / 反射ワークなしティーチング / 最大感度設定 / 位置決めティーチング / オートマチックティーチング)またはマニュアル調整		
機能	パワージュネーティング 微分検出	投光パワー&受光ゲイン・デジタル制御方式 片側エッジ検出モード/両側エッジ検出モード 切替可能 片側エッジ:250/500μs/1/10/100ms 切替可能 両側エッジ:500μs/1/2/20/200ms 切替可能	
タイマ	タイマ機能無効 / オフディレー / オンディレー / ワンショット / オンディレー+オフディレーから選択可能 1ms~5s		
オートパワーコントロール	投光電流高速制御方式		
ATC	あり		
ゼロリセット	マイナス表示可能(しきい値もシフトします)		
設定リセット	イニシャルリセット(工場出荷時の状態)/ユーザーリセット(セーブした状態)から選択可能 10台まで *3		
相互干渉防止	10台まで *3		
エコモード	点灯表示 / 暗点灯表示 / 消灯から選択可能 *4		
出力設定	チャンネルごと出力/エリア出力 / 自己診断出力から選択可能		
入力設定	各種ティーチング / パワージュネーティング / ゼロリセット / 投光OFF / ATC開始から選択可能		
表示灯	動作表示灯1ch(橙色)、動作表示灯2ch(橙色)		
表示切替	受光量+しきい値 / 受光比率+しきい値 / ピーク受光量+ボトム受光量 / 入光時ピーク受光量+遮光時ボトム受光量 / アナログバー表示 / 受光量+ピーク時受光量 / 受光量+チャンネル番号		
デジタル表示	7セグディスプレイ(メイン表示:赤色+サブ表示:緑色) 表示方向:通常 / リバース切替可能		
使用周囲照度	受光面照度 白熱ランプ:10,000lx、太陽光:20,000lx		
周囲温度範囲	動作時:1~2台連続時:-25~+55℃、3~10台連続時:-25~+50℃、 11~16台連続時:-25~+45℃ 保存時:-30~+70℃(ただし、氷結、結露しないこと)		
周囲湿度範囲	動作時:保存時:35~85%RH(ただし、結露しないこと)		
絶縁抵抗	20MΩ以上(DC500Vメガにて)		
耐電圧	AC1,000V 50/60Hz 1min		
振動(耐久)	10~55Hz 複振幅1.5mm X、Y、Z各方向2h	10~150Hz、複振幅0.7mm(max 50m/s <sup>2</sup> まで) X、Y、Z各方向80min	
衝撃(耐久)	500m/s <sup>2</sup>	X、Y、Z各方向3回	200m/s <sup>2</sup>
保護構造	IEC60529規格IP50(保護カバー装着時)		
質量(梱包状態)	約100g	約55g	約55g
材質	ケース カバー	ポリプロピレンテフトラート ポリカーボネート	

表示切替

デジタル表示

周囲温度範囲

周囲湿度範囲

絶縁抵抗

耐電圧

振動(耐久)

衝撃(耐久)

保護構造

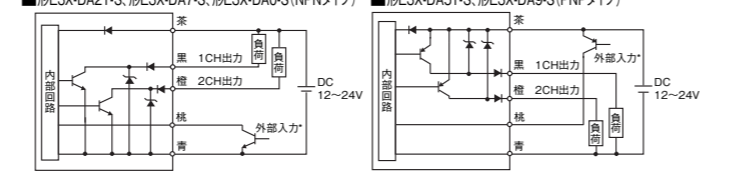
質量(梱包状態)

材質

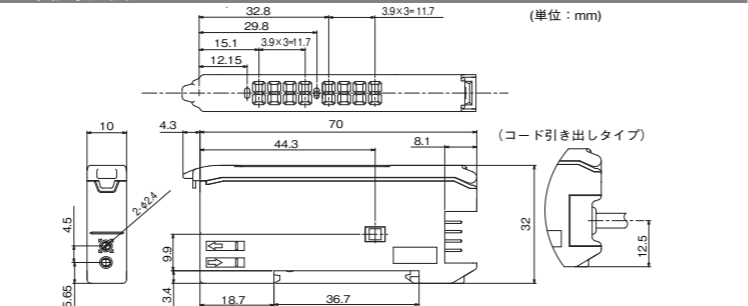
■形E3X-DA21-S、形E3X-DA7-S、形E3X-DA0-S(NPNタイプ) ■形E3X-DA51-S、形E3X-DA9-S(PNPタイプ)

\*1:E3X-CN21(縦コネクタ4芯)、E3X-CN22(子コネクタ2芯)どちらのコネクタでも使用できます。  
\*2:検出機能を最速モードに選択した場合は、通信機能、相互干渉防止機能は無効となります。  
\*3:パワージュネーティングを有効にした場合は、相互干渉防止台数は6台までとなります。  
\*4:エコモード有効時、定格検出距離は約1/2、受光量は約1/3になります。

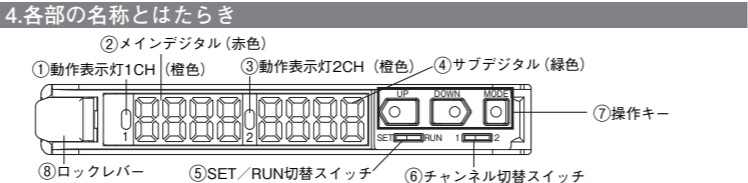
### 2. 入出力段回路図



### 3. 外形寸法図



### 4. 各部の名称とはたらき



- 1CHの出力がONしたときに点灯します。
- 受光量や機能名称、受光変化量を表示します。
- 2CHの出力がONしたときに点灯します。
- しきい値やメインデジタルに表示している機能の設定値、しきい値比率を表示します。
- モードの切替を行います。

モード	内容
SET	各種設定やティーチング時に選択します。
RUN	稼働時やしきい値調整、各種実行時に選択します。

- 表示や設定を行うチャンネルを選びます。
- 表示の切替えや機能の設定操作を行います。

キーの種類	キーのはたらき	
	RUNモード	SETモード
UPキー ▲	しきい値、しきい値比率を上げます。	設定内容によってはたらきが変わります。 ・ティーチング実行 ・設定値の変更(順方向)
DOWNキー ▼	しきい値、しきい値比率を下げます。	設定内容によってはたらきが変わります。 ・ティーチング実行 ・設定値の変更(逆方向)
MODEキー □	「MODEキー設定」によって各種実行します。	設定したい機能の表示を切替えます。

⑥ファイバユニットを着脱するときに使います。

### 5. アンプユニットの設置

■取付け  
ファイバユニット挿入部側のツメをレールにかけて、フックがロックするまで押し込みます。

必ずファイバユニット挿入部側をレールにかけて取付けてください。  
逆に取付けると取付け強度が低下します。

■取外し  
1)の方向に押しつけたままファイバユニット挿入部を2)の方向へ持ち上げます。

■連結して使用する場合(コネクタタイプの場合)  
16台まで連結することができます。

- 1.アンプユニットをそれぞれDINレールに取付けます。
- 2.アンプユニットをスライドさせ、カチッと音がするまでコネクタを差し込みます。

振動などで連結部が離れる場合は、別売のエンドプレート(形PPP-M)で固定してください。

取外しは逆の順番で行ってください。  
必ずアンプユニットの連結を外してからDINレールから取外してください。

### 6. ファイバユニットの取付け

- 保護カバーを開けます
- ロックレバーを起こします。
- ファイバユニット挿入口にファイバを確実に奥まで差し込みます。
- ロックレバーをもとの方向に戻して、ファイバユニットを固定します。

### 7. 基本設定

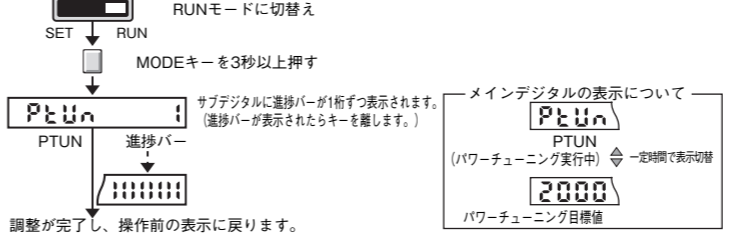
- 動作モードを設定する  
入光時にONするか遮光時にONするかを選びます。  
SETモードの「動作モード」で設定します。「8.詳細設定」参照

選択肢	内容
LON(ライトオン)	入光時に出力がONします。「検出機能」に「DIFF」(微分動作)を設定している場合はエッジ検出時出力がONします。
DON(ダークオン)	遮光時に出力がONします。「検出機能」に「DIFF」(微分動作)を設定している場合はエッジ検出時出力がOFFします。

### 2. パワーを調整する(必要に応じて): パワージュネーティング

現在検出中の受光量を「パワージュネーティング目標値(2000:工場出荷時設定)」近くに調整したいときに行う操作です。パワージュネーティングは必ず検出物体とヘッドを固定して、受光量が安定している状態で実行してください。

■設定方法  
あらかじめ、「MODEキー設定」機能の設定が「PTUN」(パワージュネーティング)になっていることを確認してください。



調整が完了、操作前の表示に戻ります。

「パワージュネーティング目標値」は変更することができます。「8.詳細設定」参照

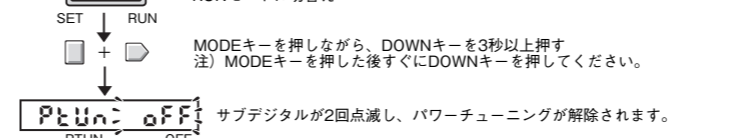
「検出機能」に「SHS」を設定している場合、「パワージュネーティング目標値」は無効となり最小パワーに設定されます。

検出機能を切り替えると、受光量が変化することがありますので、その場合は検出機能切り替え後に再度パワージュネーティングを実行してください。

●パワージュネーティングエラー  
進捗バー表示後、以下の内容が表示された場合は、エラーが発生しています。

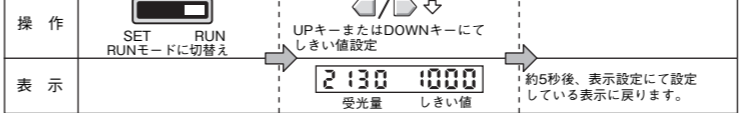
2回点滅 PtUn<power>	オーバーエラー パワージュネーティング目標値に対して現在の受光量が小さすぎたためのエラー。パワーは調整されません。パワーを上げることができるのは、パワージュネーティングを設定していない状態の受光量から約5倍までです。
2回点滅 PtUn<botm>	ボトムエラー パワージュネーティング目標値に対して現在の受光量が大きすぎたためのエラー。最小パワーで調整されます。パワーを下げることはできません、パワージュネーティングを設定していない状態の受光量から約1/20までです。

### ■解除方法

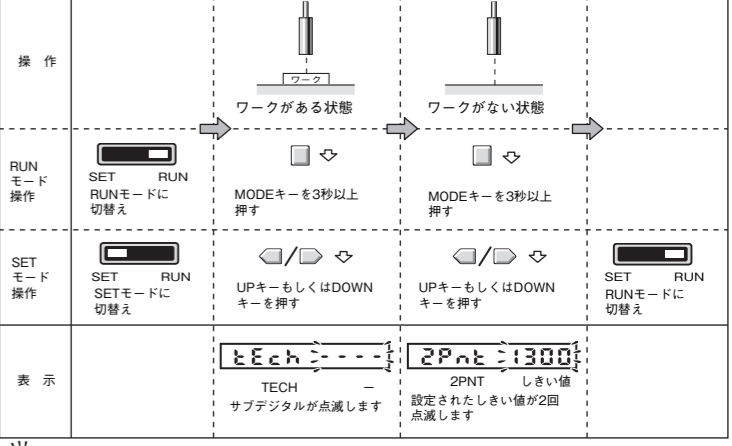


### 3. しきい値を設定する

- 1) マニュアル設定  
しきい値を手動で設定します。

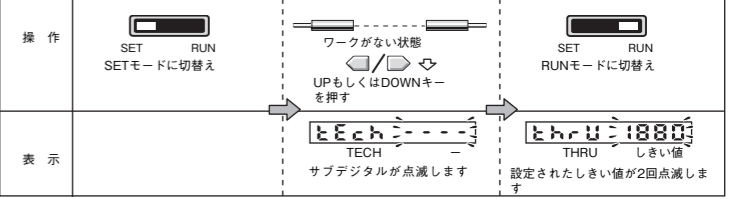


- 2) ティーチング設定  
①2点ティーチング  
ワークありとワークなしの2点をそれぞれ検出し、その中間値の光量をしきい値として設定します。  
RUNモード、SETモードいずれのモードでも設定できます。  
RUNモードにて設定する場合、あらかじめ、「MODEキー設定」機能の設定が「2PNT」になっていることを確認してください。

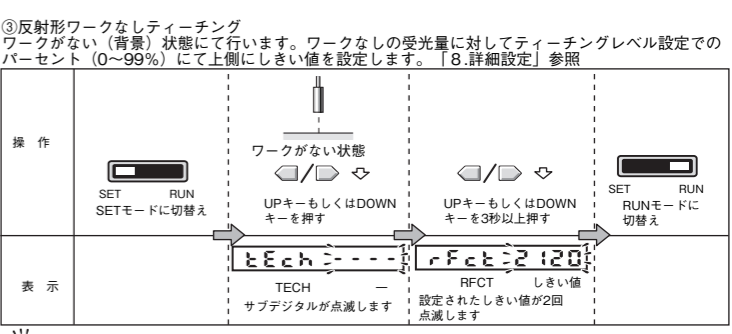


「検出機能」に「DIFF」(微分動作)を設定している場合、ワークありとワークなしの2点の受光量の差の半分をしきい値とします。

- ②透過形ワークなしティーチング  
ワークがない状態にて行います。ワークなしの受光量に対してティーチングレベル設定でのパーセント(0~99%)にて下側にしきい値を設定します。「8.詳細設定」参照

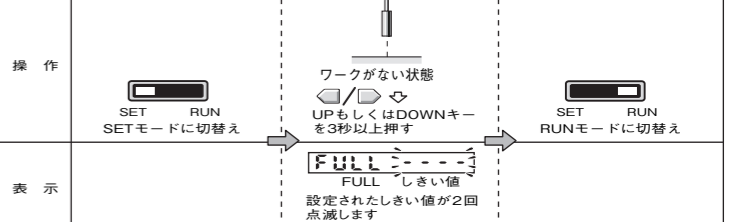


- ③反射形ワークなしティーチング  
ワークがない(背景)状態にて行います。ワークなしの受光量に対してティーチングレベル設定でのパーセント(0~99%)にて上側にしきい値を設定します。「8.詳細設定」参照



「検出機能」に「DIFF」(微分動作)を設定している場合、ワークなし状態の受光量に対して安定して検出できる最小の位置にしきい値が設定されます。

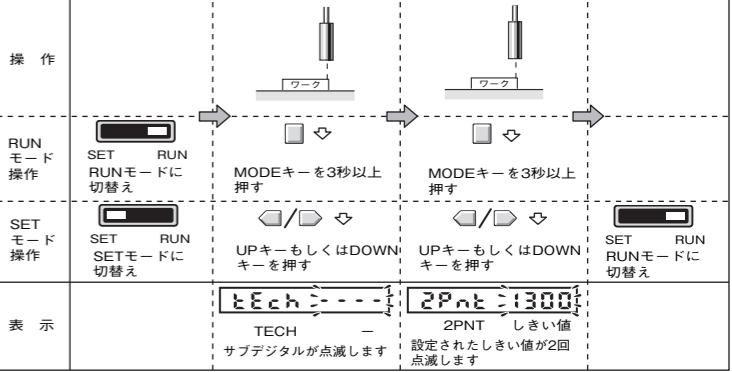
- ④最大感度設定  
最大感度でしきい値を設定します。検出距離を最も長くしたい場合に便利な方法です。



必ずワークがない状態にて実施ください。設定される値は、「検出機能」や「パワージュネーティング」の設定内容によって変わります。

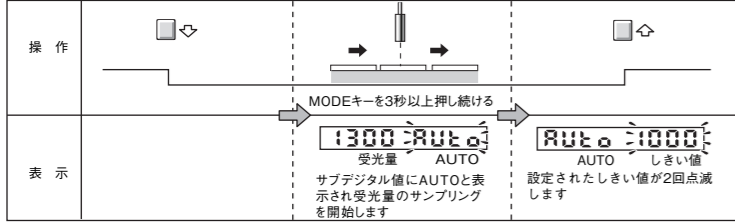
「検出機能」に「DIFF」(微分動作)を設定している場合、この方法を使ったしきい値の設定はできません。

- ⑤位置決めティーチング  
ワークを位置決めしたい位置に置いて行います。





⑥オートマティクティーチング (移動ワークにて設定)  
 キーを押し続けている間の受光量の最大と最小の中間をしきい値として設定します。あらかじめ、「MODEキー設定」機能の設定が[AUTO]になっていることを確認してください。

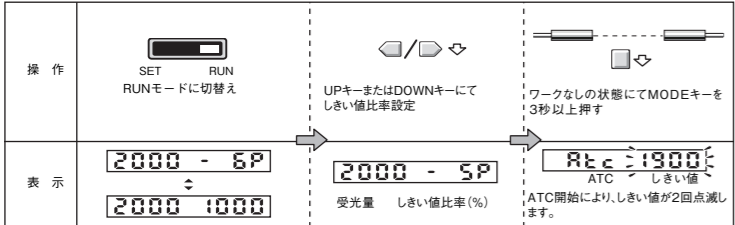


「検出機能」に[DIFF] (微分動作) が選択されている場合、オートマティクティーチングは無効となります。

■ティーチングエラー  
 ティーチングを実行後、サブデジタル表示に下記が表示された場合はエラーが発生しています。以下を参考にして対処ください。

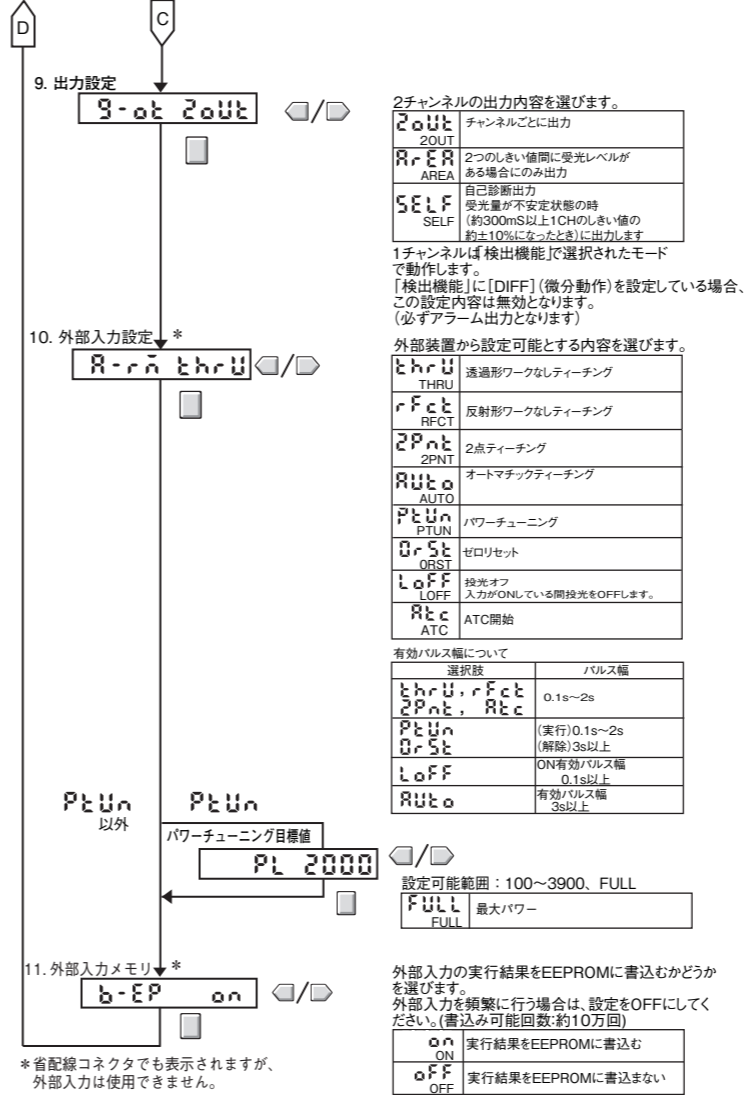
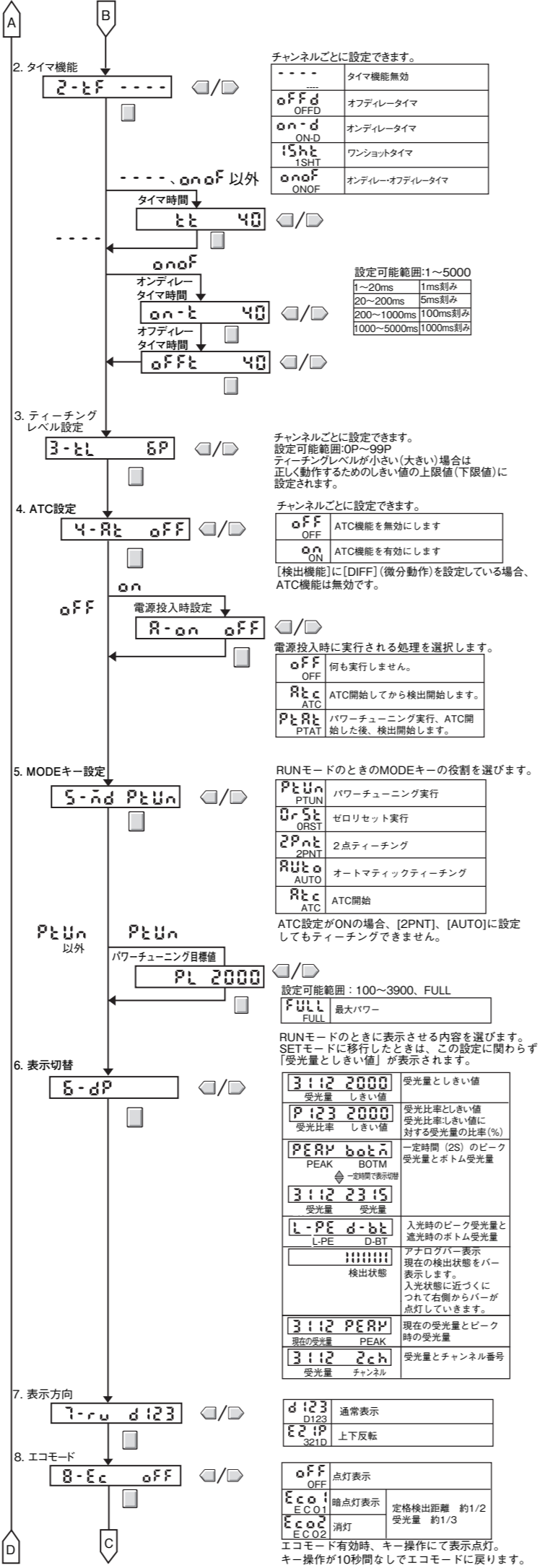
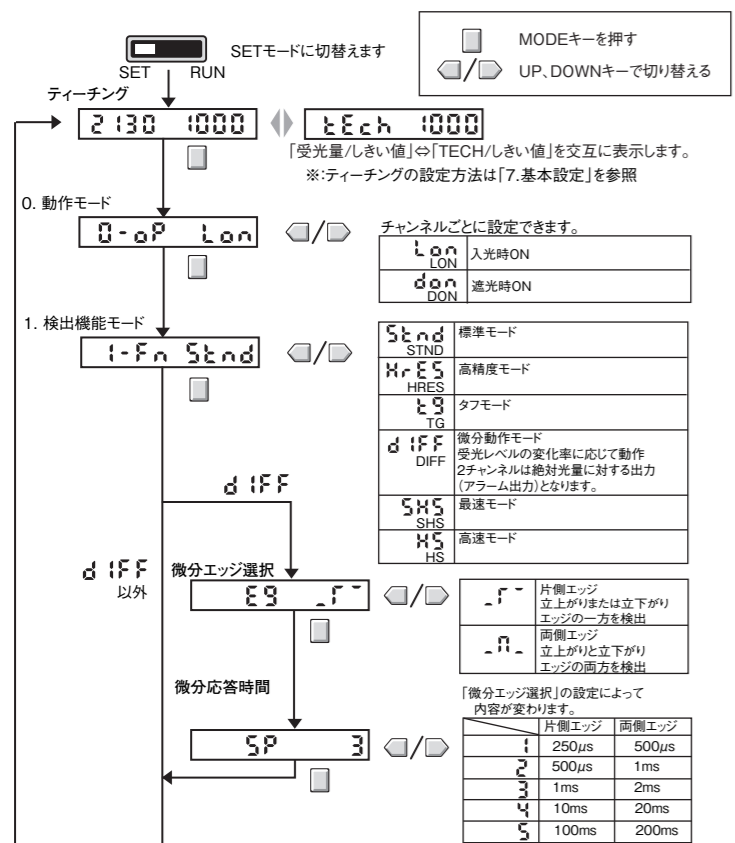
	<b>OVERエラー</b> 受光量が大きすぎます。 ・パワーチューニングを実行し受光量を小さくした後、再度ティーチングを実行ください。 ・受光量が小さくなるようにファイバユニットを設定後、再度ティーチングを実行ください。
	<b>LOWエラー</b> 受光量が小さすぎます。 ・より応答速度が遅い検出機能に設定後、再度ティーチングを実行ください。 ・受光量が大きくなるようにファイバユニットを設定後、再度ティーチングを実行ください。

■ATC機能がON (有効) の場合  
 しきい値比率を調節、もしくはATC開始することにより、しきい値が現在の光量に約3秒毎に更新されます。あらかじめ、「MODEキー設定」機能の設定が[ATC] になっていることを確認してください。

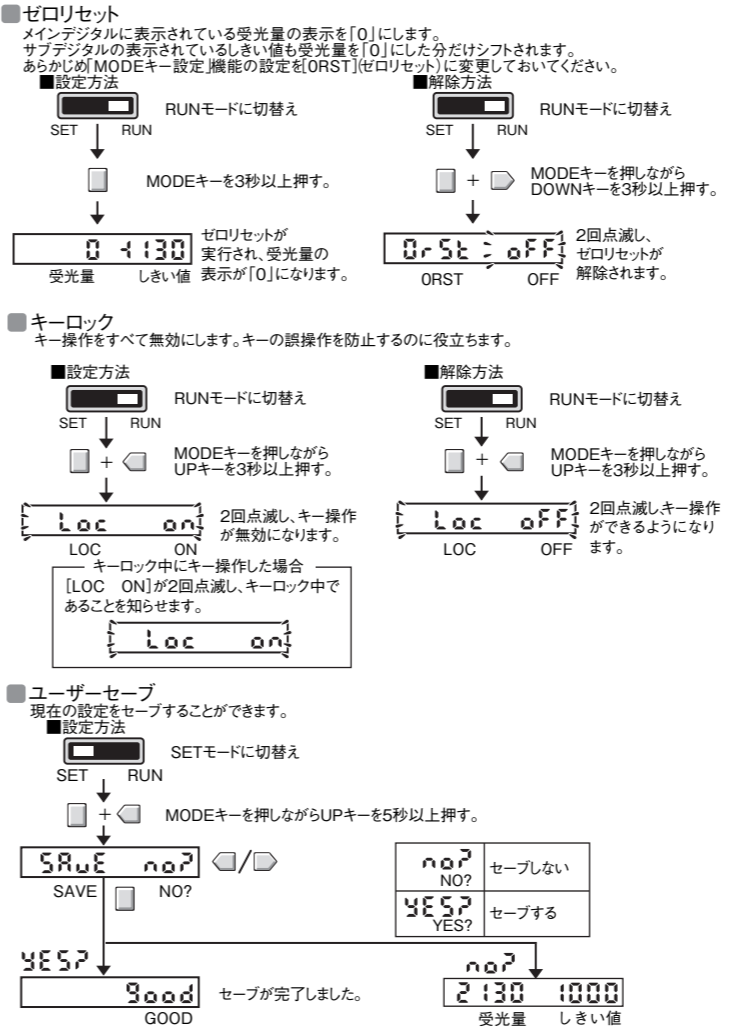


## 8.詳細設定

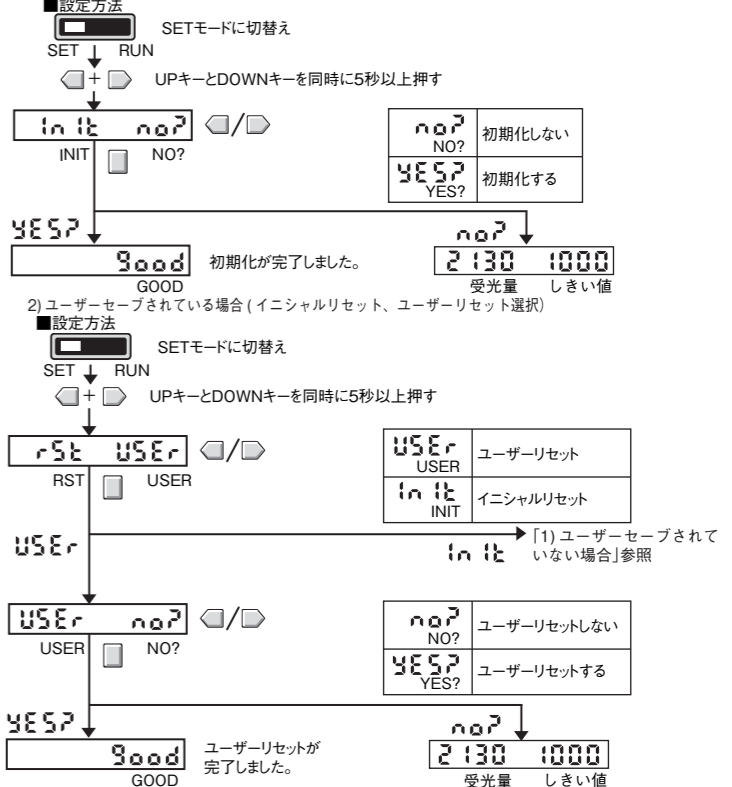
SETモードでは以下の機能設定ができます。  
 機能遷移に表示している内容は、工場出荷時の内容です。  
 「動作モード」「検出モード」「タイマ機能」「ティーチングレベル設定」「ATC設定」以外はチャンネル共通の設定となります。  
 \*：しきい値、受光量、比率など数値の表示内容は一例であり、実際の表示とは異なります。



## 9.便利な機能



■インシヤルリセット、ユーザーリセット  
 インシヤルリセット:設定内容をユーザーセーブデータ以外すべて初期化し、工場出荷時の状態に戻します。  
 ユーザーリセット:セーブした状態に戻します。  
 1)ユーザーセーブされていない場合(インシヤルリセットのみ)



## 10.エラー表示

各種エラーが発生した場合、メインデジタルやサブデジタルに以下のようなメッセージが点滅表示されます。以下を参考にして対処ください。

	<b>制御出力に過電流が流れている</b> 負荷を確認して定格内してください。 負荷が短絡していないか確認してください。
	<b>EEPROM エラー</b> 設定初期化 (インシヤルリセット) を実行ください。

## ご使用に際してのご承諾事項

- 安全を確保する目的で直接的または間接的に人体を検出する用途に、本製品を使用しないでください。同用途には、当社センサカタログに掲載している安全センサをご使用ください。
  - 下記用途に使用される場合、当社営業担当までご相談のうえ仕様書などによりご確認いただくとともに、定格・性能に対し余裕を持った使い方や、万一故障があっても危険を最小にする安全回路などの安全対策を講じてください。
    - 屋外の用途、潜在的な化学的汚染あるいは電氣的妨害を被る用途またはカタログ、取扱説明書等に記載のない条件や環境での使用
    - 原子力制御設備、焼却設備、鉄道・航空・車両設備、医用機械、娯楽機械、安全装置、および行政機関や個別業界の規制に従う設備
    - 人命や財産に危険が及ぶうるシステム・機械・装置
    - ガス、水道、電気の供給システムや24時間連続運転システムなどの高い信頼性が必要な設備
    - その他、上記 a) ~ d) に準ずる、高度な安全性が必要とされる用途
- \*上記は適合用途の条件の一部です。当社のベスト、総合カタログ・データシート等最新版のカタログ、マニュアルに記載の保証・免責事項の内容をよく読んでご使用ください。

## オムロン株式会社 インダストリアルオートメーションビジネスカンパニー

●お問い合わせ先  
 カスタマサポートセンタ  
 フリーコール **0120-919-066**  
 携帯電話・PHSなどではご利用いただけませんので、その場合は下記電話番号へおかけください。  
 電話 **055-982-5015** (通話料がかかります)  
 [技術のお問い合わせ時間]  
 ■営業時間:8:00~21:00  
 ■営業日:365日  
 ■上記フリーコール以外のセンシング機器の技術窓口:  
 電話 **055-982-5002** (通話料がかかります)  
 [営業のお問い合わせ時間]  
 ■営業時間:9:00~12:00 / 13:00~17:30 (土・日・祝祭日は休業)  
 ■営業日:土・日・祝祭日 / 春期・夏期・年末年始休暇を除く

●FAXによるお問い合わせは下記をご利用ください。  
 カスタマサポートセンタ お客様相談室 FAX 055-982-5051

●その他のお問い合わせ先  
 納期・価格・修理・サンプル・仕様書は貴社のお取引先、または貴社担当オムロン営業員にご相談ください。