

ID Controller

V600-CA5D02



New Compact and Slim ID Controller

- Compact and slim body of 65 × 105 × 90 mm (D × W × H).
- Identical commands as the present V600-CA1A/CA2A Controllers.
- Two Antennas can be connected.
- RS-232C, RS-422, and RS-485 communications in one Unit.
- New functions for ease of use:
 - Direct connection with a computer from a USB port (USB1.1).
 - Monitor display (LED) for RUN, communications status, and end code.
- Compliant with CE and UL/CSA safety standards and the RoHS Directive.



Ordering Information

Model	Name
V600-CA5D02	ID Controller

Note. An external I/O connector and RS-422/RS-485 connector are included with the V600-CA5D02.

Ratings and Specifications

Item	Specification
Power supply voltage (power consumption)	24 VDC (-15% to 10%) (See note 1.) (15 W max.)
Ambient operating temperature	-10 to 55°C
Ambient operating humidity	25% to 85%
Ambient storage temperature	-25 to 65°C
Ambient storage humidity	25% to 85%
Insulation resistance	Between power supply terminals and GR/case } Between GR and terminals } 20 MΩ min. (at 500 VDC)
Dielectric strength	For all combinations given above: 1,000 VAC 50/60 Hz for 1 minute, leakage current: 10 mA max.
Vibration resistance	10 to 150 Hz with 0.2 mm double amplitude and 15-m/s ² maximum acceleration, 10 sweeps of 8 minutes each in three directions
Shock resistance	150 m/s ²
Dimensions	105 × 90 × 65 mm (excluding protrusions)
Degree of protection	In-panel (equivalent to IP20)
Materials	PC + ABS
Weight	Approx. 300 g
Installation method	DIN Rail or M4 screws
Read/Write Head Connections	2 channels

Note 1. Recommended Power Supply: S8VS-03024 or S82K-03024

2. For details, refer to the user's manual (Cat. No. Z239).

Communications Specifications

Item	Specification	
	RS-232C	RS-422/RS-485
Connector specifications	9-pin D-Sub connector, socket lock screws: M2.6	5-pin connector manufactured by Phoenix Contact MC1.5/5GF-3.5
Communications method	Half-duplex serial communications	4/2-wire half-duplex serial communications
Baud rate	38400, 19200, 9600, 4800, 2400, or 1200 bps	
Data length	7 or 8 bits	
Stop bits	1 or 2 bits	
Error detection	Parity (even, odd, or none)	
Cable length	15 m max.	Total length: 500 m max.

I/O Specifications

Input Specifications (RST, TRG/IN1, and TRG/IN2)

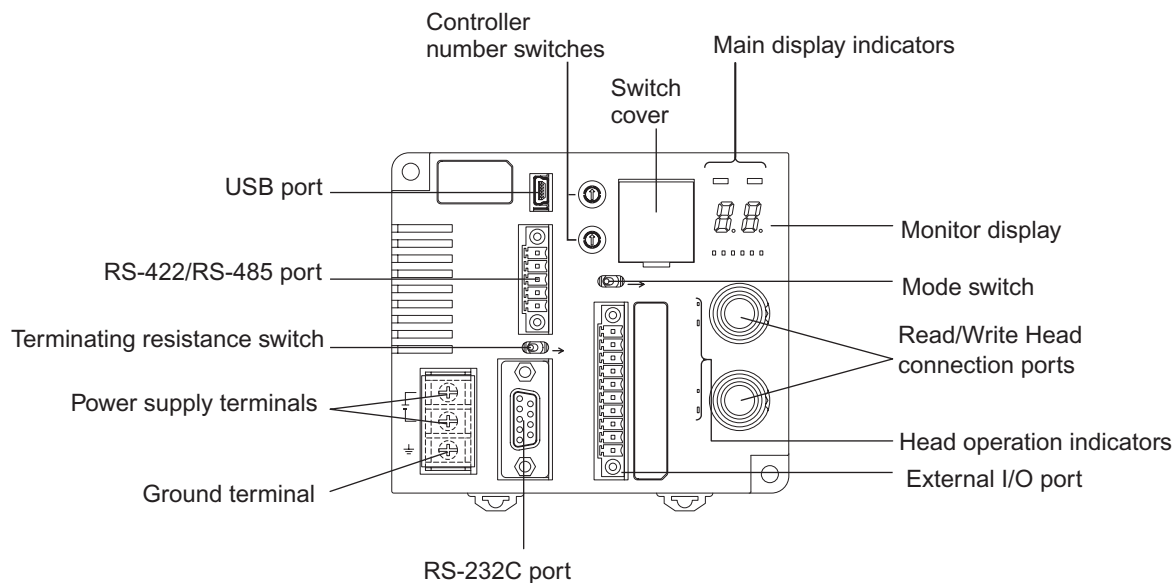
Input voltage	24 VDC +10% (including ripple)/-15% (PNP or NPN)
Input impedance	2.2 kΩ
Input current	10 mA typical (24 VDC)
ON voltage	19 V min.
OFF voltage	5 V max.
I/O response time	70 ms max.

Output Specifications (RUN, BUSY, ERROR, OUT1, and OUT2)

Maximum switching capacity	24 VDC +10% (including ripple)/-15% 100 mA photo MOS outputs (PNP or NPN)
Leakage current	100 μA max.
Residual voltage	2.0 V max.

- Note 1.** The CPU will stop operation and the RST indicator will light when the RST input is turned ON.
- 2.** The transistor may be damaged if an output is shorted with no load connected.

Names and Functions of Components



USB Port

The V600-CA5D02 ID Controller can be directly connected to a computer. All commands supported by the V600-CA5D02 can be used, but the USB port is not suitable for control applications. Therefore, for control applications, always use RS-232C/RS485 communications.

The USB port is USB 1.1-compliant. Prepare a suitable cable (series A and mini USB series B connectors). If communications are performed with a computer via USB, a special driver is required. For details, contact your OMRON representative. For connections to the host devices, communications will be 1:1 regardless of the DIP switch setting of pin 9 of DIP switch SW3 on the V600-CA5D02.

Main Display Indicators

Name	Color	Description
RUN/RST	Green	Lights when the ID Controller is operating normally.
	Red	Lights when the external reset input is received.
COMM	Green	Lights when communicating normally with the host device.
	Red	Lights when an error has been detected in communications with the host device.

Head Operation Indicators

Name	Color	Description
COMM1	Yellow	Lights when a communications command for a Data Carrier is being processed for Read/Write Head 1.
NORM1/ERR1	Green	Lights once when processing for Read/Write Head 1 has ended normally.
	Red	Lights once when processing for Read/Write Head 1 has ended in error.
COMM2	Yellow	Lights when a communications command for a Data Carrier is being processed for Read/Write Head 2.
NORM2/ERR2	Green	Lights once when processing for Read/Write Head 2 has ended normally.
	Red	Lights once when processing for Read/Write Head 2 has ended in error.

Monitor Display

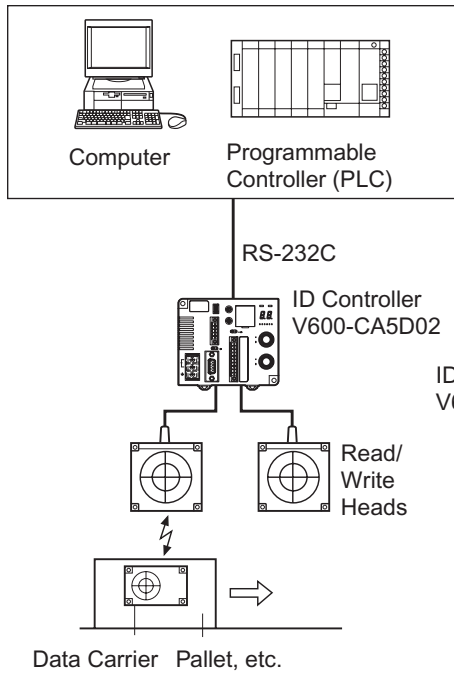
Name	Color	Mode	Description
7-segment display (2 digits)	Red	RUN mode, end code display	The end code is displayed.
		RUN mode, I/O display	User I/O status is displayed.
		MAINTENANCE mode	The end code is displayed.

System Configuration

All V600-series Read/Write Heads and Data Carriers can be used with V600-CA5D02.

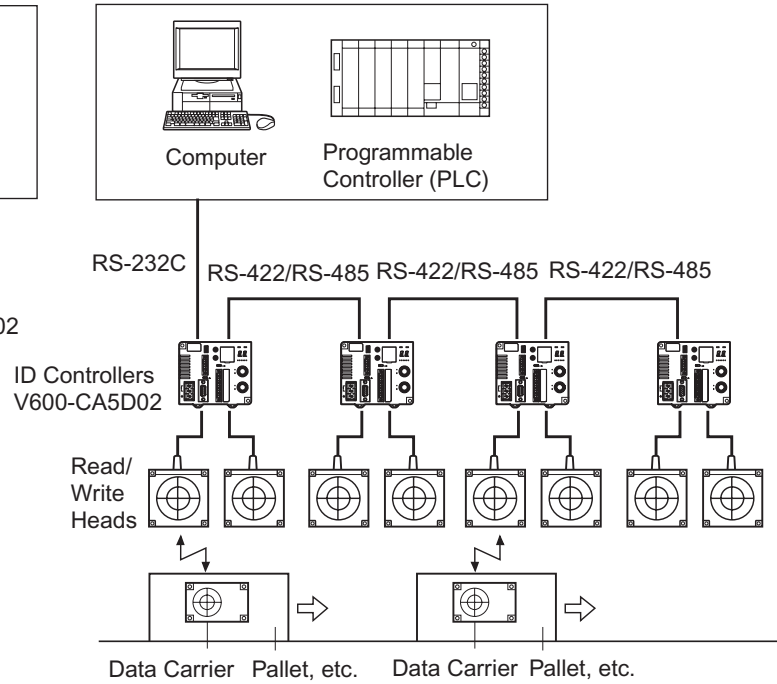
1:1 Connections

The host device is connected via RS-232C.



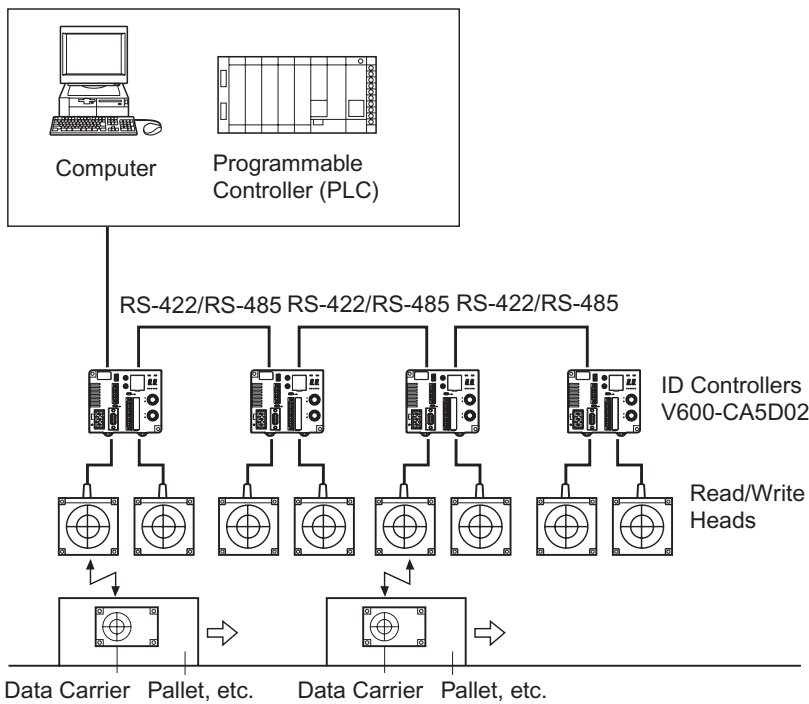
1:N Connections with RS-232C Host Device Connection

The host device is connected via RS-232C.



1:N Connections with RS-422/RS485 Host Device Connection

The host device is connected via RS-422 or RS-485 and then other ID Controllers are connected via RS-422/RS-485.

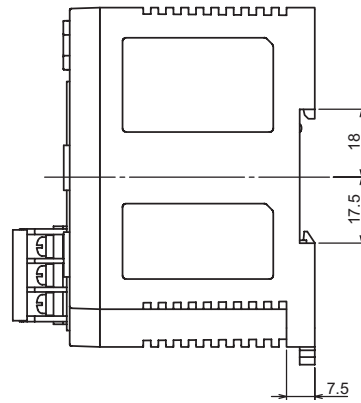
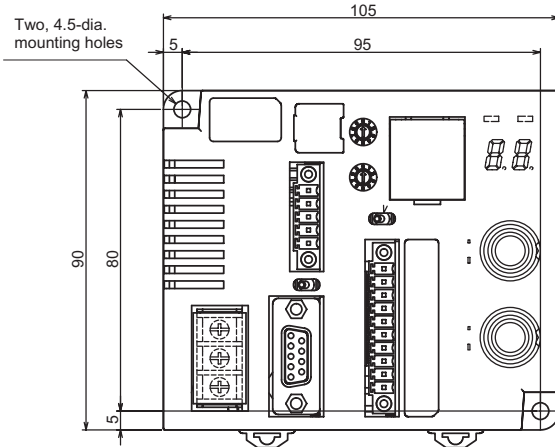
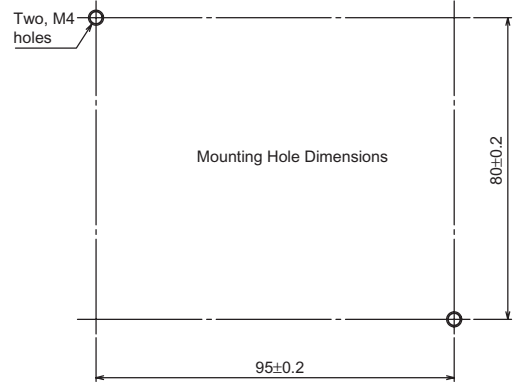
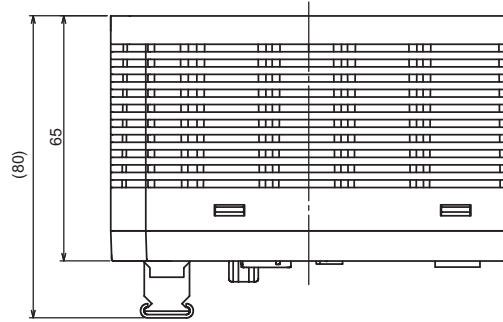


Note. For details, refer to the user's manual (Cat. No. Z239).

Dimensions

(Unit: mm)

V600-CA5D02



This document provides information mainly for selecting suitable models. Please read the User's Manual (Z239) carefully for information that the user must understand and accept before purchase, including information on warranty, limitations of liability, and precautions.

ALL DIMENSIONS SHOWN ARE IN MILLIMETERS.
 To convert millimeters into inches, multiply by 0.03937. To convert grams into ounces, multiply by 0.03527.

In the interest of product improvement, specifications are subject to change without notice.

Terms and Conditions of Sale

- Offer; Acceptance.** These terms and conditions (these "Terms") are deemed part of all quotes, agreements, purchase orders, acknowledgments, price lists, catalogs, manuals, brochures and other documents, whether electronic or in writing, relating to the sale of products or services (collectively, the "Products") by Omron Electronics LLC and its subsidiary companies ("Omron"). Omron objects to any terms or conditions proposed in Buyer's purchase order or other documents which are inconsistent with, or in addition to, these Terms.
- Prices; Payment Terms.** All prices stated are current, subject to change without notice by Omron. Omron reserves the right to increase or decrease prices on any unshipped portions of outstanding orders. Payments for Products are due net 30 days unless otherwise stated in the invoice.
- Discounts.** Cash discounts, if any, will apply only on the net amount of invoices sent to Buyer after deducting transportation charges, taxes and duties, and will be allowed only if (i) the invoice is paid according to Omron's payment terms and (ii) Buyer has no past due amounts.
- Interest.** Omron, at its option, may charge Buyer 1-1/2% interest per month or the maximum legal rate, whichever is less, on any balance not paid within the stated terms.
- Orders.** Omron will accept no order less than \$200 net billing.
- Governmental Approvals.** Buyer shall be responsible for, and shall bear all costs involved in, obtaining any government approvals required for the importation or sale of the Products.
- Taxes.** All taxes, duties and other governmental charges (other than general real property and income taxes), including any interest or penalties thereon, imposed directly or indirectly on Omron or required to be collected directly or indirectly by Omron for the manufacture, production, sale, delivery, importation, consumption or use of the Products sold hereunder (including customs duties and sales, excise, use, turnover and license taxes) shall be charged to and remitted by Buyer to Omron.
- Financial.** If the financial position of Buyer at any time becomes unsatisfactory to Omron, Omron reserves the right to stop shipments or require satisfactory security or payment in advance. If Buyer fails to make payment or otherwise comply with these Terms or any related agreement, Omron may (without liability and in addition to other remedies) cancel any unshipped portion of Products sold hereunder and stop any Products in transit until Buyer pays all amounts, including amounts payable hereunder, whether or not then due, which are owing to it by Buyer. Buyer shall in any event remain liable for all unpaid accounts.
- Cancellation; Etc.** Orders are not subject to rescheduling or cancellation unless Buyer indemnifies Omron against all related costs or expenses.
- Force Majeure.** Omron shall not be liable for any delay or failure in delivery resulting from causes beyond its control, including earthquakes, fires, floods, strikes or other labor disputes, shortage of labor or materials, accidents to machinery, acts of sabotage, riots, delay in or lack of transportation or the requirements of any government authority.
- Shipping; Delivery.** Unless otherwise expressly agreed in writing by Omron:
 - Shipments shall be by a carrier selected by Omron; Omron will not drop ship except in "break down" situations.
 - Such carrier shall act as the agent of Buyer and delivery to such carrier shall constitute delivery to Buyer;
 - All sales and shipments of Products shall be FOB shipping point (unless otherwise stated in writing by Omron), at which point title and risk of loss shall pass from Omron to Buyer; provided that Omron shall retain a security interest in the Products until the full purchase price is paid;
 - Delivery and shipping dates are estimates only; and
 - Omron will package Products as it deems proper for protection against normal handling and extra charges apply to special conditions.
- Claims.** Any claim by Buyer against Omron for shortage or damage to the Products occurring before delivery to the carrier must be presented in writing to Omron within 30 days of receipt of shipment and include the original transportation bill signed by the carrier noting that the carrier received the Products from Omron in the condition claimed.
- Warranties.** (a) **Exclusive Warranty.** Omron's exclusive warranty is that the Products will be free from defects in materials and workmanship for a period of twelve months from the date of sale by Omron (or such other period expressed in writing by Omron). Omron disclaims all other warranties, express or implied. (b) **Limitations.** OMRON MAKES NO WARRANTY OR REPRESENTATION, EXPRESS OR IMPLIED, ABOUT NON-INFRINGEMENT, MERCHANTABILITY OR FITNESS FOR A PARTICULAR PURPOSE OF THE PRODUCTS. BUYER ACKNOWLEDGES THAT IT ALONE HAS DETERMINED THAT THE PRODUCTS WILL SUITABLY MEET THE REQUIREMENTS OF THEIR INTENDED USE. Omron further disclaims all warranties and responsibility of any type for claims or expenses based on infringement by the Products or otherwise of any intellectual property right. (c) **Buyer Remedy.** Omron's sole obligation hereunder shall be, at Omron's election, to (i) replace (in the form originally shipped with Buyer responsible for labor charges for removal or replacement thereof) the non-complying Product, (ii) repair the non-complying Product, or (iii) repay or credit Buyer an amount equal to the purchase price of the non-complying Product; provided that in no event shall Omron be responsible for warranty, repair, indemnity or any other claims or expenses regarding the Products unless Omron's analysis confirms that the Products were properly handled, stored, installed and maintained and not subject to contamination, abuse, misuse or inappropriate modification. Return of any Products by Buyer must be approved in writing by Omron before shipment. Omron Companies shall not be liable for the suitability or unsuitability or the results from the use of Products in combination with any electrical or electronic components, circuits, system assemblies or any other materials or substances or environments. Any advice, recommendations or information given orally or in writing, are not to be construed as an amendment or addition to the above warranty. See <http://oeweb.omron.com> or contact your Omron representative for published information.
- Limitation on Liability; Etc.** OMRON COMPANIES SHALL NOT BE LIABLE FOR SPECIAL, INDIRECT, INCIDENTAL, OR CONSEQUENTIAL DAMAGES, LOSS OF PROFITS OR PRODUCTION OR COMMERCIAL LOSS IN ANY WAY CONNECTED WITH THE PRODUCTS, WHETHER SUCH CLAIM IS BASED IN CONTRACT, WARRANTY, NEGLIGENCE OR STRICT LIABILITY. Further, in no event shall liability of Omron Companies exceed the individual price of the Product on which liability is asserted.
- Indemnities.** Buyer shall indemnify and hold harmless Omron Companies and their employees from and against all liabilities, losses, claims, costs and expenses (including attorney's fees and expenses) related to any claim, investigation, litigation or proceeding (whether or not Omron is a party) which arises or is alleged to arise from Buyer's acts or omissions under these Terms or in any way with respect to the Products. Without limiting the foregoing, Buyer (at its own expense) shall indemnify and hold harmless Omron and defend or settle any action brought against such Companies to the extent based on a claim that any Product made to Buyer specifications infringed intellectual property rights of another party.
- Property; Confidentiality.** Any intellectual property in the Products is the exclusive property of Omron Companies and Buyer shall not attempt to duplicate it in any way without the written permission of Omron. Notwithstanding any charges to Buyer for engineering or tooling, all engineering and tooling shall remain the exclusive property of Omron. All information and materials supplied by Omron to Buyer relating to the Products are confidential and proprietary, and Buyer shall limit distribution thereof to its trusted employees and strictly prevent disclosure to any third party.
- Export Controls.** Buyer shall comply with all applicable laws, regulations and licenses regarding (i) export of products or information; (ii) sale of products to "forbidden" or other proscribed persons; and (iii) disclosure to non-citizens of regulated technology or information.
- Miscellaneous.** (a) **Waiver.** No failure or delay by Omron in exercising any right and no course of dealing between Buyer and Omron shall operate as a waiver of rights by Omron. (b) **Assignment.** Buyer may not assign its rights hereunder without Omron's written consent. (c) **Law.** These Terms are governed by the law of the jurisdiction of the home office of the Omron company from which Buyer is purchasing the Products (without regard to conflict of law principles). (d) **Amendment.** These Terms constitute the entire agreement between Buyer and Omron relating to the Products, and no provision may be changed or waived unless in writing signed by the parties. (e) **Severability.** If any provision hereof is rendered ineffective or invalid, such provision shall not invalidate any other provision. (f) **Setoff.** Buyer shall have no right to set off any amounts against the amount owing in respect of this invoice. (g) **Definitions.** As used herein, "including" means "including without limitation"; and "Omron Companies" (or similar words) mean Omron Corporation and any direct or indirect subsidiary or affiliate thereof.

Certain Precautions on Specifications and Use

- Suitability of Use.** Omron Companies shall not be responsible for conformity with any standards, codes or regulations which apply to the combination of the Product in the Buyer's application or use of the Product. At Buyer's request, Omron will provide applicable third party certification documents identifying ratings and limitations of use which apply to the Product. This information by itself is not sufficient for a complete determination of the suitability of the Product in combination with the end product, machine, system, or other application or use. Buyer shall be solely responsible for determining appropriateness of the particular Product with respect to Buyer's application, product or system. Buyer shall take application responsibility in all cases but the following is a non-exhaustive list of applications for which particular attention must be given:
 - Outdoor use, uses involving potential chemical contamination or electrical interference, or conditions or uses not described in this document.
 - Use in consumer products or any use in significant quantities.
 - Energy control systems, combustion systems, railroad systems, aviation systems, medical equipment, amusement machines, vehicles, safety equipment, and installations subject to separate industry or government regulations.
 - Systems, machines and equipment that could present a risk to life or property. Please know and observe all prohibitions of use applicable to this Product.

NEVER USE THE PRODUCT FOR AN APPLICATION INVOLVING SERIOUS RISK TO LIFE OR PROPERTY OR IN LARGE QUANTITIES WITHOUT ENSURING THAT THE SYSTEM AS A WHOLE HAS BEEN DESIGNED TO ADDRESS THE RISKS, AND THAT THE OMRON'S PRODUCT IS PROPERLY RATED AND INSTALLED FOR THE INTENDED USE WITHIN THE OVERALL EQUIPMENT OR SYSTEM.
- Programmable Products.** Omron Companies shall not be responsible for the user's programming of a programmable Product, or any consequence thereof.
- Performance Data.** Data presented in Omron Company websites, catalogs and other materials is provided as a guide for the user in determining suitability and does not constitute a warranty. It may represent the result of Omron's test conditions, and the user must correlate it to actual application requirements. Actual performance is subject to the Omron's Warranty and Limitations of Liability.
- Change in Specifications.** Product specifications and accessories may be changed at any time based on improvements and other reasons. It is our practice to change part numbers when published ratings or features are changed, or when significant construction changes are made. However, some specifications of the Product may be changed without any notice. When in doubt, special part numbers may be assigned to fix or establish key specifications for your application. Please consult with your Omron's representative at any time to confirm actual specifications of purchased Product.
- Errors and Omissions.** Information presented by Omron Companies has been checked and is believed to be accurate; however, no responsibility is assumed for clerical, typographical or proofreading errors or omissions.

Complete "Terms and Conditions of Sale" for product purchase and use are on Omron's website at www.omron.com/oei – under the "About Us" tab, in the Legal Matters section.

ALL DIMENSIONS SHOWN ARE IN MILLIMETERS.

To convert millimeters into inches, multiply by 0.03937. To convert grams into ounces, multiply by 0.03527.

OMRON[®]**OMRON ELECTRONICS LLC**

One Commerce Drive
Schaumburg, IL 60173

847-843-7900

For US technical support or other inquiries:

800-556-6766**OMRON CANADA, INC.**

885 Milner Avenue
Toronto, Ontario M1B 5V8

416-286-6465**OMRON ON-LINE**

Global - <http://www.omron.com>
USA - <http://www.omron.com/oei>
Canada - <http://www.omron.ca>