

CK□M-CPU1□1

CSM CK M CPU1 1 DS E DITA 5 1

**Multi-axis control with
a fastest servo cycle time of 25 μ s/5
axes
enables precision machining**



CK□M-CPU1□1

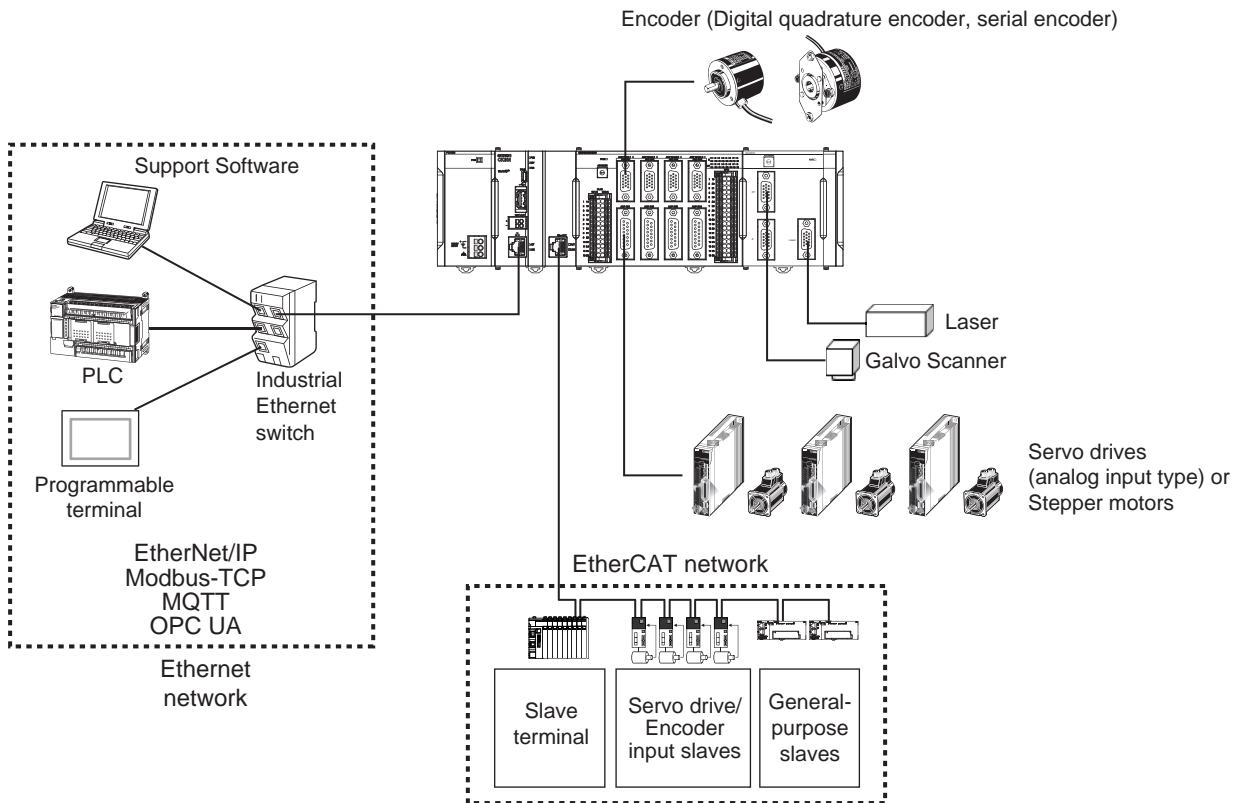
Features

- Up to 32 axes can be controlled by analog commands using eight CK3W-AX□□□□□□ Axial Interface Units and a CK5M expansion rack
- The CK5M-CPU141 controls up to 32 EtherCAT servo drives
- G-Code/ANSI C/original programming language
- EtherCAT slaves including vision and I/O can be connected
- Compact design (1/3 the size of conventional models*1)
- The EtherCAT network reduces wiring and machine size
- The OPC UA and MQTT communication are supported. (Firmware revision 2.8.1 or later.)

*1. Compared with UMAC from OMRON's Delta Tau Data Systems, Inc.

System Configurations

Basic System Configuration



*1. You will need this unit when you use the Galvo Scanner.

CK□W Unit Configuration (CPU Rack/Expansion Rack)

The following shows the configuration of CK□W Units.

CPU Rack

The CK3W Unit configuration in the CPU Rack consists of a Power Supply Unit, CPU Unit, CK3W-AX Unit, CK3W-MD Unit, CK3W-AD Unit, CK3W-ECS Unit, CK3W-GC Unit and End Cover.

Up to four CK3W Units (or up to two CK3W-AX Units) can be connected to the CPU Unit.

Expansion Rack

Up to one Expansion Rack can be added for the CK3M CPU Unit, and up to three Expansion Racks can be added for the CK5M CPU Unit.

To connect an Expansion Rack, use the Expansion Master Unit (CK3W-EXM01) and Expansion Slave Unit (CK5W-EXS01, CK3W-EXS02).

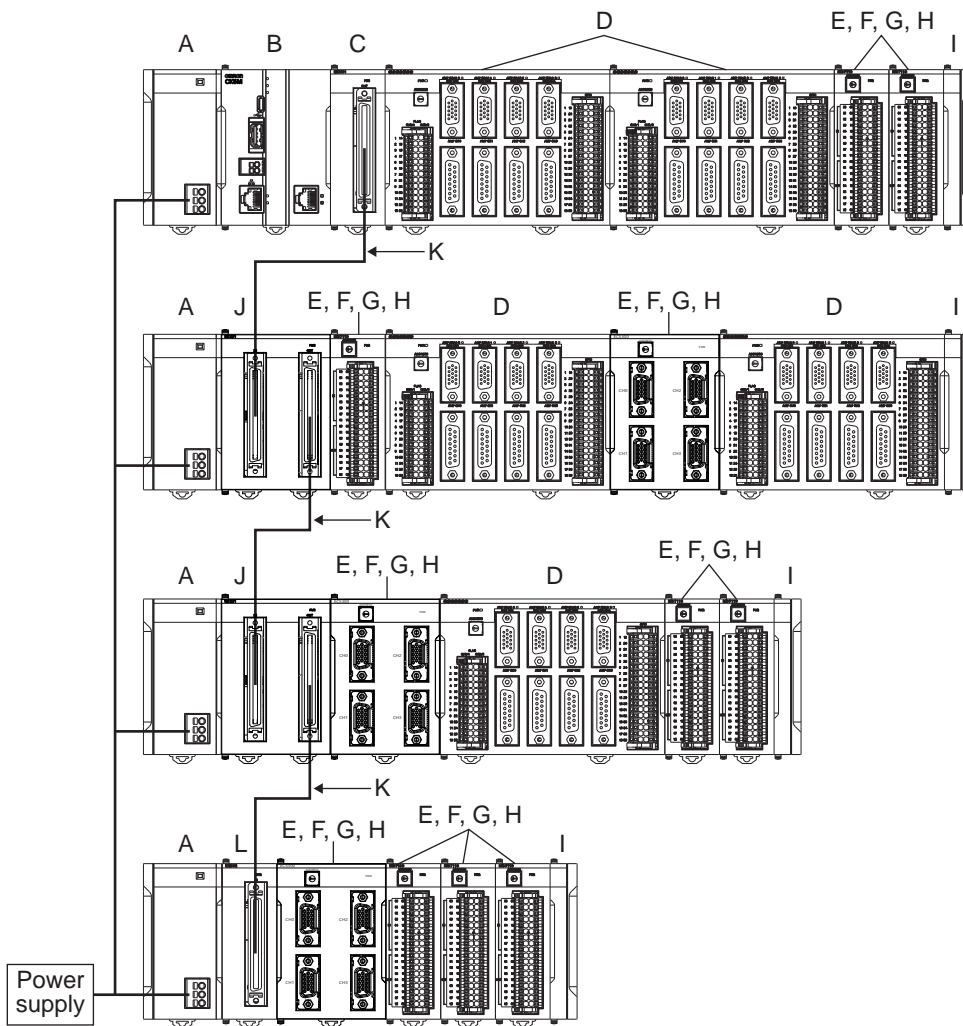
Up to four CK3W Units (or up to two CK3W-AX Units) can be installed to the Expansion Rack.

Connect the Expansion Master Unit (CK3W-EXM01) to the immediate right side of the CPU Unit. Connect the Expansion Slave Unit (CK5W-EXS01, CK3W-EXS02) to the immediate right side of the Power Supply Unit.

Unless the Expansion Master Unit (CK3W-EXM01) is connected adjacent to the right side of the CPU Unit, the Sys.Status register CK3WConfigErr becomes "5".

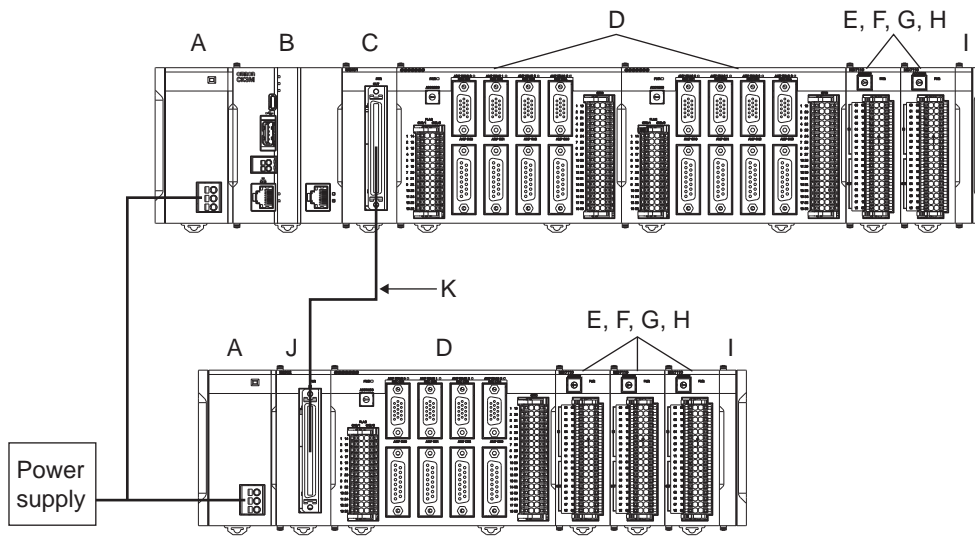
Use the CK3W-EXS02 for the Expansion Slave Unit farthest from the CPU Rack, and the CK5WEXS01 for the Expansion Slave Unit located in the middle. The CK5W-EXS01 can only be used with the CK5M CPU Unit. It can not be used with the CK3M CPU Unit.

For CK5M CPU Unit



Letter	Configuration	Remarks
A	Power Supply Unit	Input the 24 V power source. Always wire the CPU Rack and Expansion Rack to the same power supply.
B	CK5M-series CPU Unit	This is the Unit at the center of the motion control, which executes the motion program.
C	CK3W-EXM01	Expansion Master Unit. Connect this Unit adjacent to the right side of the CPU Unit in the Expansion Rack.
D	CK3W-AX Unit	Axis Interface Unit. For axis control, connect this to a Servo Drive and encoder.
E	CK3W-MD Unit	Digital I/O Unit. You can add 16 digital inputs and 16 digital outputs.
F	CK3W-AD Unit	Analog Input Unit. You can add 4 or 8 voltage inputs.
G	CK3W-ECS Unit	Encoder Input Unit. You can connect four channels of the serial encoder.
H	CK3W-GC Unit	Laser Interface Unit. You can connect the Galvo Scanner compatible with the interface of XY2-100 or SL2-100.
I	End Cover	Must be connected to the right end of the CPU Rack and Expansion Rack. The CPU Unit and the Expansion Slave Unit are each provided with one End Cover.
J	CK5W-EXS01	Expansion Slave Unit. Use this in the Expansion Rack located in the middle. Connect this Unit to the immediate right side of the Power Supply Unit. This unit can only be used with the CK5M CPU Unit. It can not be used with the CK3M CPU Unit.
K	Expansion cable	Use this cable to connect the Expansion Master Unit and Expansion Slave Unit. The cable length is 30 cm. Be sure to use the CK3W-CAX03A (30 cm) cable.
L	CK3W-EXS02	Expansion Slave Unit. Use this for the Expansion Rack farthest from the CPU Rack. Connect this Unit to the immediate right side of the Power Supply Unit.

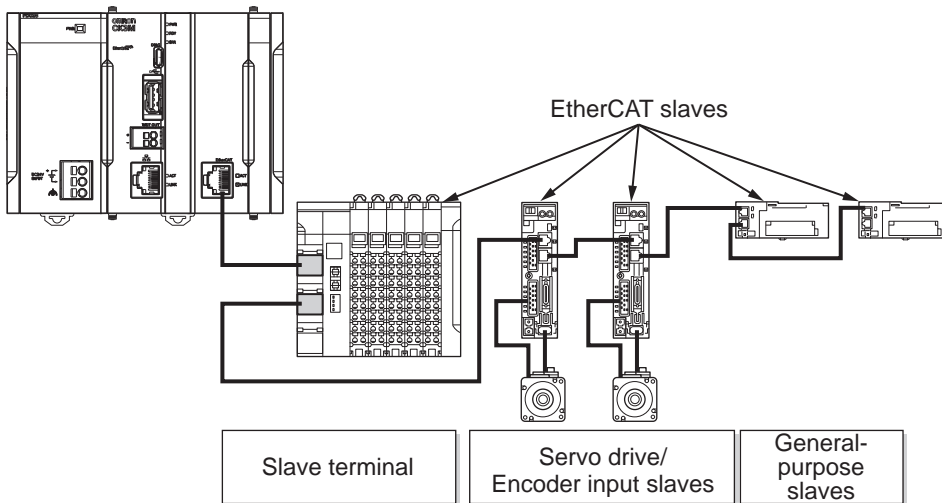
For CK3M CPU Unit



Letter	Configuration	Remarks
A	Power Supply Unit	Input the 24 V power source. Always wire the CPU Rack and Expansion Rack to the same power supply.
B	CK3M-series CPU Unit	This is the Unit at the center of the motion control, which executes the motion program.
C	CK3W-EXM01	Expansion Master Unit. Connect this Unit adjacent to the right side of the CPU Unit in the Expansion Rack.
D	CK3W-AX Unit	Axis Interface Unit. For axis control, connect this to a Servo Drive and encoder.
E	CK3W-MD Unit	Digital I/O Unit. You can add 16 digital inputs and 16 digital outputs.
F	CK3W-AD Unit	Analog Input Unit. You can add 4 or 8 voltage inputs.
G	CK3W-ECS Unit	Encoder Input Unit. You can connect four channels of the serial encoder.
H	CK3W-GC Unit	Laser Interface Unit. You can connect the Galvo Scanner compatible with the interface of XY2-100 or SL2-100.
I	End Cover	Must be connected to the right end of the CPU Rack and Expansion Rack. The CPU Unit and the Expansion Slave Unit are each provided with one End Cover.
J	CK3W-EXS02	Expansion Slave Unit. Use this in the Expansion Rack. Connect this Unit adjacent to the right side of the Power Supply Unit.
K	Expansion cable	Use this cable to connect the Expansion Master Unit and the Expansion Slave Unit. The cable length is 30 cm. Be sure to use the CK3W-CAX003A (30 cm) cable.

EtherCAT Network Configuration

The EtherCAT network configuration consists of a Power Supply Unit, CPU Unit, End Cover, and EtherCAT slaves. Use the built-in EtherCAT port on the CK□M-series CPU Unit to connect EtherCAT slaves.



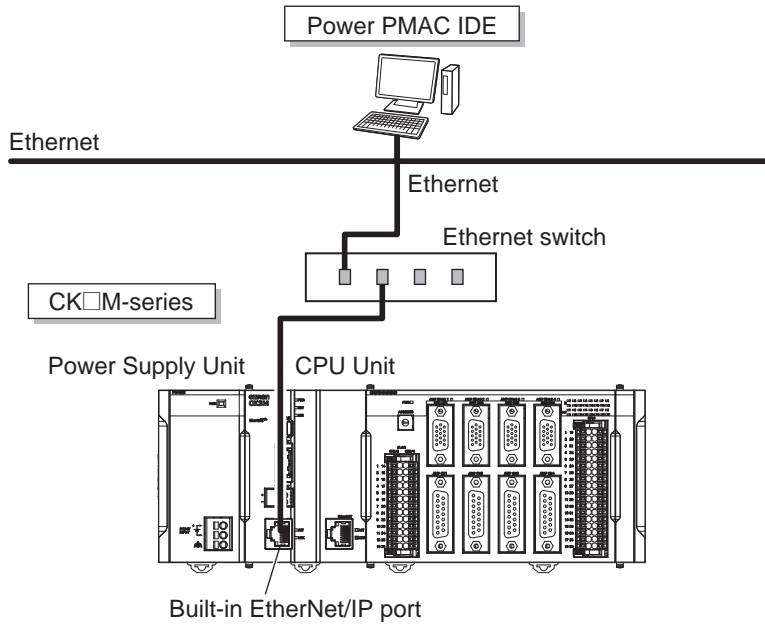
EtherCAT is synchronized with the servo cycle of the CK□M-series CPU Unit. This enables acquisition of the I/O data of slave terminals that are synchronized with the servo cycle.

Refer to the *CK3M/CK5M-series Programmable Multi-Axis Controller User's Manual Hardware* (Cat.No.O036) for information on using the NX-series EtherCAT Coupler Unit.

Network Configuration

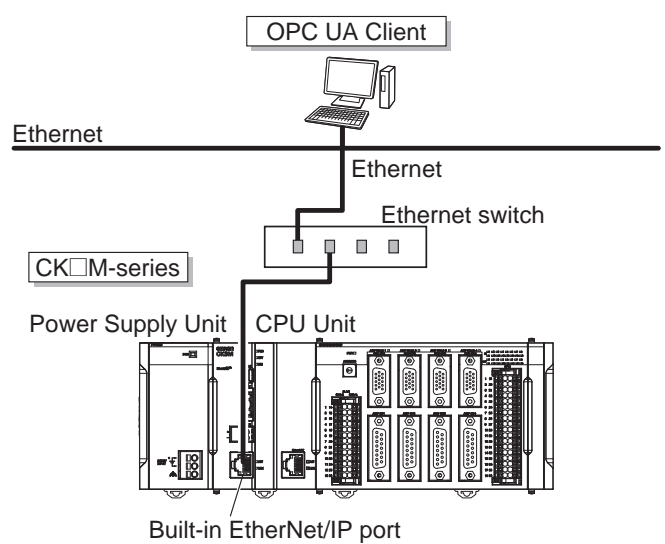
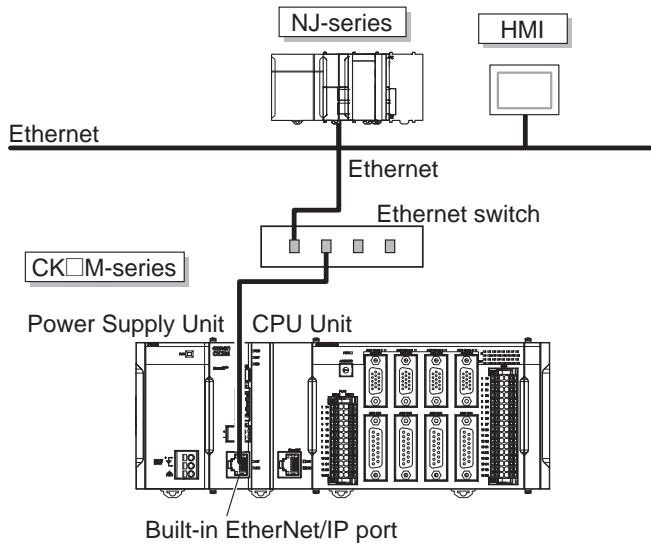
Connecting to the Power PMAC IDE

Connect the CK□M-series CPU Unit and the Power PMAC IDE through Ethernet.



Ethernet Network Configuration

The Ethernet communications port on the CK□M-series CPU Unit supports the EtherNet/IP, Modbus-TCP, OPC UA and MQTT protocols. It can be connected to devices such as PLCs and programmable terminals that support the EtherNet/IP protocol or the Modbus-TCP protocol. EtherNet/IP communications support targets only, so originators are required for the communications. If the originator in use is an NJ/NX-series CPU Unit, refer to the *NJ/NX-series CPU Unit Built-in EtherNet/IP Port User's Manual* (Cat. No. W506) for details. CPU Unit connection settings are required for EtherNet/IP communications. Refer to the *Power PMAC IDE User Manual* (Cat. No. O016) for details. OPC UA and MQTT can be connected to the Ethernet communication port of the CPU Unit, and variables in the CPU Unit can be read and written using OPC UA communication or MQTT communication.



Ordering Information

CK3M/CK5M CPU Unit

The models and outline of specifications are given below.

Product name	Memory capacity	Port	Max. no. of controlled axes at EtherCAT port	Model
CK3M CPU Unit *1	RAM: 1 GB Built-In flash memory: 2 GB *2 CPU: Dual core 1 GHz	EtherNet/IP: 1 port EtherCAT: None	-	CK3M-CPU101
		EtherNet/IP: 1 port EtherCAT: 1 port (DC sync)	4	CK3M-CPU111
		EtherNet/IP: 1 port EtherCAT: 1 port (DC sync)	8	CK3M-CPU121
CK5M CPU Unit *1	RAM: 2 GB Built-In flash memory: 4 GB CPU: Quad core 1.6 GHz	EtherNet/IP: 1 port (1 Gbps) EtherCAT: 1 port (DC sync)	16	CK5M-CPU131
		EtherNet/IP: 1 port (1 Gbps) EtherCAT: 1 port (DC sync)	32	CK5M-CPU141

*1. One CK3W-TER11 End Cover is provided with the CK□M-CPU1□1 CPU Unit.

*2. The flash memory of the CPU unit firmware revision 2.7 or earlier is 1 GB.

Support Software

The following table shows the Support Software used to configure, monitor, program, and debug the Motion Controller.

Configuration software	Application	How to Procure
Power PMAC IDE *1	This computer software is used to configure the Motion Controller, create user programs, and debug the programs.	This is free software. *2
Power PMAC-NC	Power PMAC-NC SDK This computer software is used to control working machines and other CNC machines with the Motion Controller. Use this software to customize HMI screens. The product contains extension source codes for customization.	This is non-free software. *2
	Power PMAC-NC Runtime This computer software is used to control working machines and other CNC machines with the Motion Controller. Use this software when you do not customize HMI screens.	This is non-free software. *2

*1. Refer to Version Information->Page 15 for the supported Power PMAC IDE versions.

*2. Contact your OMRON representative for information on how to procure.

Power Supply Units

The models and outline of specifications are given below.

Product name	Specifications	Model
Power Supply Unit	Rated output voltage: 5 VDC/24 VDC Maximum output power: 5 VDC 23 W, 24 VDC 55 W	CK3W-PD048

Axial Interface Units

The models and outline of specifications are given below.

Product name	Amplifier interface	Encoder interface	Output type	Model
Axis Interface Unit	DirectPWM output	Digital quadrature encoder/serial encoder	NPN type	CK3W-AX1313N
	DA output (Filtered PWM)			CK3W-AX1414N
	DA output (True DAC)			CK3W-AX1515N
	DirectPWM output	Sinusoidal encoder/serial encoder		CK3W-AX2323N
	DirectPWM output	Digital quadrature encoder/serial encoder	PNP type	CK3W-AX1313P
	DA output (Filtered PWM)			CK3W-AX1414P
	DA output (True DAC)			CK3W-AX1515P
	DirectPWM output	Sinusoidal encoder/serial encoder		CK3W-AX2323P

Digital I/O Units

Product name	Number of inputs	Number of outputs	I/O type	Model
Digital I/O Unit	16	16	NPN	CK3W-MD7110
			PNP	CK3W-MD7120

Analog Input Units

Product name	Input range	Number of inputs	Model
Analog Input Unit	-10 to 10 V	4	CK3W-AD2100
		8	CK3W-AD3100

Encoder Input Unit

Product name	Encoder type	Number of inputs	Protocol	Model
Encoder Input Unit	Serial encoder	4 channels	BiSS-C, Endat2.2, and R88M-1L□/-1M□ Motor built-in encoder	CK3W-ECS300

Laser Interface Unit

Product name	Communications method	Laser output	Model
Laser Interface Unit	XY2-100	PWM output	CK3W-GC1100
		PWM output, TCR output	CK3W-GC1200
	SL2-100	PWM output	CK3W-GC2100
		PWM output, TCR output	CK3W-GC2200

Expansion Master Units and Expansion Slave Units


Product name	Description	Model
Expansion Master Unit	Connect the Expansion Master Unit adjacent to the right side of the CPU unit	CK3W-EXM01
Expansion Slave Unit *1	Connect the Expansion Slave Unit adjacent to the right side of the power supply unit	CK5W-EXS01 *2 CK3W-EXS02
Expansion Cable	For connection between the Expansion Master Unit and the Expansion Slave Unit (0.3 m)	CK3W-CAX003A

*1. One CK3W-TER11 End Cover is provided with the Expansion Slave Unit.

*2. The CK5W-EXS01 can only be used with the CK5M CPU Unit. It can not be used with the CK3M CPU Unit.

EtherCAT Coupler Units

You can use NX Units via the EtherCAT Coupler Unit that is connected to the built-in EtherCAT port on the CPU Unit.

Product name	Communications cycle in DC Mode	Current consumption	Max. I/O power supply current	Model
 EtherCAT Coupler Unit *1	125 to 10,000 μ s *2	1.25 W max.	10 A	NX-ECC203

*1. One NX-END01 End Cover is provided with the EtherCAT Coupler Unit.

*2. This depends on the specifications of the EtherCAT master.

Switching Hubs





Product name	Specification	Manufacturer	Model
Industrial Switching Hub	5 ports. Current consumption: 0.07 A Power supply connector included	OMRON Corporation	W4S1-05D
	Contact the manufacturer.	Cisco Systems, Inc.	-
	Contact the manufacturer.	CONTEC Co., Ltd.	-
	Contact the manufacturer.	PHOENIX CONTACT	-

Recommended EtherCAT and Ethernet Communications Cables

Use a straight STP (shielded twisted-pair) cable of category 5 or higher with double shielding (aluminum tape and braiding) for EtherCAT. Use an STP (shielded twisted-pair) cable of category 5 or higher for Ethernet. Products for Ethernet 100BASE-TX described in the table below can be used for both 100BASE-TX and 10BASE-T.

Cable with Connectors

Cables with Connectors (For EtherCAT only)


Item	Appearance	Recommended manufacturer	Cable length (m)	Model
Cable with Connectors on Both Ends (RJ45/RJ45) Standard RJ45 plugs ^{*1} Wire gauge and number of pairs: AWG26, 4-pair cable Cable sheath material: PUR Cable color: Yellow ^{*2} EtherCAT/ EtherNet/IP (10BASE/100BASE)		OMRON	0.3	XS6W-6PUR8SS30CM-YF
			0.5	XS6W-6PUR8SS50CM-YF
			1	XS6W-6PUR8SS100CM-YF
			2	XS6W-6PUR8SS200CM-YF
			3	XS6W-6PUR8SS300CM-YF
			5	XS6W-6PUR8SS500CM-YF
Cable with Connectors on Both Ends (RJ45/RJ45) Rugged RJ45 plugs ^{*1} Wire gauge and number of pairs: AWG22, 2-pair cable Cable color: Light blue EtherCAT/ EtherNet/IP (10BASE/100BASE)		OMRON	0.3	XS5W-T421-AMD-K
			0.5	XS5W-T421-BMD-K
			1	XS5W-T421-CMD-K
			2	XS5W-T421-DMD-K
			5	XS5W-T421-GMD-K
			10	XS5W-T421-JMD-K
Cable with Connectors on Both Ends (M12 Straight/M12 Straight) Shield strengthening connector cable ^{*3} M12/Smartclick connectors Wire gauge and number of pairs: AWG22, 2-pair cable Cable color: Black EtherCAT/ EtherNet/IP (10BASE/100BASE)		OMRON	0.5	XS5W-T421-BM2-SS
			1	XS5W-T421-CM2-SS
			2	XS5W-T421-DM2-SS
			3	XS5W-T421-EM2-SS
			5	XS5W-T421-GM2-SS
			10	XS5W-T421-JM2-SS
Cable with Connectors on Both Ends (M12 Straight/RJ45) Shield strengthening connector cable ^{*3} M12/Smartclick connector and rugged RJ45 plug Wire gauge and number of pairs: AWG22, 2-pair cable Cable color: Black EtherCAT/ EtherNet/IP (10BASE/100BASE)		OMRON	0.5	XS5W-T421-BMC-SS
			1	XS5W-T421-CMC-SS
			2	XS5W-T421-DMC-SS
			3	XS5W-T421-EMC-SS
			5	XS5W-T421-GMC-SS
			10	XS5W-T421-JMC-SS

*1. Cables with standard RJ45 plugs are available in the following lengths: 0.2 m, 0.3 m, 0.5 m, 1 m, 1.5 m, 2 m, 3 m, 5 m, 7.5 m, 10 m, 15 m, 20 m. Cables with rugged RJ45 plugs are available in the following lengths: 0.3 m, 0.5 m, 1 m, 2 m, 3 m, 5 m, 10 m, 15 m. For details, refer to the *Industrial Ethernet Connectors Catalog* (Cat. No. G019).

*2. Cables colors are available in yellow, green, and blue.

*3. For details, contact your OMRON representative.

Cables/Connectors

Product name		Recommended manufacturer	Model
Products for EtherCAT or Ethernet (1000BASE-T/100BASE-TX)	Wire gauge and number of pairs: AWG24, 4-pair cable	Cable	Kuramo Electric Co. JMACS Japan Co., Ltd.
		RJ45 Connector	Panduit Corporation
Products for EtherCAT or Ethernet (100BASE-TX)	Wire gauge and number of pairs: AWG22, 2-pair cable	Cable	Kuramo Electric Co. JMACS Japan Co., Ltd.
		RJ45 Assembly Connector 	OMRON Corporation
			KETH-SB *1 IETP-SB *1 MPS588-C *1 KETH-PSB-OMR *2 PNET/B *2 XS6G-T421-1 *2

*1. We recommend you to use the Cable for EtherCAT or Ethernet marked with *1 and the RJ45 Connector marked with *1 together.

*2. We recommend you to use the Cable for EtherCAT or Ethernet marked with *2 and the RJ45 Assembly Connector marked with *2 together.

Note: Connect both ends of cable shielded wires to the connector hoods.

Optional Products/Maintenance Products/DIN Track Accessories

Product name		Model
EtherCAT Junction Slave *1	3 ports. Power supply voltage: 20.4 to 28.8 VDC (24 VDC -15 to +20%). Current consumption: 0.08 A	GX-JC03
	6 ports. Power supply voltage: 20.4 to 28.8 VDC (24 VDC -15 to +20%). Current consumption: 0.17 A	GX-JC06
USB Flash Drive	OMRON USB Flash Drive (2 GB)	FZ-MEM2G
End Cover *2 (for CK□M-CPU1□1 CPU Unit)	Must be connected to the right end of the CPU rack and expansion rack. The CPU unit and the expansion slave unit are each provided with one end cover.	CK3W-TER11
DIN Track	Length: 0.5 m. Height: 7.3 mm	PFP-50N
	Length: 1 m. Height: 7.3 mm	PFP-100N
	Length: 1 m. Height: 16 mm	PFP-100N2
End Plate	Stopper to prevent units from moving on the DIN track. The minimum order quantity is 10 units.	PFP-M

*1. EtherCAT junction slaves cannot be used for EtherNet/IP and Ethernet.

*2. Use the CK3W-TER11 End Cover only for the CK□M-CPU1□1 CPU Unit or CK5W-EXS01/CK3W-EXS02 Expansion Slave Unit.

General Specifications

This section describes the Motion Controller specifications.

Item		Specification
Enclosure		Mounted in a panel
Grounding Method		Ground to less than 100 Ω
Operating Environment	Ambient Operating Temperature	0 to 55°C
	Ambient Operating Humidity	10% to 95% (with no condensation or icing)
	Atmosphere	Must be free of corrosive gases.
	Ambient Storage Temperature	-25 to 70°C (with no condensation or icing)
	Vibration Resistance	Conforms to IEC 60068-2-6. 5 to 8.4 Hz with 3.5-mm amplitude, 8.4 to 150 Hz, acceleration of 9.8 m/s ² 100 min each in X, Y, and Z directions (10 sweeps of 10 min each = 100 min total)
Shock Resistance		Conforms to IEC 60068-2-27. 147 m/s ² , 3 times each in X, Y, and Z directions
Insulation Resistance		20 MΩ min. between isolated circuits (at 100 VDC)
Dielectric Strength		510 VAC between isolated circuits for 1 minute with a leakage current of 5 mA max.
Applicable Standards		cULus, EU: EN 61326, RCM, KC

Performance Specifications

The performance specifications are shown below.

Item			CK3M-CPU101	CK3M-CPU111	CK3M-CPU121	CK5M-CPU131	CK5M-CPU141
Memory			Main memory: 1 GB Built-In Flash Memory: 2 GB *1			Main memory: 2 GB Built-In Flash Memory: 4 GB	
Number of connectable CK3W Units (when using Expansion Rack)			8 Units max. Or 4 CK3W-AX Units max.			16 Units max. Or 8 CK3W-AX Units max.	
External connection terminals			No EtherCAT	For EtherCAT communications RJ45 × 1 (Shield supported)			
			For Ethernet communications RJ45 × 1 (Shield supported)				
			USB port For external memory connection, USB 2.0 host × 1 Type A				
Motion control	CK3W-AX Unit	Maximum number of controlled axes	16 axes (when using four CK3W-AX Units)			32 axes (when using eight CK3W-AX Unit Units)	
		Control method	Speed and torque control using analog output Stepper motor control using pulse output Commutation control using DirectPWM output				
	EtherCAT	Maximum number of controlled axes	None	4 axes	8 axes	16 axes	32 axes
		Communications cycle		250 μs min.		62.5 μs min.	
Control method		Issuing control commands using EtherCAT					
EtherCAT communications specifications	Communications protocol		None	EtherCAT protocol			
	Baud rate			100 Mbps			
	Physical layer			100BASE-TX (IEEE 802.3)			
	Topology			Line, daisy chain, branching, and ring *2			
	Transmission media			Twisted-pair cable of category 5 or higher (doubleshielded cable with aluminum tape and braiding)			
	Transmission distance			Distance between nodes: 100 m or less			
	Maximum number of slaves			32		64	
	Range of node addresses that can be set			1 to 32		1 to 64	
Ethernet communications specifications	Baud rate		100 Mbps			1 Gbps/100 Mbps	
	Physical layer		100BASE-TX (IEEE 802.3)			1000BASE-T 100BASE-TX (IEEE 802.3)	
	Frame length		1,514 bytes max.				
	Media access method		CSMA/CD				
	Modulation		Baseband				
	Topology		Star				
	Transmission media		Twisted-pair cable of category 5, 5e, or higher (shielded cable) *3				
	Maximum transmission distance between Ethernet switch and node		100 m				
	Maximum number of cascade connections		There are no restrictions if an Ethernet switch is used.				
	EtherNet/IP tag data link (cyclic communications) *4	Number of connections		32			
		Requested packet interval (RPI)		1 to 1,000 ms (0.5 ms units)			
		Allowed communications bandwidth per Unit		3,200 pps *5			12,000 pps *5
IO connection size		Input: 504 bytes max. Output: 504 bytes max.					
EtherNet/IP CIP message service *4		UCMM (unconnected message)		Number of servers that can perform communications simultaneously: 32			
EtherNet/IP conformance test		CT17 compliant			CT18 compliant		

Programmable Multi-Axis Controller CK3M/CK5M CPU Unit

Item		CK3M-CPU101	CK3M-CPU111	CK3M-CPU121	CK5M-CPU131	CK5M-CPU141
OPC UA *6	Connection ports	OPC UA Server can be used simultaneously standard with PMAC Ethernet communications				
	OPC UA Function	OPC UA Server				
	Transport Category	HTTPS UA-Binary UA-TCP UA-SC UA-Binary				
	Supported Server Category	Core 2017 Server Facet Embedded 2017 UA Server Profile Embedded DataChange Subscription Server Facet Event Subscription Server Facet Micro Embedded Device 2017 Server Standard 2017 Server Facet Standard DataChange Subscription 2017 Server Facet				
	Endpoint URL Server	opc.tcp://[IP address]: [port No.] By default, the following URL is used. opc.tcp://192.168.0.200:4840/				
	Maximum number of clients (Secure Channels)	10				
	Maximum number of subscriptions	200				
	Maximum number of monitored variables per server	3,000				
	Permissible Variables that can be published	Pointer Variables (M), Global Variables (P), EtherCAT IO Data Variables (Ecat[.].Io[.].Data)				
	OPC UA security mode and policy	Allowable security methods can be specified from the following (multiple specifications possible): • Both signature and encryption required: SignAndEncrypt Signature and encryption algorithm Signing and encryption algorithms: Basic256-Sha256/Basic256/Basic128Rsa15 (multiple specifications possible) • Only signature required: Sign Signature algorithm Signature algorithm: Basic256Sha256/Basic256/Basic128Rsa15 (multiple specifications possible) • Neither signature nor encryption required				
	Application authentication	X.509				
User authentication	The following can be set: • User name and Password • Anonymous					
USB port	Physical layer	USB 2.0 compliant, type A connector. Output voltage: 5 V, 0.5 A max.				
	Transmission distance	3 m max.				
Current consumption	5 VDC: 7.2 W max. (including End Cover)	5 VDC: 7.8 W max. (including End Cover)	5 VDC: 7.2 W max, 24 VDC: 3.3 W max. (including End Cover)			
Dimensions (height × depth × width)	90(H)/80(D)/63.2(W)					
Weight (including End Cover)	220 g max.	230 g max.	250 g max.			

*1. The flash memory of the CPU unit firmware revision 2.7 or earlier is 1 GB.

*2. A ring topology is available for CPU Units with PMAC firmware revision version 2.7.0 or later.

*3. Be sure to use a shielded cable for EtherNet/IP communications. When you are using communication at 1 Gbps, be sure to use a cable of category 5e or higher.

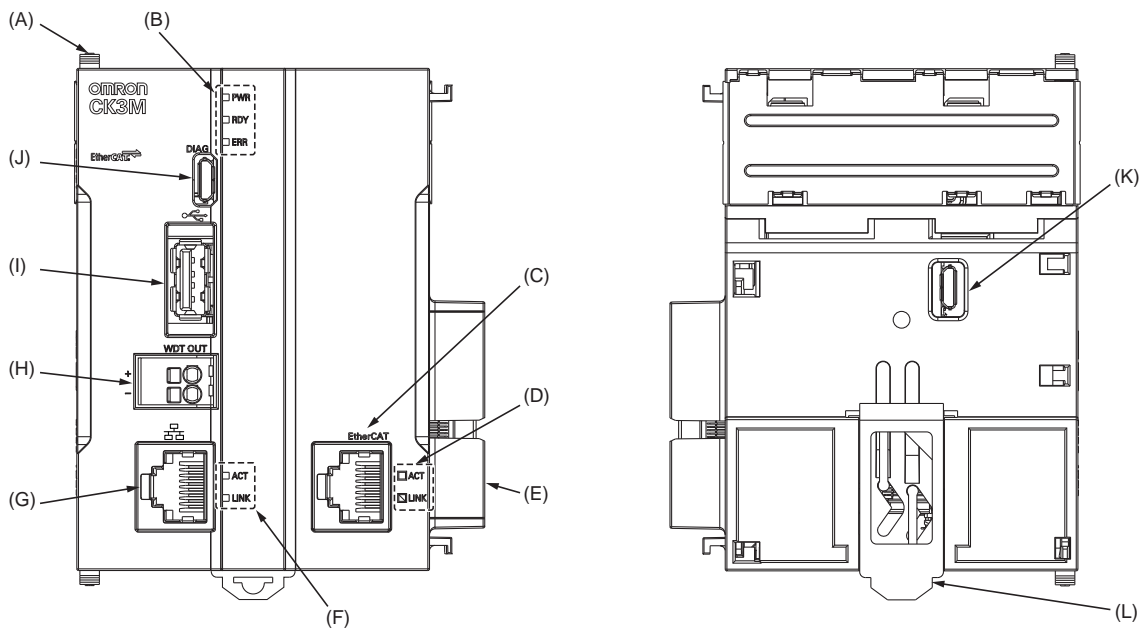
*4. EtherNet/IP is available only for targets and not available for originators. EtherNet/IP is available only for CPU Units with PMAC firmware revision version 2.6.0 or later whose date of production is September 8th, 2020 or later (Lot number 08920 and later). Use Power PMAC IDE Ver.4.4.1 or a later version.

*5. Represents Packet Per Second and indicates the number of sent or received packets that can be processed in a second.

*6. The OPC UA server functions are supported with firmware revision 2.8.1 or later.

Part Names and Functions

CPU Unit



Letter	Name	Function
A	Slider	Holds the Units together.
B	CPU Unit operation indicators	Shows the operation status of the CPU Unit using multiple indicators.
C	EtherCAT communications connector	Connects to an EtherCAT network communications cable.
D	EtherCAT communications port operation indicators	Shows the operation status of EtherCAT.
E	Unit connector	Connector that connects to the Unit.
F	Ethernet communications port operation indicators	Shows the operation status of Ethernet.
G	Ethernet communications connector	Connects to an Ethernet network communications cable.
H	Watchdog output terminal block	Normally in ON state, and switches to OFF when watchdog is activated.
I	USB 2.0 connector	USB 2.0 interface connector. Connects the USB memory.
J	USB connector for maintenance	Do not use.
K	USB connector for maintenance	Do not use.
L	DIN Track mounting hook	Used to mount the Unit to a DIN Track.

Version Information

CK3W Units and Supported Versions of CPU Units and Power PMAC IDE

This section provides version information that you need to know when connecting a CK3W Unit to a CPU Unit and PowerPMAC IDE. The table below specifies the correspondence between each CK3W Unit and the versions of CPU Unit and Power PMAC IDE.

Be sure to use the version combinations listed in the table below.

CK3W Unit	Supported version	
	CPU Unit's PMAC firmware revision	Power PMAC IDE version
CK3W-AX1414□/-AX1515□	All versions supported	Ver. 4.2 or later
CK3W-AX1313□/-AX2323□	Ver. 2.5.2 or later	Ver. 4.3 or later
CK3W-MD7110/-MD7120	Ver. 2.5.2 or later	Ver. 4.3 or later
CK3W-AD2100/-AD3100	Ver. 2.5.2 or later	Ver. 4.3 or later
CK3W-EXM01/-EXS02	Ver. 2.5.2 or later	Ver. 4.3 or later
CK3W-ECS300	Ver.2.6.1 or later	Ver.4.5 or later
CK3W-GC1100 CK3W-GC1200 CK3W-GC2100 CK3W-GC2200	Ver.2.6.1 or later	Ver.4.5 or later

Note: 1. Use the following versions of Power PMAC IDE.

- a) When using the CK5M CPU Unit, use Power PMAC IDE Ver. 4.6.1 or higher.
- b) When using the CK3M CPU Unit, use Power PMAC IDE Ver. 4 or higher.
2. To use the CPU Unit with PMAC firmware revision Ver.2.7 or later, use Power PMAC IDE Ver.4.5.2 or higher.
3. To use the CPU Unit with PMAC firmware revision Ver.2.8 or later, use Power PMAC IDE Ver.4.6.4 or higher.

Restrictions on Using the NX-series EtherCAT Coupler Unit

When OMRON NX-series EtherCAT Coupler Units are used as slaves with the CPU Unit as the EtherCAT master, the following models and unit versions of EtherCAT Coupler Units can be connected.

Model	Unit version	Connectable/Unconnectable
NX-ECC203	Ver.1.4 or later	Connectable
	Ver.1.3 or earlier	
NX-ECC202	All versions	Unconnectable
NX-ECC201	All versions	

Main function supported by each firmware revision

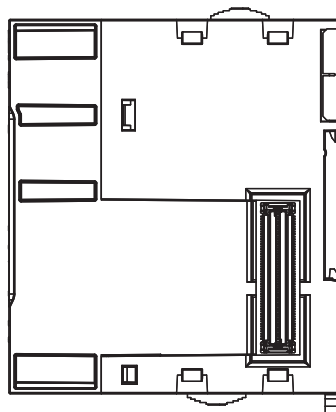
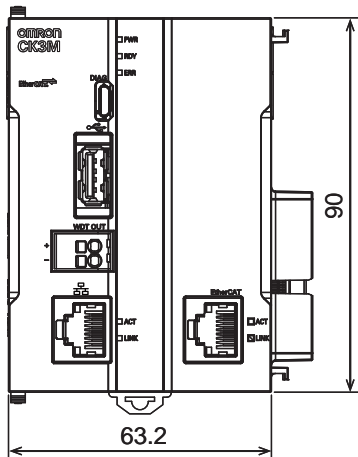
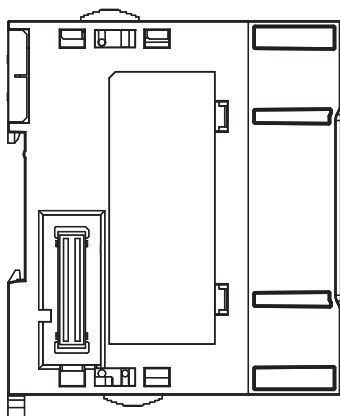
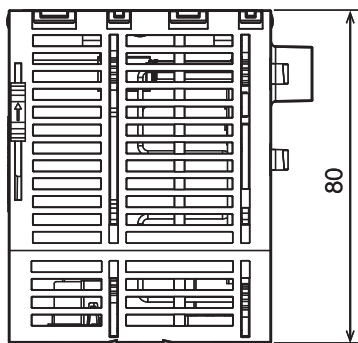
Firmware revision	Main supported function
2.4.0	CK3M-series CPU Unit initial version
2.6.0	EtherNet/IP target function
2.7.0	EtherCAT ring wiring
2.8.1	Enhanced security. The OPC UA and MQTT communication are supported.

Refer to *FIRMWARE UPDATE HISTORY* in the *Power PMAC Software Reference Manual* (Cat. No.O015) for details of the supported functions.

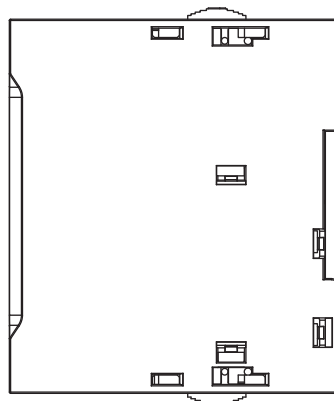
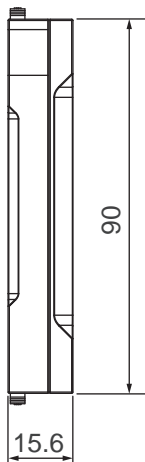
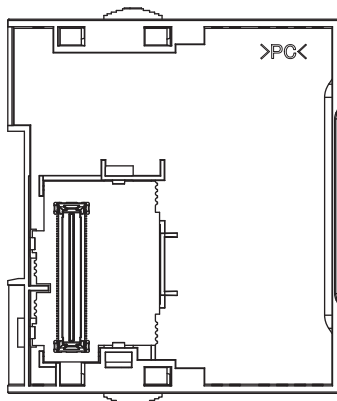
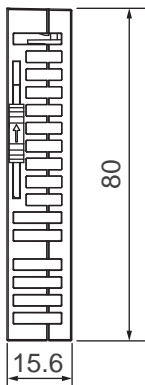
Dimensions

(Unit: mm)

CPU Unit



End Cover



Power Supply Unit

Model	Unit width (mm)
CK3W-PD048	45

CPU Unit

Model	Unit width (mm)
CK5M-CPU131	63.2
CK5M-CPU141	
CK3M-CPU101	
CK3M-CPU111	
CK3M-CPU121	

End Cover

Model	Unit width (mm)
CK3W-TER11	15.6

Axis Interface Unit

Model	Unit width (mm)
CK3W-AX1313N	130
CK3W-AX1414N	
CK3W-AX1515N	
CK3W-AX2323N	
CK3W-AX1313P	
CK3W-AX1414P	
CK3W-AX1515P	
CK3W-AX2323P	

Digital I/O Unit, Analog Input Unit, Expansion Master Unit, and Expansion Slave Unit

Model	Unit width (mm)
CK3W-MD7110	31.6
CK3W-MD7120	
CK3W-AD2100	
CK3W-AD3100	

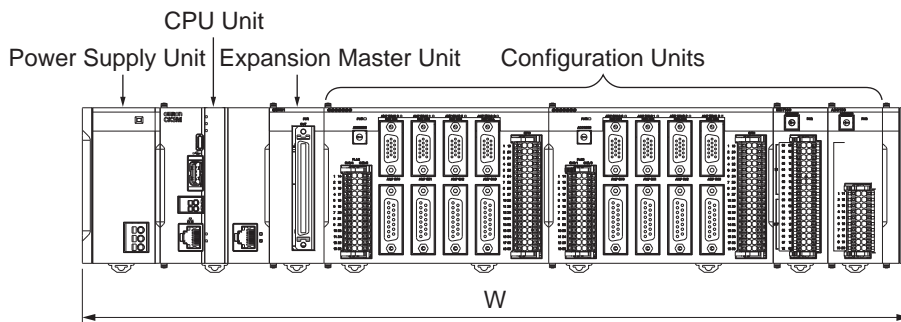
Encoder Input Unit / Laser Interface Unit

Model	Unit width (mm)
CK3W-ECS300	63.2
CK3W-GC1100	
CK3W-GC1200	
CK3W-GC2100	
CK3W-GC2200	

Expansion Master Unit and Expansion Slave Unit

Model	Unit width (mm)
CK3W-EXM01	31.6
CK5W-EXS01	63.2
CK3W-EXS02	31.6

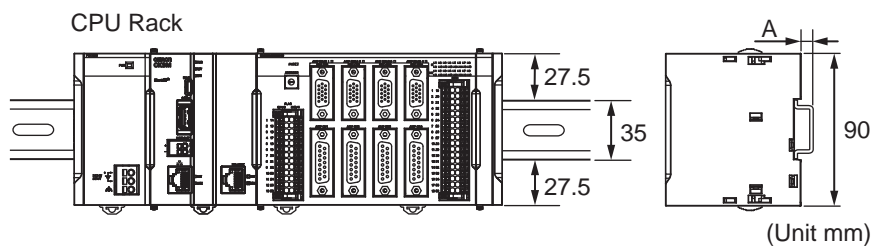
Design Example for Width W



Name	Model	Unit width (mm)	Qty	Subtotal unit width (mm)
Power Supply Unit	CK3W-PD048	45	1	45
CPU Unit	CK3M-CPU101	63.2	1	63.2
Expansion Master Unit	CK3W-EXM01	31.6	1	31.6
Axis Interface Unit	CK3W-AX1414N	130	2	260
Digital I/O Unit	CK3W-MD7110	31.6	1	31.6
Analog Input Unit	CK3W-AD2100	31.6	1	31.6
End Cover	CK3W-TER11	15.6	1	15.6
Total W = 45 + 63.2 + 31.6 + 130 × 2 + 31.6 + 31.6 + 15.6				478.6

Installation Dimensions

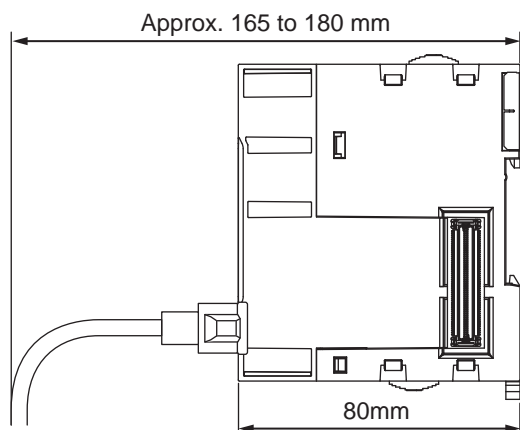
Installation Dimensions



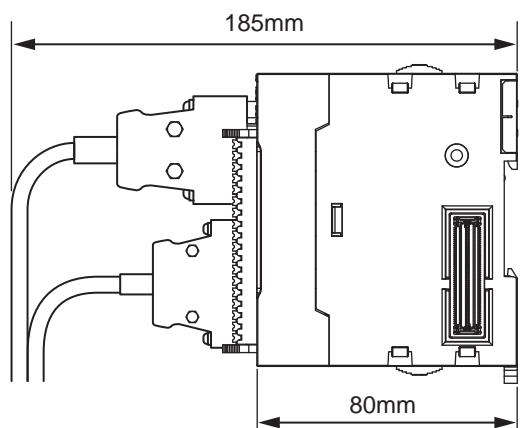
DIN Track	A (mm)
PFP-100N2	16
PFP-100N	7.3
PFP-50N	7.3

Installation Height

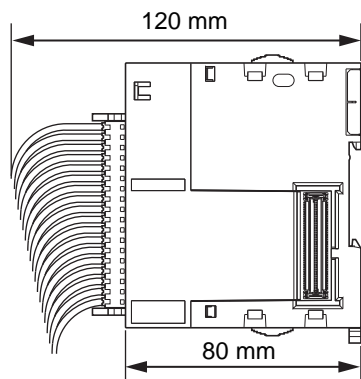
For CK□M-series CPU Unit



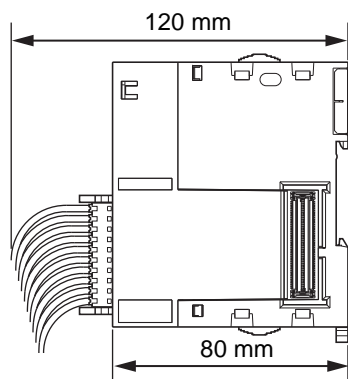
For CK3W-AX Unit



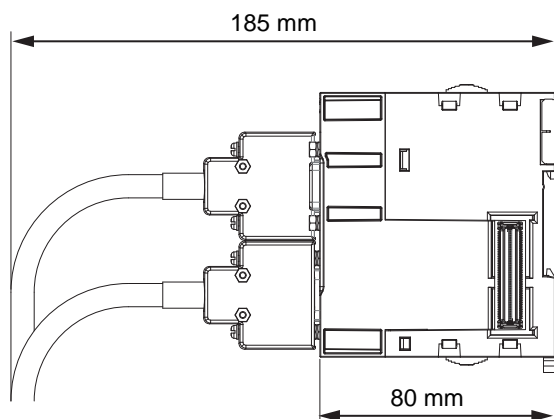
For CK3W-MD Unit



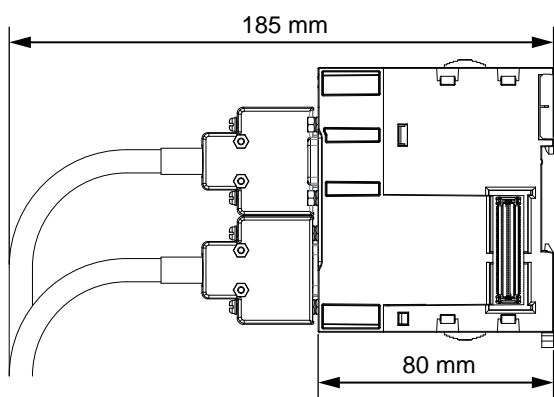
For CK3W-AD Unit



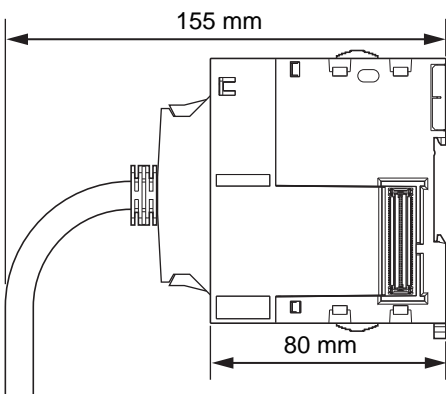
For CK3W-ECS Unit



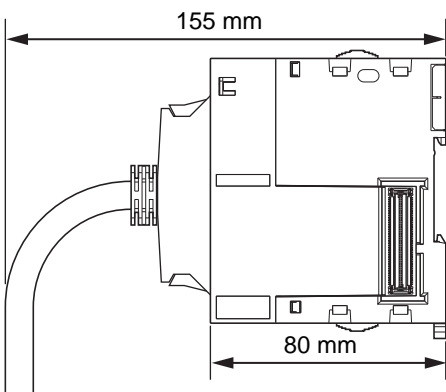
For CK3W-GC Unit



For CK3W-EXM01 and CK3W-EXS02



For CK5W-EXS01



Related Manuals

The following manuals are related. Use these manuals for reference. Contact your OMRON representative for information on how to procure these manuals.

Manual name	Cat. No.	Application	Description
CK3M/CK5M-series Programmable Multi-Axis Controller Hardware User's Manual	O036	Learning the basic specifications of the CK3M/CK5M-series Programmable Multi-Axis Controller, including introductory information, design, installation, and maintenance. Mainly hardware information is provided.	An introduction to the entire CK3M/CK5M-series system is provided along with the following information. <ul style="list-style-type: none"> • Features and system configuration • Introduction • Part names and functions • General specifications • Installation and wiring • Maintenance and inspection
Power PMAC User's Manual	O014	Learning the features and usage examples of the Motion Controller.	The following information is provided on the Motion Controller. <ul style="list-style-type: none"> • Basic functions • Setup examples • Programming examples
Power PMAC Software Reference Manual	O015	Learning how to program the Motion Controller.	The following information is provided on the Motion Controller. <ul style="list-style-type: none"> • Details of commands • Details of data structure
Power PMAC IDE User Manual	O016	Learning how to operate Power PMAC IDE, the integrated development environment of the Controller.	Describes the operating procedures of Power PMAC IDE, and examples of how to start the system.
Power PMAC-NC Quick Start Manual	O017	Briefly understanding the basic usage of Power PMAC-NC.	Describes the Quick setup procedure to run Power PMAC-NC on a desktop PC by showing some examples.
Power PMAC-NC .ini Configuration Manual	O018	Configuring an application for CNC devices by using Power PMAC-NC.	Describes how to set up <i>PowerPmacNC.ini</i> , the setup data file to be loaded when Power PMAC-NC starts.
Power PMAC-NC Software User Manual	O019	Learning about usage and features of Power PMAC-NC, Support Software required to use the Controller for CNC devices.	The following information is provided on Power PMAC-NC. <ul style="list-style-type: none"> • How to use the software • Features included in the software • Features that can be customized
Power PMAC-NC Mill G-Code Manual	O020	Creating programs for CNC devices by using Power PMAC-NC.	Describes the basic G-code set that can be used for Power PMAC-NC, and relevant instructions.

EtherCAT® is a registered trademark and patented technology, licensed by Beckhoff Automation GmbH, Germany.

EtherNet/IP™ is trademarks of ODVA.

Other company names and product names in this document are the trademarks or registered trademarks of their respective companies.

The product photographs and figures that are used in this catalog may vary somewhat from the actual products.

PMAC is an abbreviation for Programmable Multi Axis Controller.

Terms and Conditions Agreement

Read and understand this catalog.

Please read and understand this catalog before purchasing the products. Please consult your OMRON representative if you have any questions or comments.

Warranties.

(a) Exclusive Warranty. Omron's exclusive warranty is that the Products will be free from defects in materials and workmanship for a period of twelve months from the date of sale by Omron (or such other period expressed in writing by Omron). Omron disclaims all other warranties, express or implied.

(b) Limitations. OMRON MAKES NO WARRANTY OR REPRESENTATION, EXPRESS OR IMPLIED, ABOUT NON-INFRINGEMENT, MERCHANTABILITY OR FITNESS FOR A PARTICULAR PURPOSE OF THE PRODUCTS. BUYER ACKNOWLEDGES THAT IT ALONE HAS DETERMINED THAT THE PRODUCTS WILL SUITABLY MEET THE REQUIREMENTS OF THEIR INTENDED USE.

Omron further disclaims all warranties and responsibility of any type for claims or expenses based on infringement by the Products or otherwise of any intellectual property right. (c) Buyer Remedy. Omron's sole obligation hereunder shall be, at Omron's election, to (i) replace (in the form originally shipped with Buyer responsible for labor charges for removal or replacement thereof) the non-complying Product, (ii) repair the non-complying Product, or (iii) repay or credit Buyer an amount equal to the purchase price of the non-complying Product; provided that in no event shall Omron be responsible for warranty, repair, indemnity or any other claims or expenses regarding the Products unless Omron's analysis confirms that the Products were properly handled, stored, installed and maintained and not subject to contamination, abuse, misuse or inappropriate modification. Return of any Products by Buyer must be approved in writing by Omron before shipment. Omron Companies shall not be liable for the suitability or unsuitability or the results from the use of Products in combination with any electrical or electronic components, circuits, system assemblies or any other materials or substances or environments. Any advice, recommendations or information given orally or in writing, are not to be construed as an amendment or addition to the above warranty.

See <http://www.omron.com/global/> or contact your Omron representative for published information.

Limitation on Liability: Etc.

OMRON COMPANIES SHALL NOT BE LIABLE FOR SPECIAL, INDIRECT, INCIDENTAL, OR CONSEQUENTIAL DAMAGES, LOSS OF PROFITS OR PRODUCTION OR COMMERCIAL LOSS IN ANY WAY CONNECTED WITH THE PRODUCTS, WHETHER SUCH CLAIM IS BASED IN CONTRACT, WARRANTY, NEGLIGENCE OR STRICT LIABILITY.

Further, in no event shall liability of Omron Companies exceed the individual price of the Product on which liability is asserted.

Suitability of Use.

Omron Companies shall not be responsible for conformity with any standards, codes or regulations which apply to the combination of the Product in the Buyer's application or use of the Product. At Buyer's request, Omron will provide applicable third party certification documents identifying ratings and limitations of use which apply to the Product. This information by itself is not sufficient for a complete determination of the suitability of the Product in combination with the end product, machine, system, or other application or use. Buyer shall be solely responsible for determining appropriateness of the particular Product with respect to Buyer's application, product or system. Buyer shall take application responsibility in all cases.

NEVER USE THE PRODUCT FOR AN APPLICATION INVOLVING SERIOUS RISK TO LIFE OR PROPERTY OR IN LARGE QUANTITIES WITHOUT ENSURING THAT THE SYSTEM AS A WHOLE HAS BEEN DESIGNED TO ADDRESS THE RISKS, AND THAT THE OMRON PRODUCT(S) IS PROPERLY RATED AND INSTALLED FOR THE INTENDED USE WITHIN THE OVERALL EQUIPMENT OR SYSTEM.

Programmable Products.

Omron Companies shall not be responsible for the user's programming of a programmable Product, or any consequence thereof.

Performance Data.

Data presented in Omron Company websites, catalogs and other materials is provided as a guide for the user in determining suitability and does not constitute a warranty. It may represent the result of Omron's test conditions, and the user must correlate it to actual application requirements. Actual performance is subject to the Omron's Warranty and Limitations of Liability.

Change in Specifications.

Product specifications and accessories may be changed at any time based on improvements and other reasons. It is our practice to change part numbers when published ratings or features are changed, or when significant construction changes are made. However, some specifications of the Product may be changed without any notice. When in doubt, special part numbers may be assigned to fix or establish key specifications for your application. Please consult with your Omron's representative at any time to confirm actual specifications of purchased Product.

Errors and Omissions.

Information presented by Omron Companies has been checked and is believed to be accurate; however, no responsibility is assumed for clerical, typographical or proofreading errors or omissions.